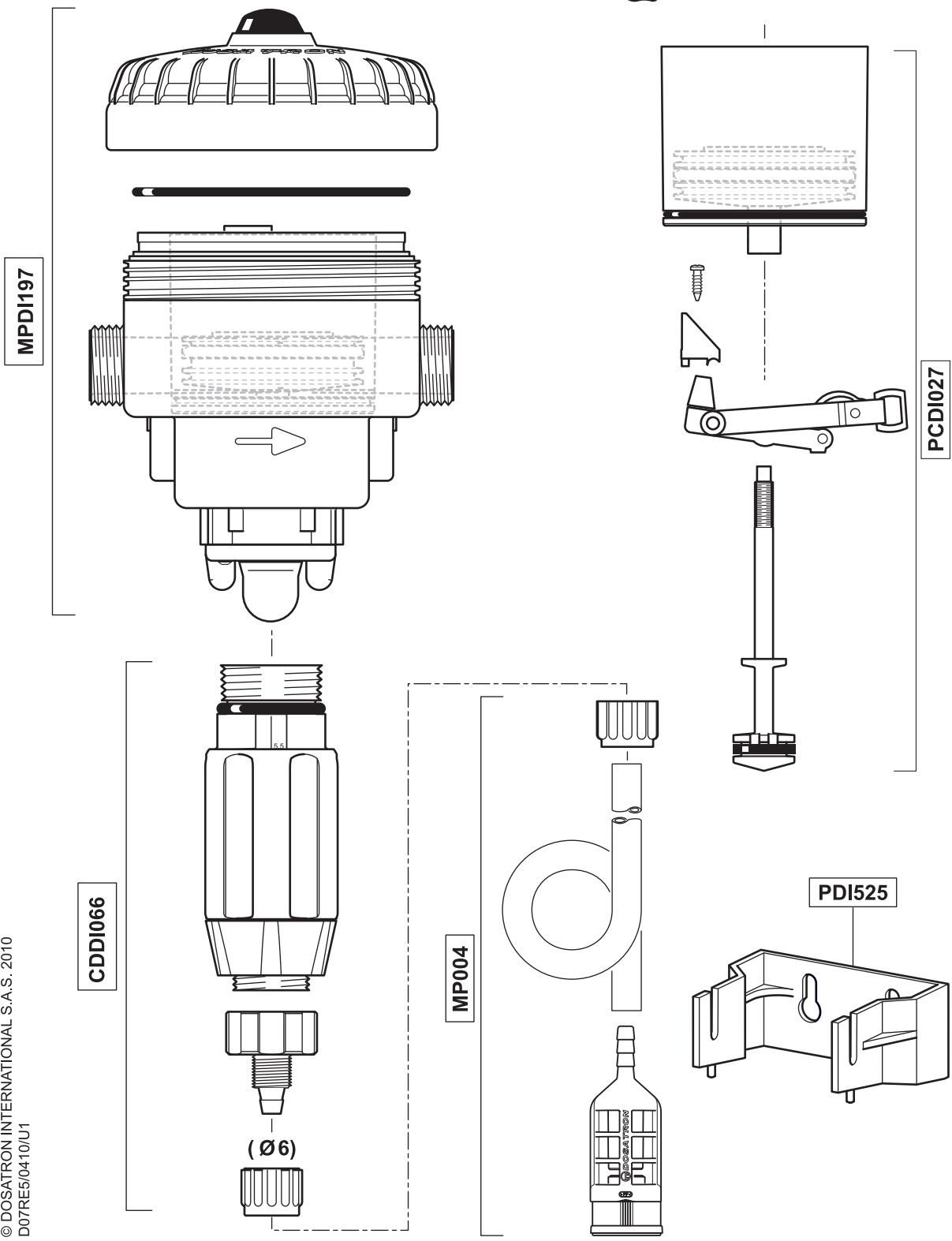


D07RE5

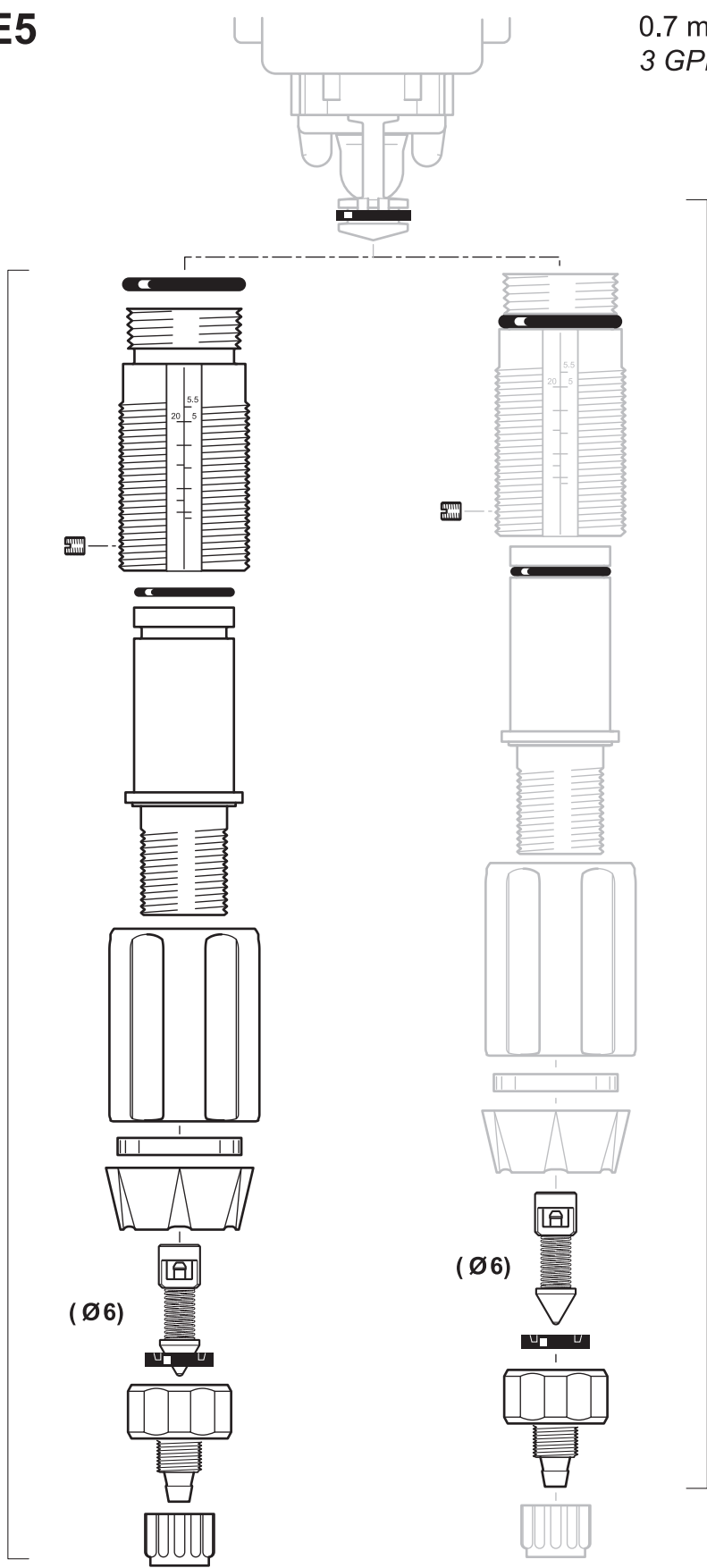


0.7 m³/h - 0.8 - 5.5%
 3 GPM - 1:128 - 1:18
 0.3 - 6 bar
 4.3 - 85 psi



D07RE5

0.7 m³/h - 0.8 - 5.5%
3 GPM - 1:128 - 1:18
0.3 - 6 bar
4.3 - 85 psi



CDDI066

PJD1095