



DOSATRON®

WATER POWERED DOSING TECHNOLOGY



D45RE3 - 20 GPM INTERACTIVE SCHEMATICS

UNIT SPECIFICATIONS

- 1:200 - 1:33
- 7 - 70 PSI
- 1" NPT Connection

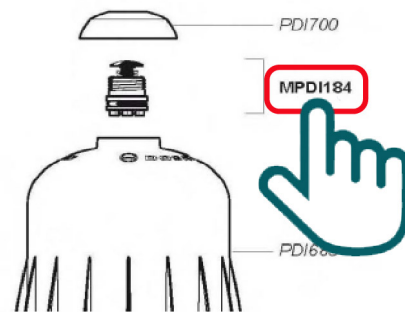
SUGGESTED INSTALLATION

- 200 mesh/80 micron water filter prior to the unit
- One-way check valve down-stream from the unit for water hammer protection

SUGGESTED MAINTENANCE

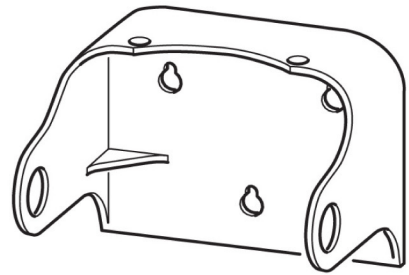
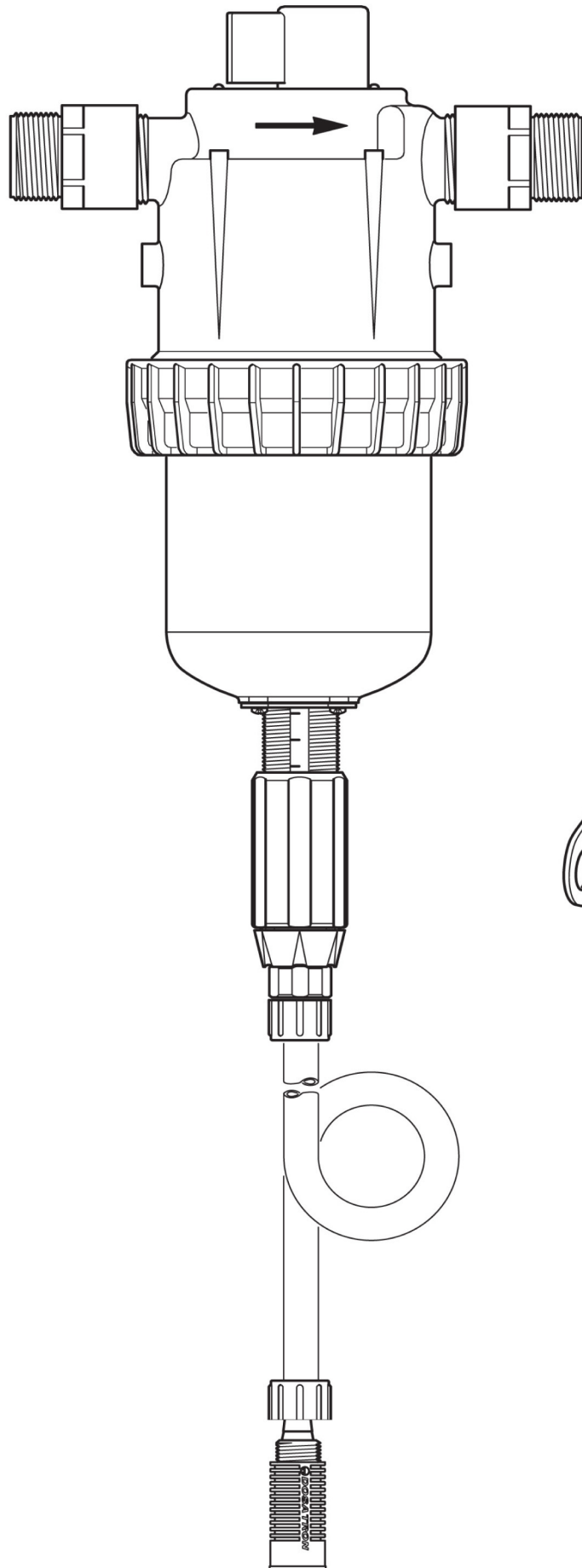
- Injection Seal Kit
Part #: [PJ084](#)
For yearly maintenance

DOCUMENT INSTRUCTIONS



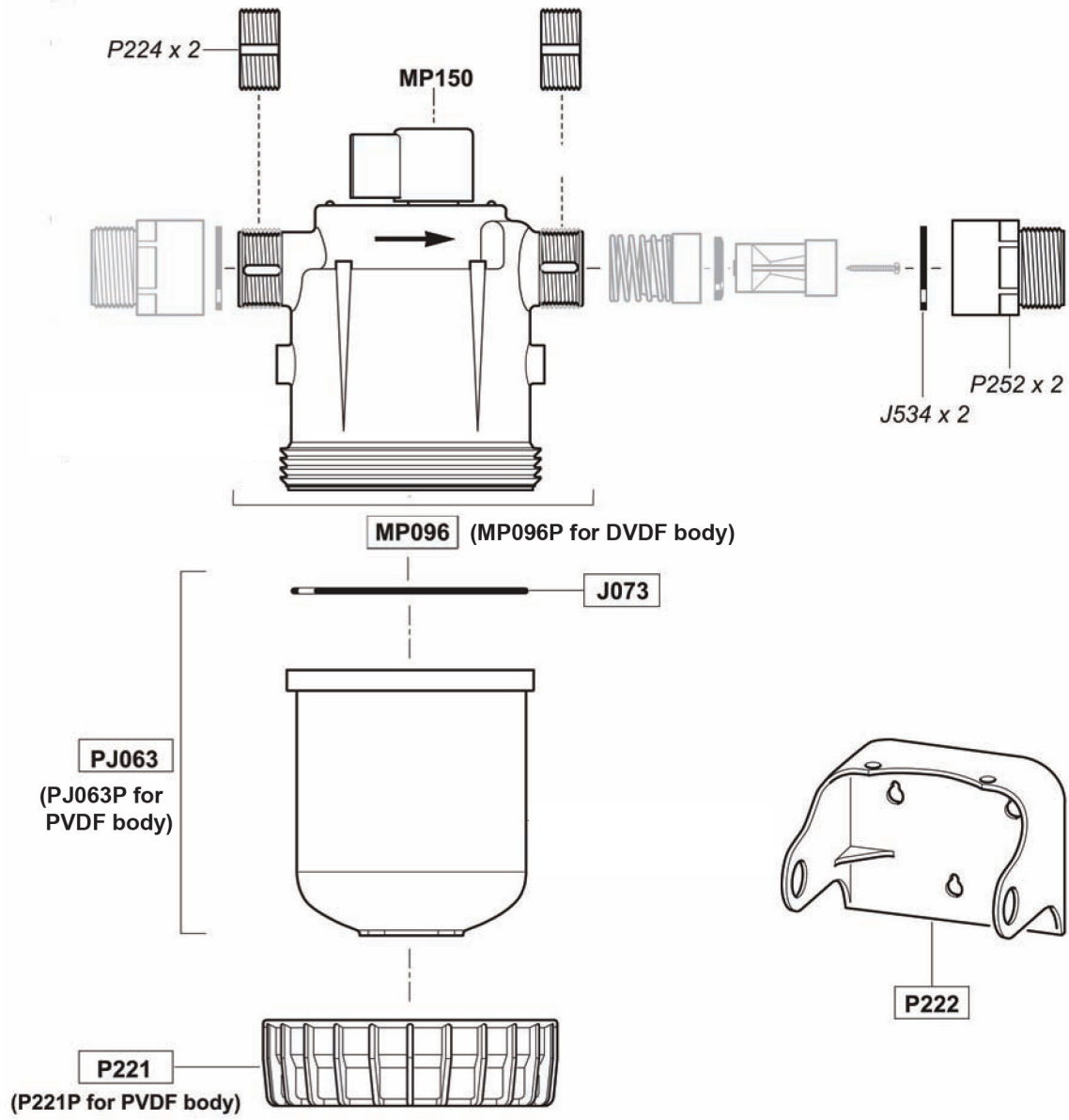
- Click on a part #, to visit item page
- Click arrow back from item page, to return to this document





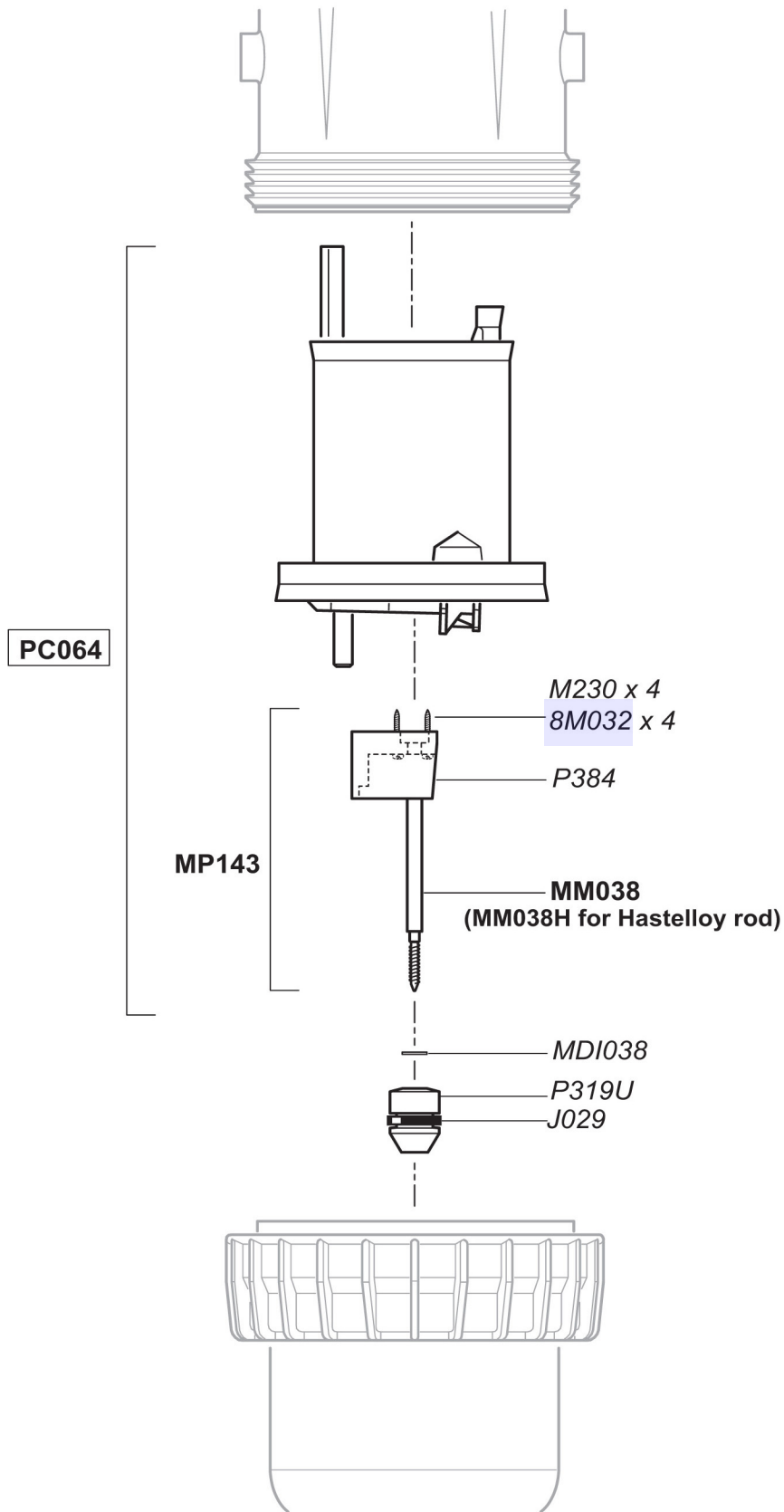
D45RE3

20 GPM - 1:200 - 1:33
7 - 70 psi



D45RE3

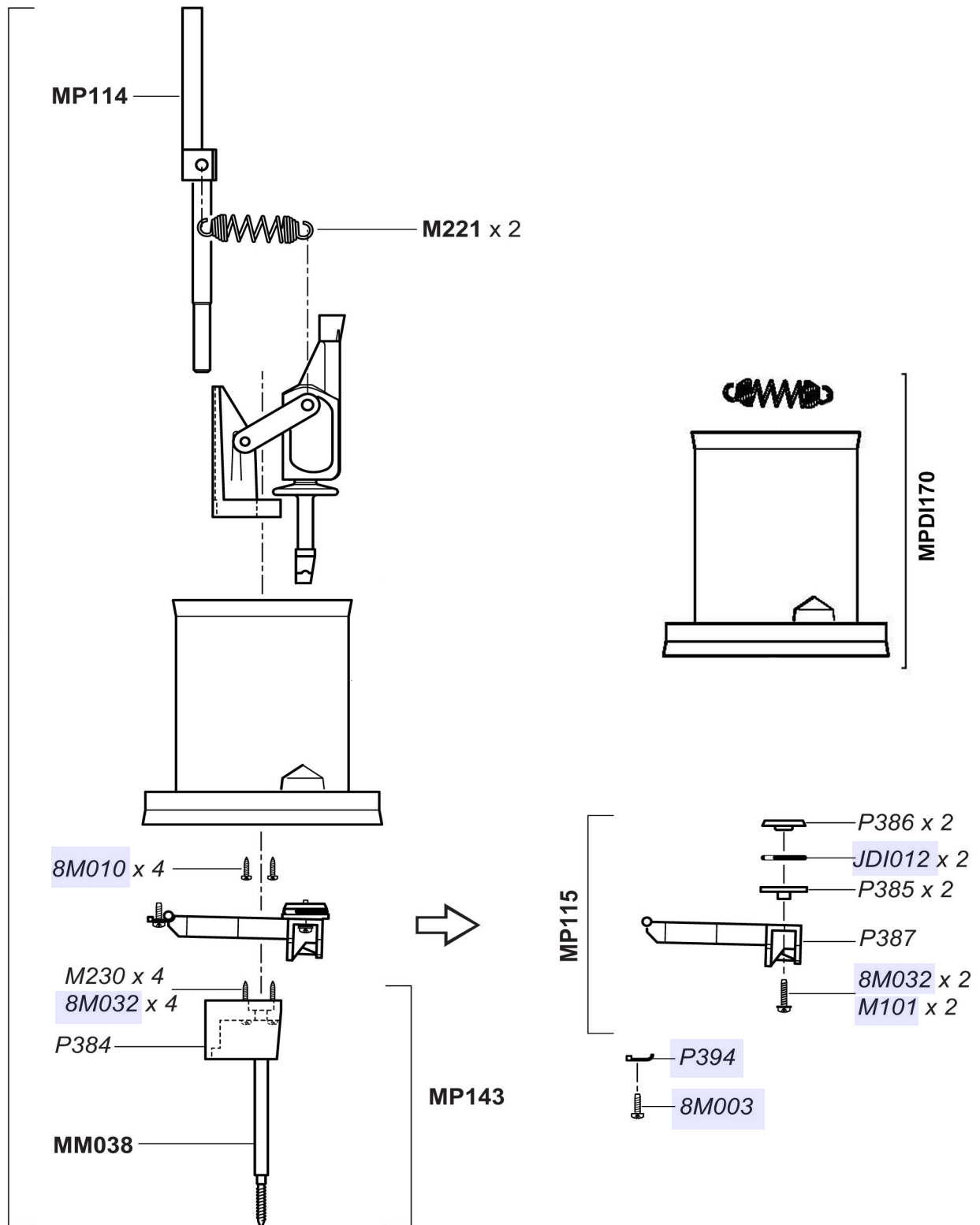
20 GPM - 1:200 - 1:33
7 - 70 psi



D45RE3

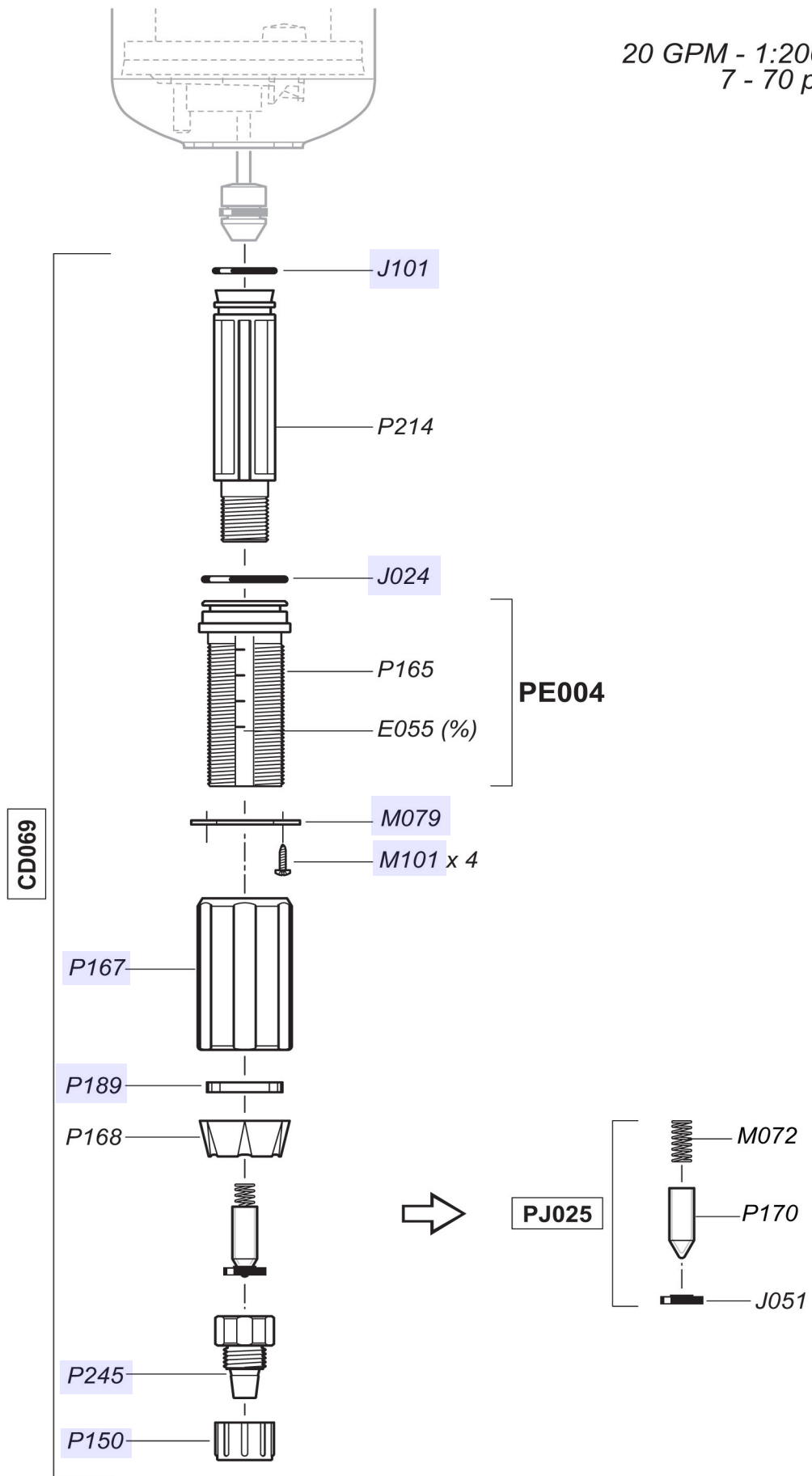
20 GPM - 1:200 - 1:33
7 - 70 psi

PC064



D45RE3

20 GPM - 1:200 - 1:33
7 - 70 psi



D45RE3

20 GPM - 1:200 - 1:33
7 - 70 psi

