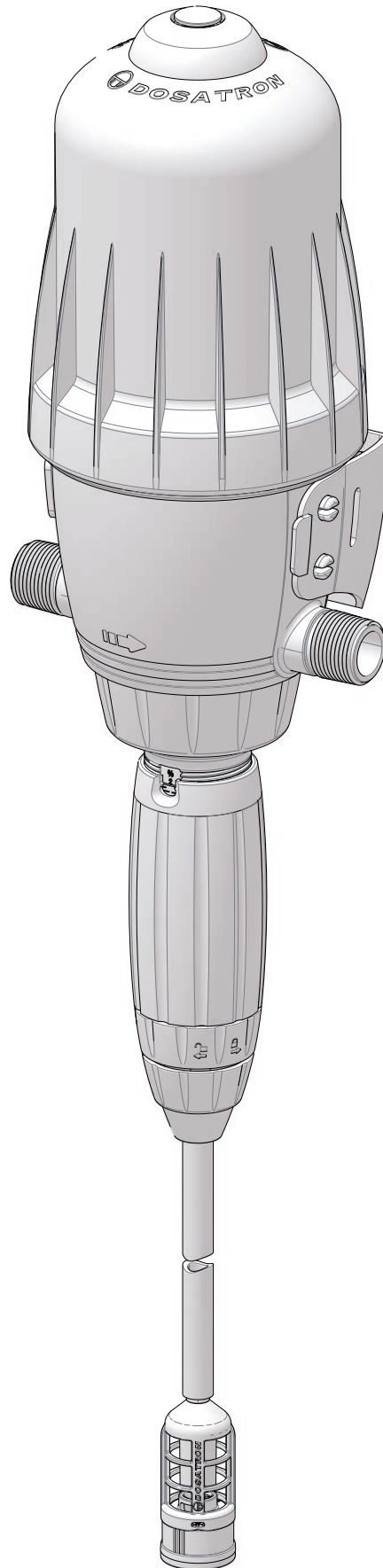


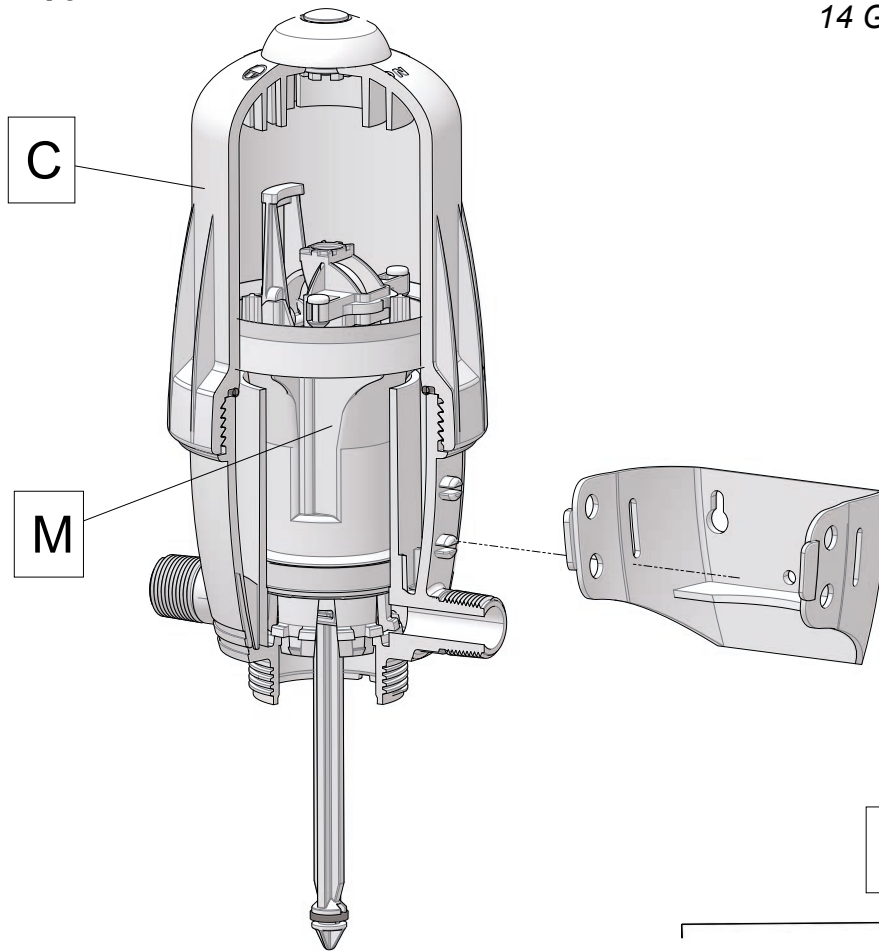
# D3 0.2 - 2%

3m<sup>3</sup>/h - 0.2 - 2%  
14 GPM - 1:500 - 1:50  
0.3 - 6 bar  
4.3 - 85 psi



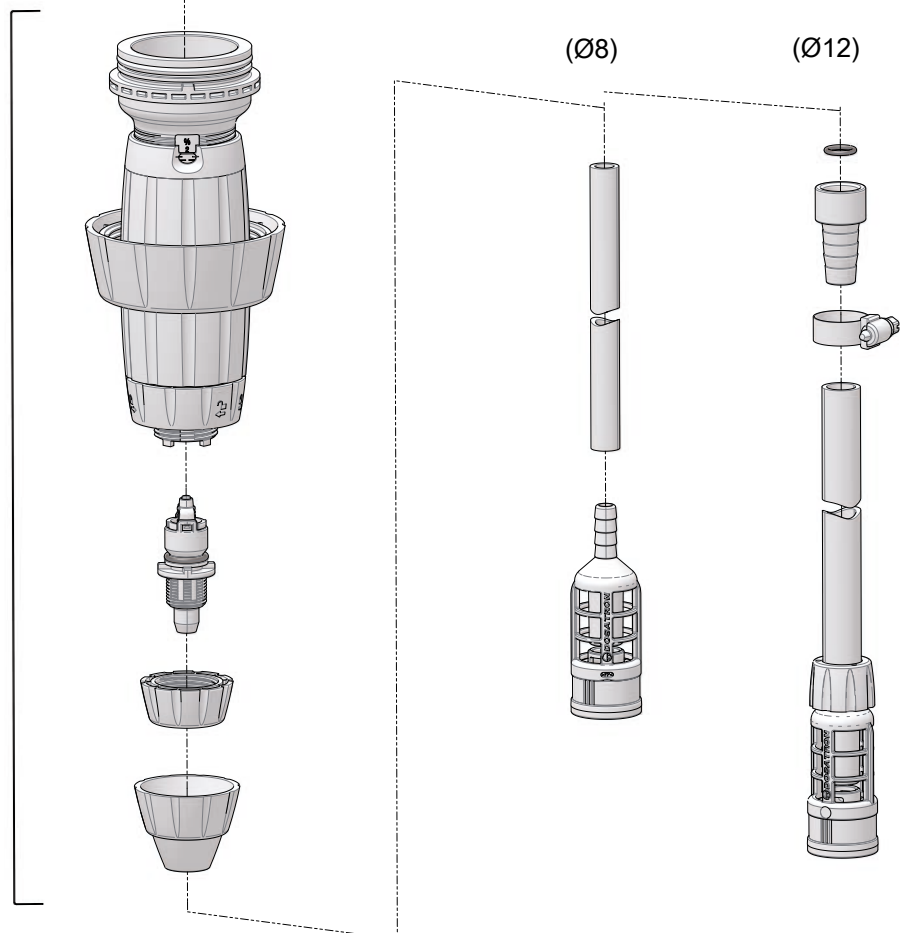
# D3 0.2 - 2%

3m<sup>3</sup>/h - 0.2 - 2%  
14 GPM - 1:500 - 1:50  
0.3 - 6 bar  
4.3 - 85 psi



A

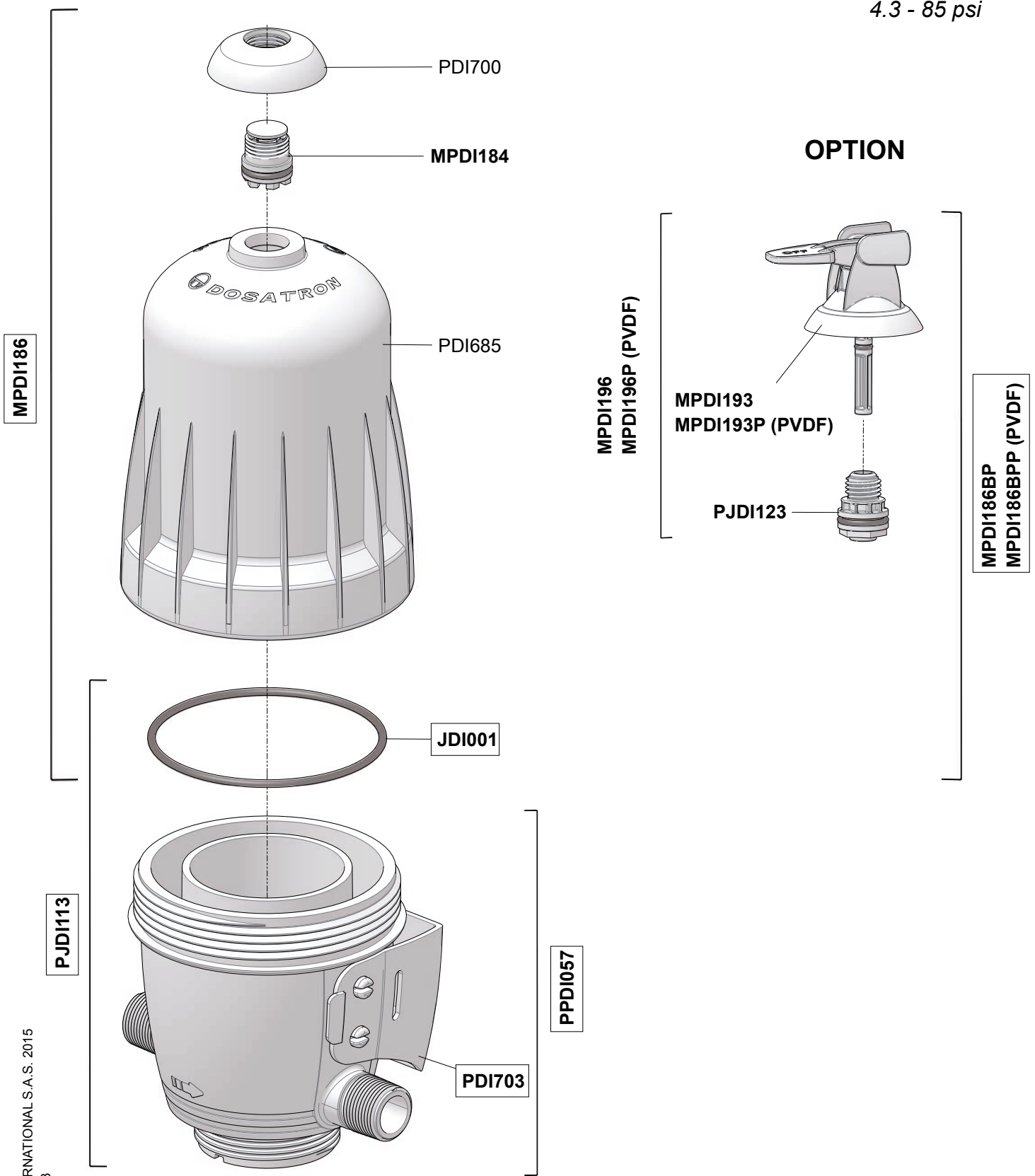
## Option "V"



D

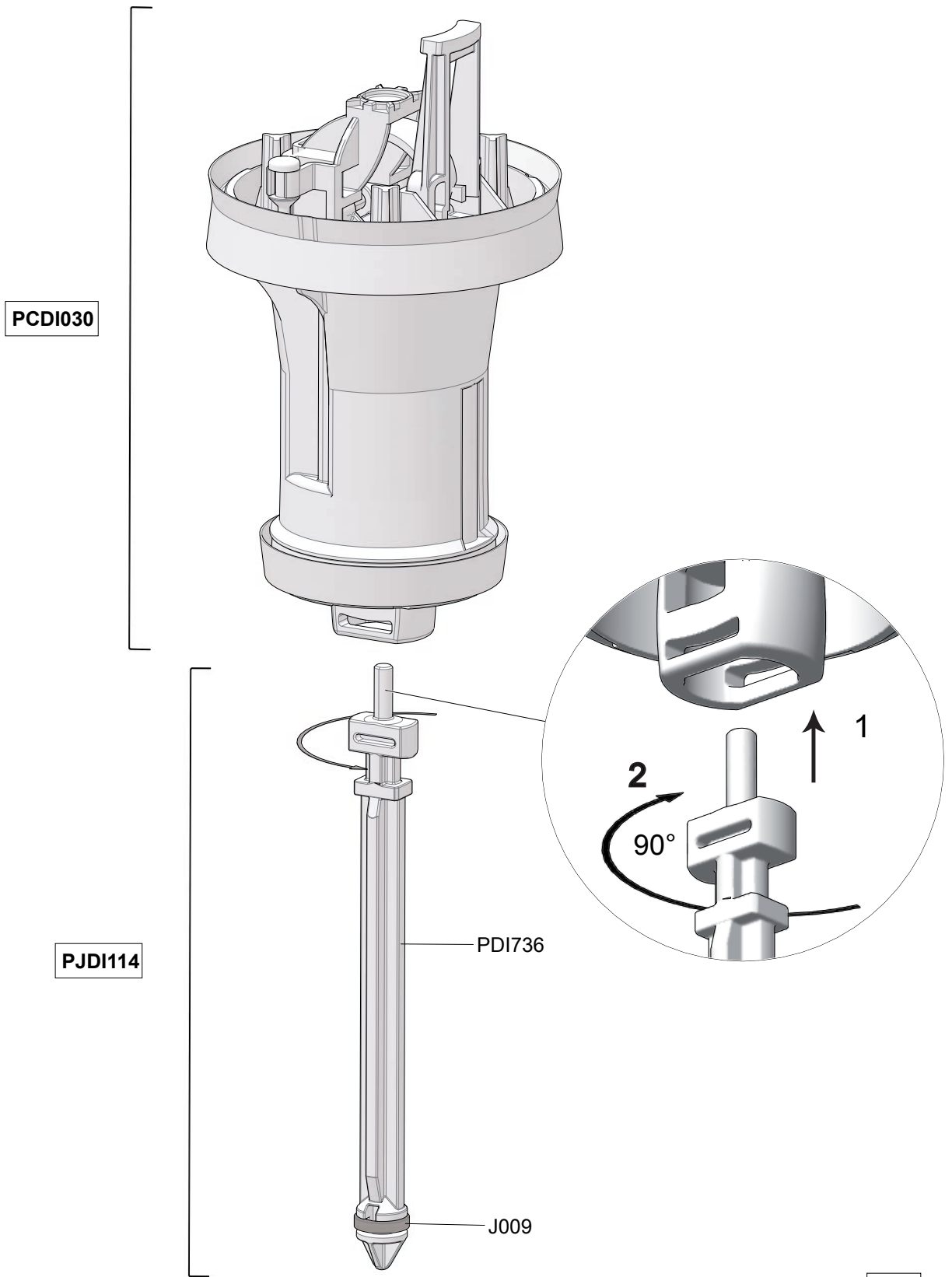
# D3 0.2 - 2%

3m<sup>3</sup>/h - 0.2 - 2%  
14 GPM - 1:500 - 1:50  
0.3 - 6 bar  
4.3 - 85 psi



# D3 0.2 - 2%

3m<sup>3</sup>/h - 0.2 - 2%  
14 GPM - 1:500 - 1:50  
0.3 - 6 bar  
4.3 - 85 psi

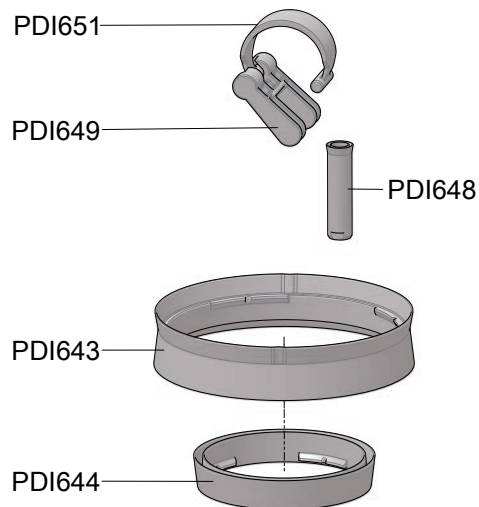
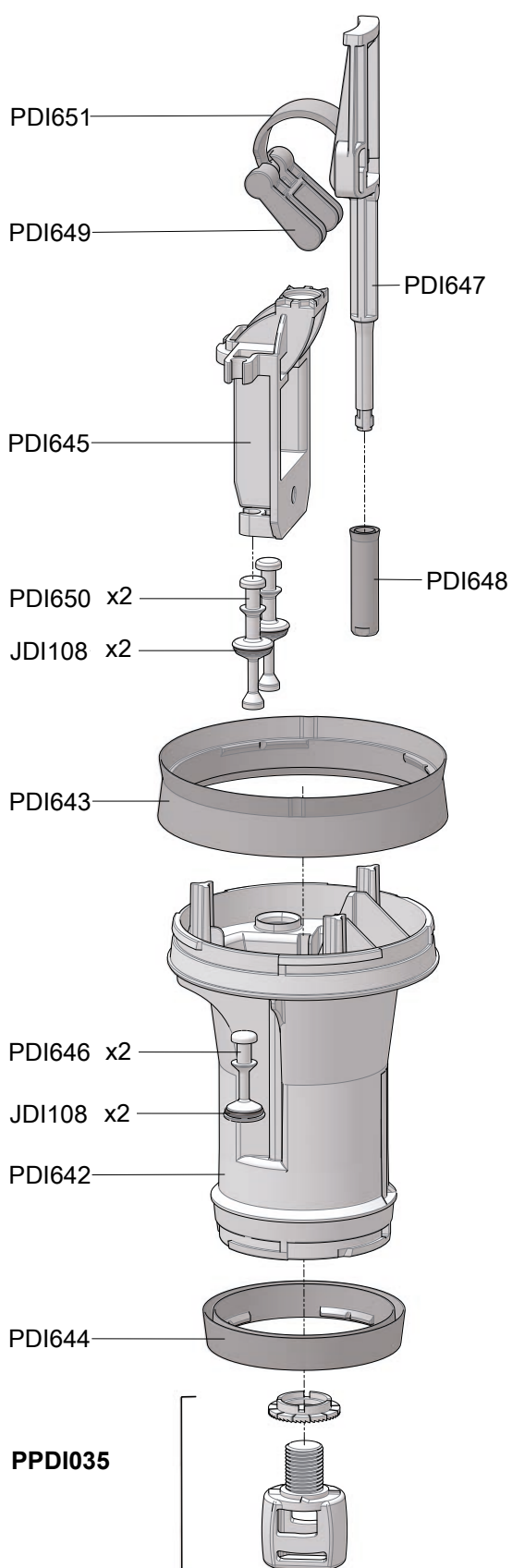


M

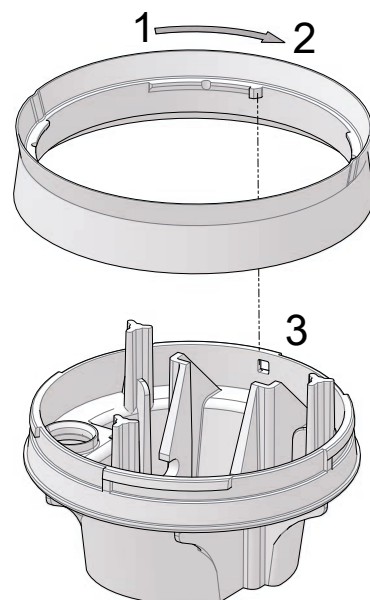
# D3 0.2 - 2%

3m<sup>3</sup>/h - 0.2 - 2%  
14 GPM - 1:500 - 1:50  
0.3 - 6 bar  
4.3 - 85 psi

PCDI030

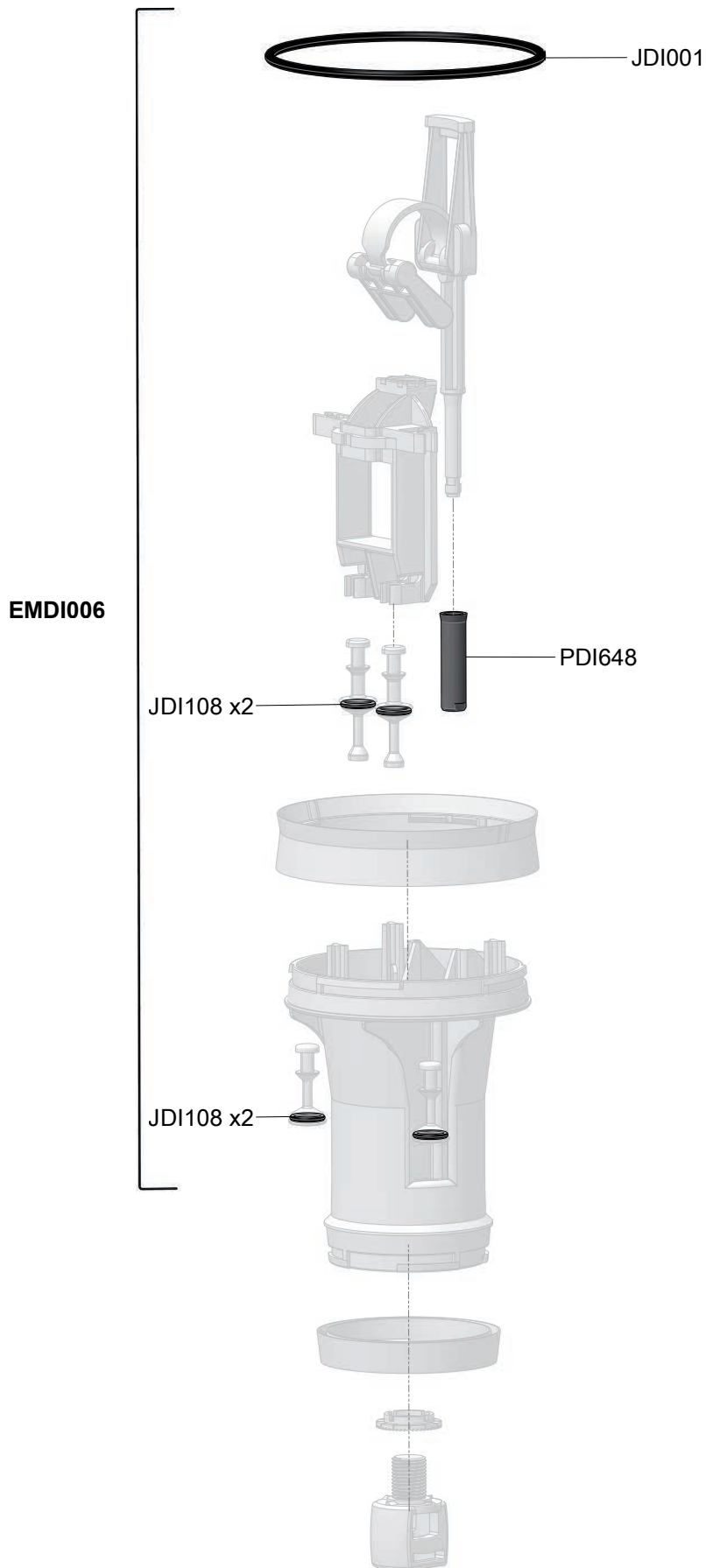


PDI034



# D3 0.2 - 2%

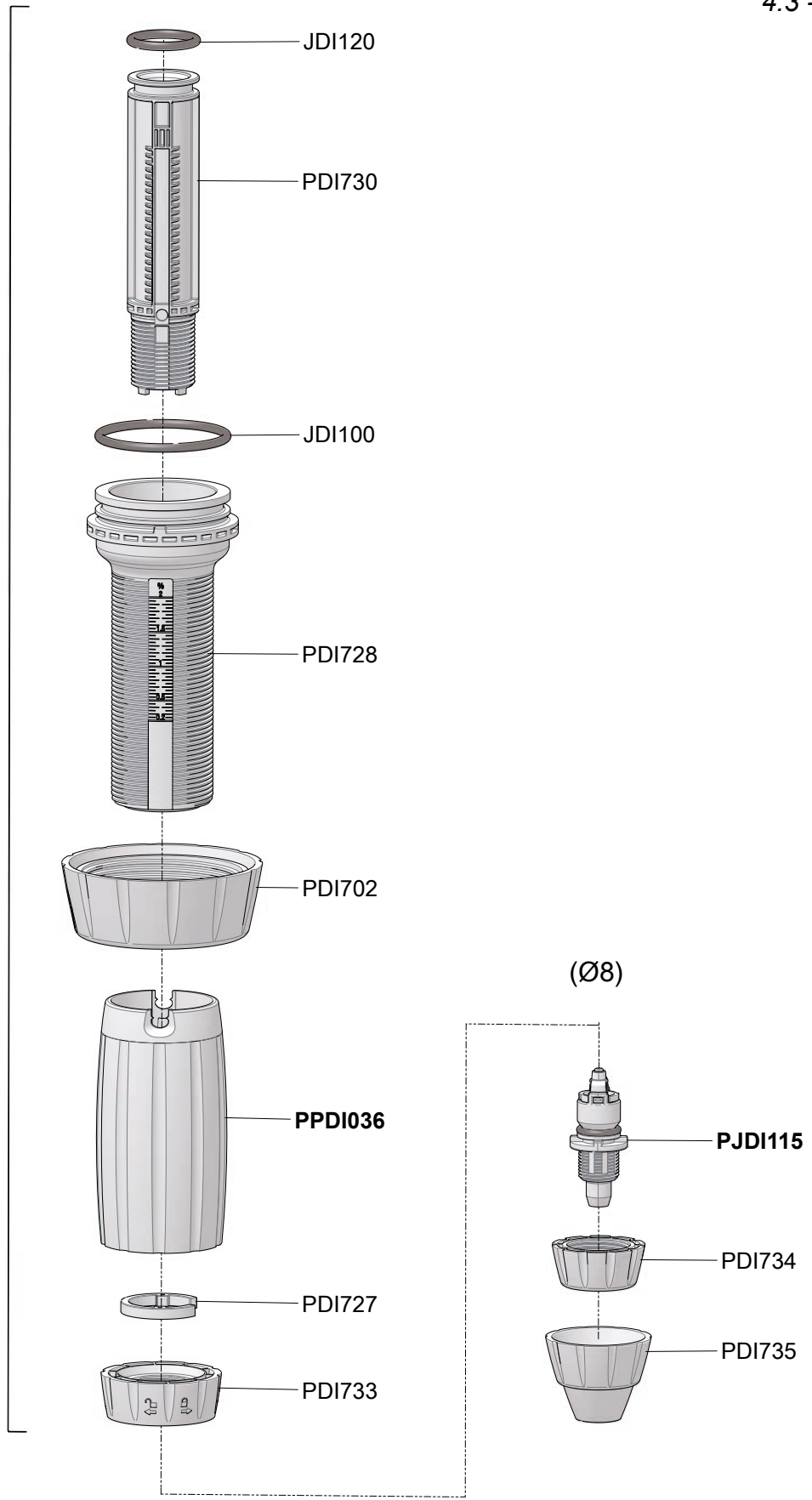
3m<sup>3</sup>/h - 0.2 - 2%  
14 GPM - 1:500 - 1:50  
0.3 - 6 bar  
4.3 - 85 psi



# D3 0.2 - 2%

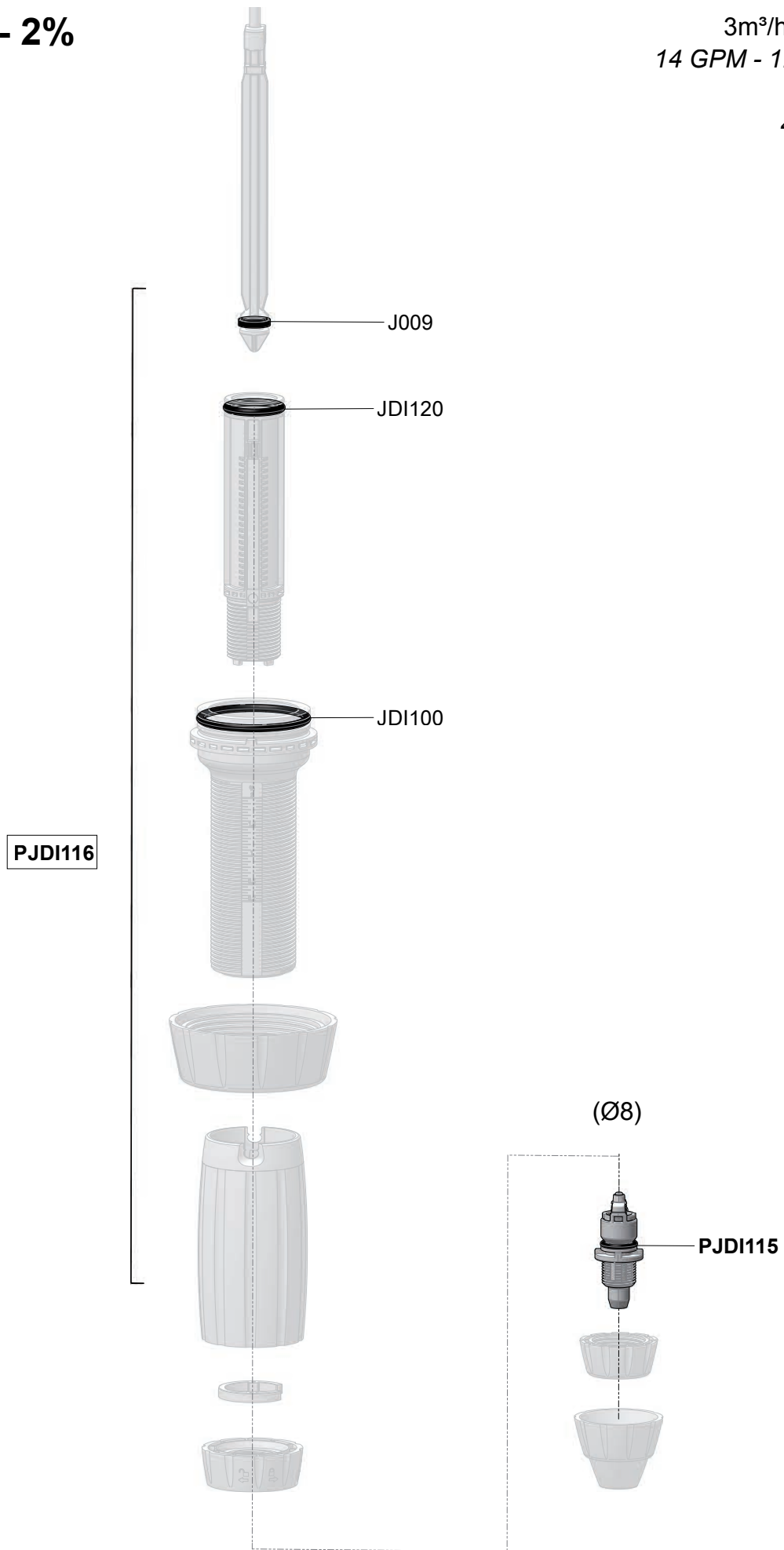
3m<sup>3</sup>/h - 0.2 - 2%  
14 GPM - 1:500 - 1:50  
0.3 - 6 bar  
4.3 - 85 psi

**CDDI074**



# D3 0.2 - 2%

3m<sup>3</sup>/h - 0.2 - 2%  
14 GPM - 1:500 - 1:50  
0.3 - 6 bar  
4.3 - 85 psi

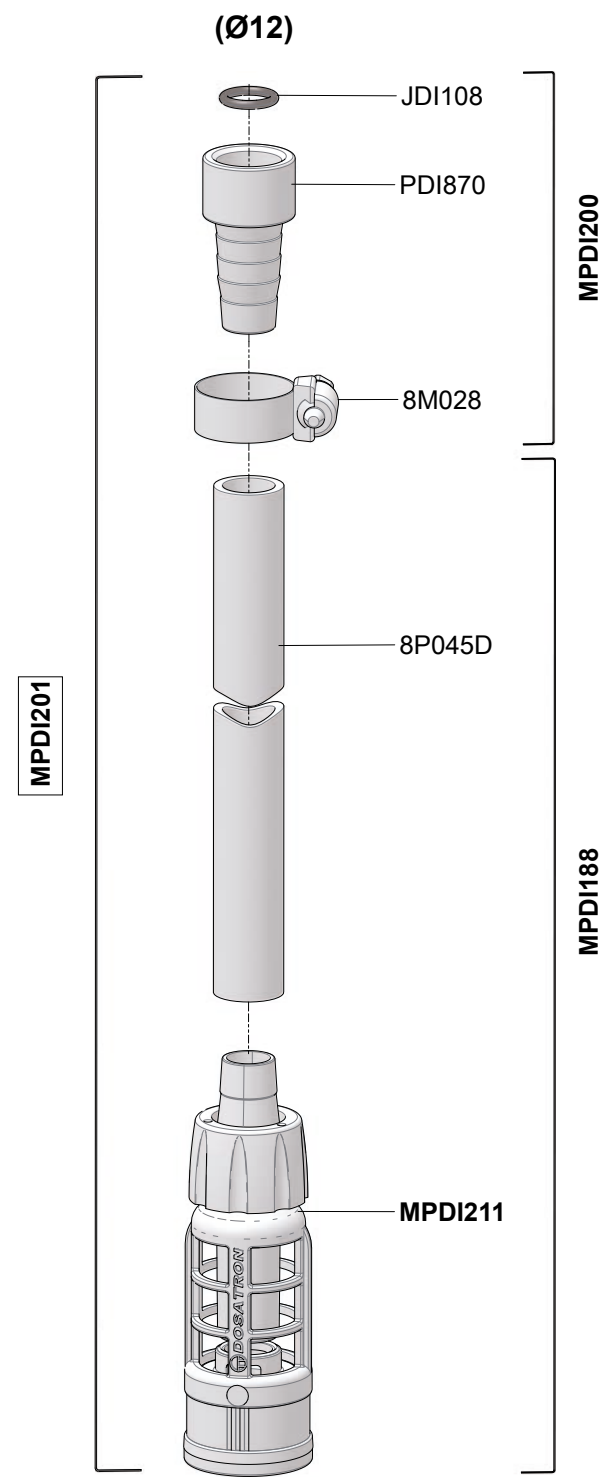
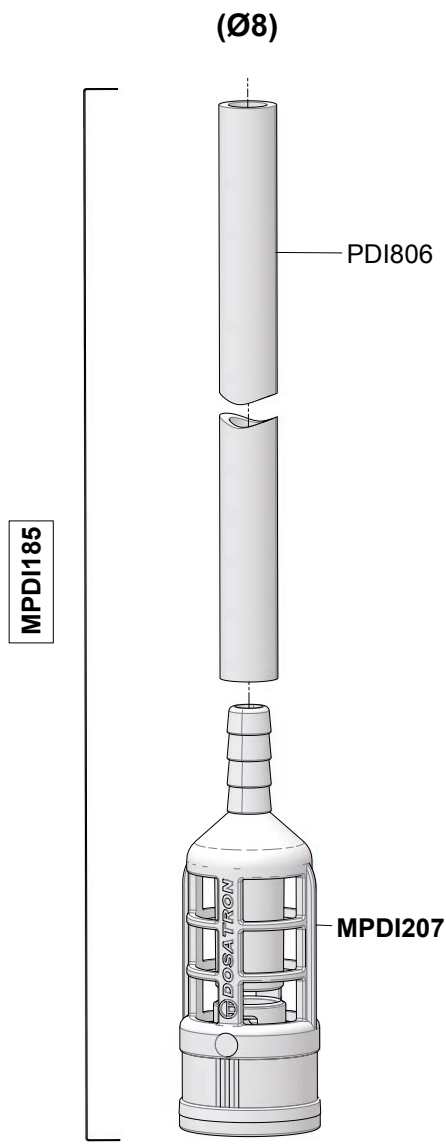




# D3 0.2 - 2%

3m<sup>3</sup>/h - 0.2 - 2%  
14 GPM - 1:500 - 1:50  
0.3 - 6 bar  
4.3 - 85 psi

## Option "V"



A