



# DOSATRON®

*WATER POWERED DOSING TECHNOLOGY*



## D40MZ5 - 40 GPM INTERACTIVE SCHEMATICS

### UNIT SPECIFICATIONS

- 1:100 - 1:20
- 7.2 - 116 PSI
- 1 1/2" NPT Connection

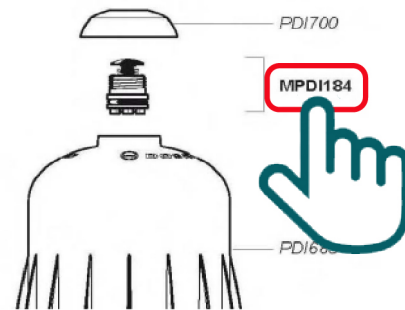
### SUGGESTED INSTALLATION

- 200 mesh/80 micron water filter prior to the unit
- One-way check valve down-stream from the unit for water hammer protection

### SUGGESTED MAINTENANCE

- Injection Seal Kit  
Part #: [PJDI122V](#)  
For yearly maintenance

### DOCUMENT INSTRUCTIONS

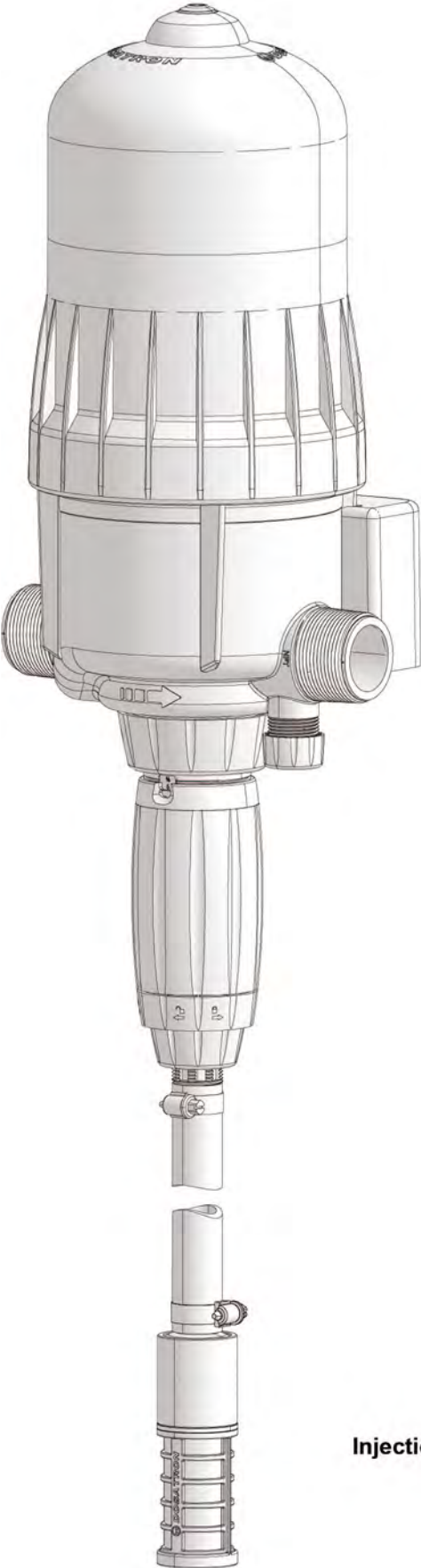


- Click on a part #, to visit item page
- Click arrow back from item page, to return to this document



**D40 1:100 - 1:20**

40 GPM - 1:100 - 1:20  
9m<sup>3</sup>/h - 1 - 5%  
7.2 - 116 psi  
0.5 - 8 bar



**Injection Seal Kit Part #: PJD1122V**

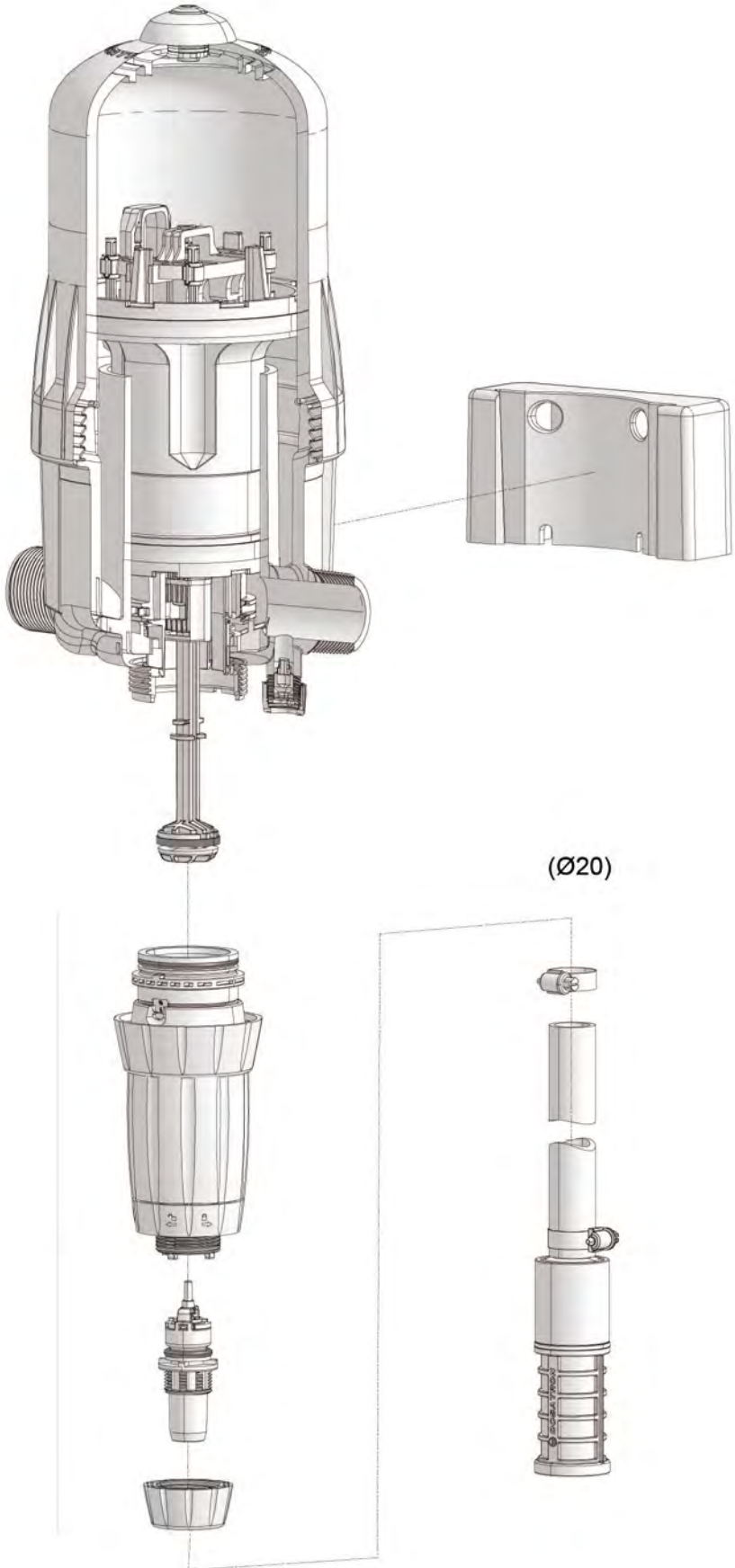
# D40MZ5

40 GPM - 1:100 - 1:20

9m<sup>3</sup>/h - 1 - 5%

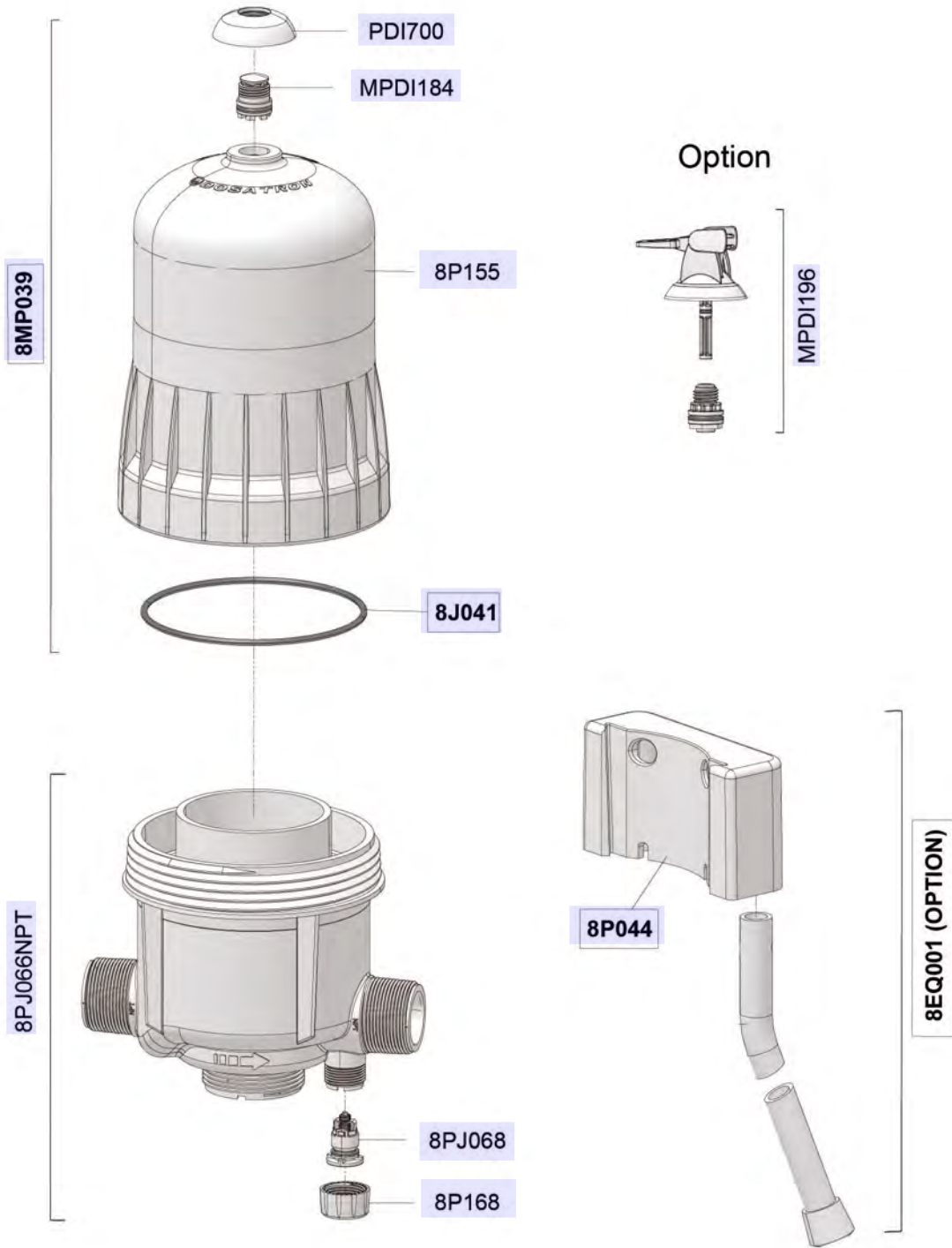
7.2 - 116 psi

0.5 - 8 bar



# D40MZ5

40 GPM - 1:100 - 1:20  
9m<sup>3</sup>/h - 1 - 5%  
7.2 - 116 psi  
0.5 - 8 bar



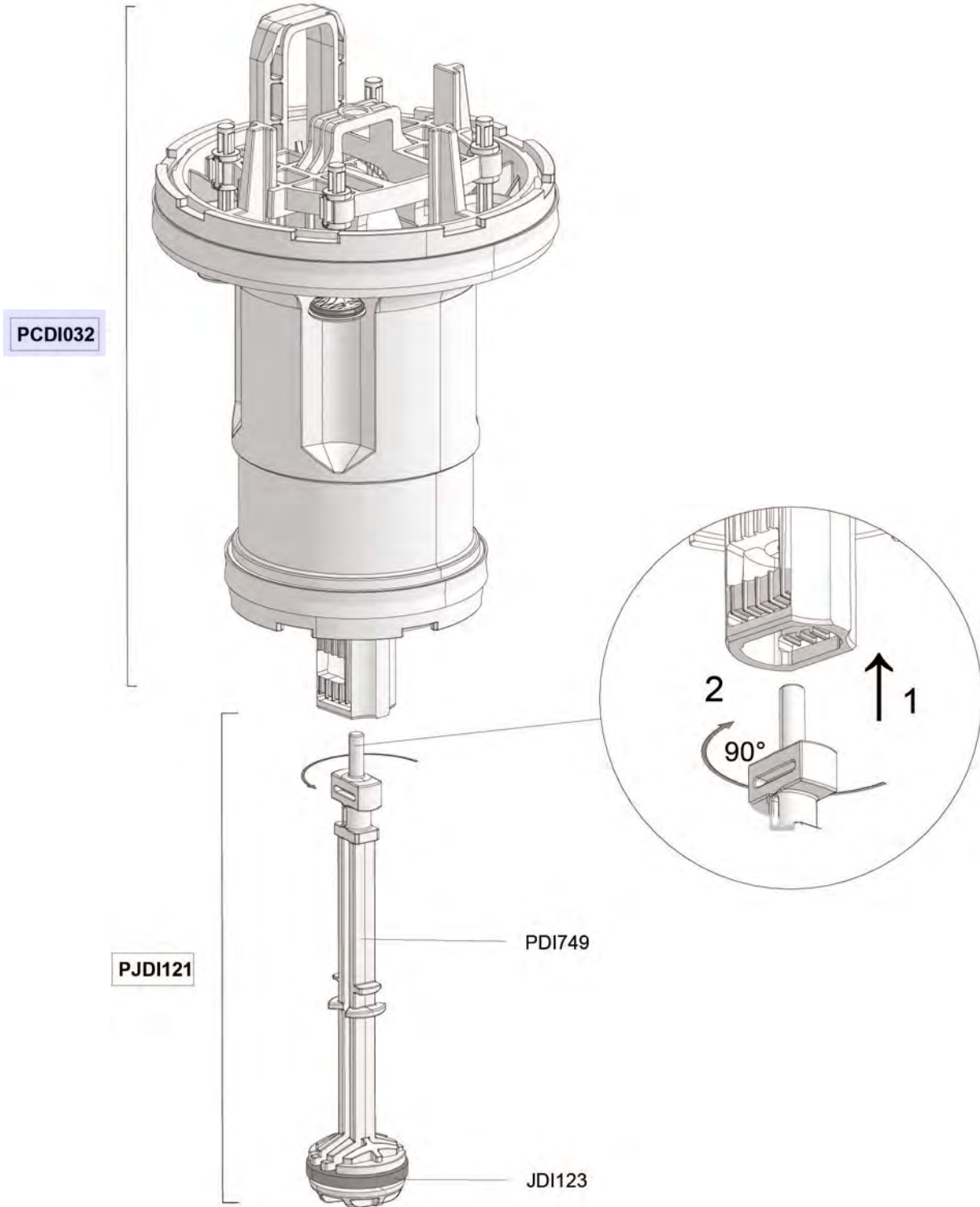
# D40MZ5

40 GPM - 1:100 - 1:20

9m<sup>3</sup>/h - 1 - 5%

7.2 - 116 psi

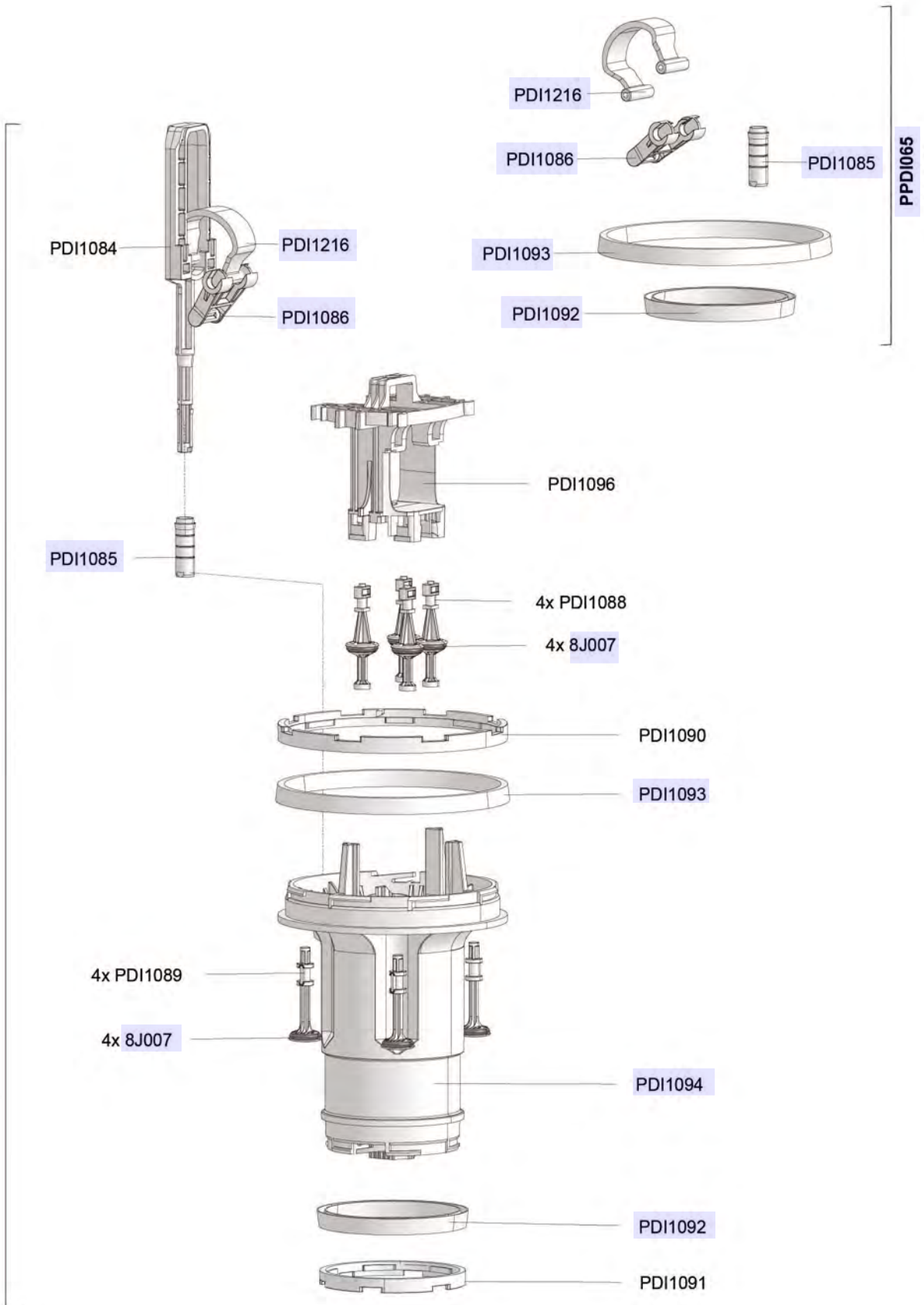
0.5 - 8 bar



# D40MZ5

40 GPM - 1:100 - 1:20  
9m<sup>3</sup>/h - 1 - 5%  
7.2 - 116 psi  
0.5 - 8 bar

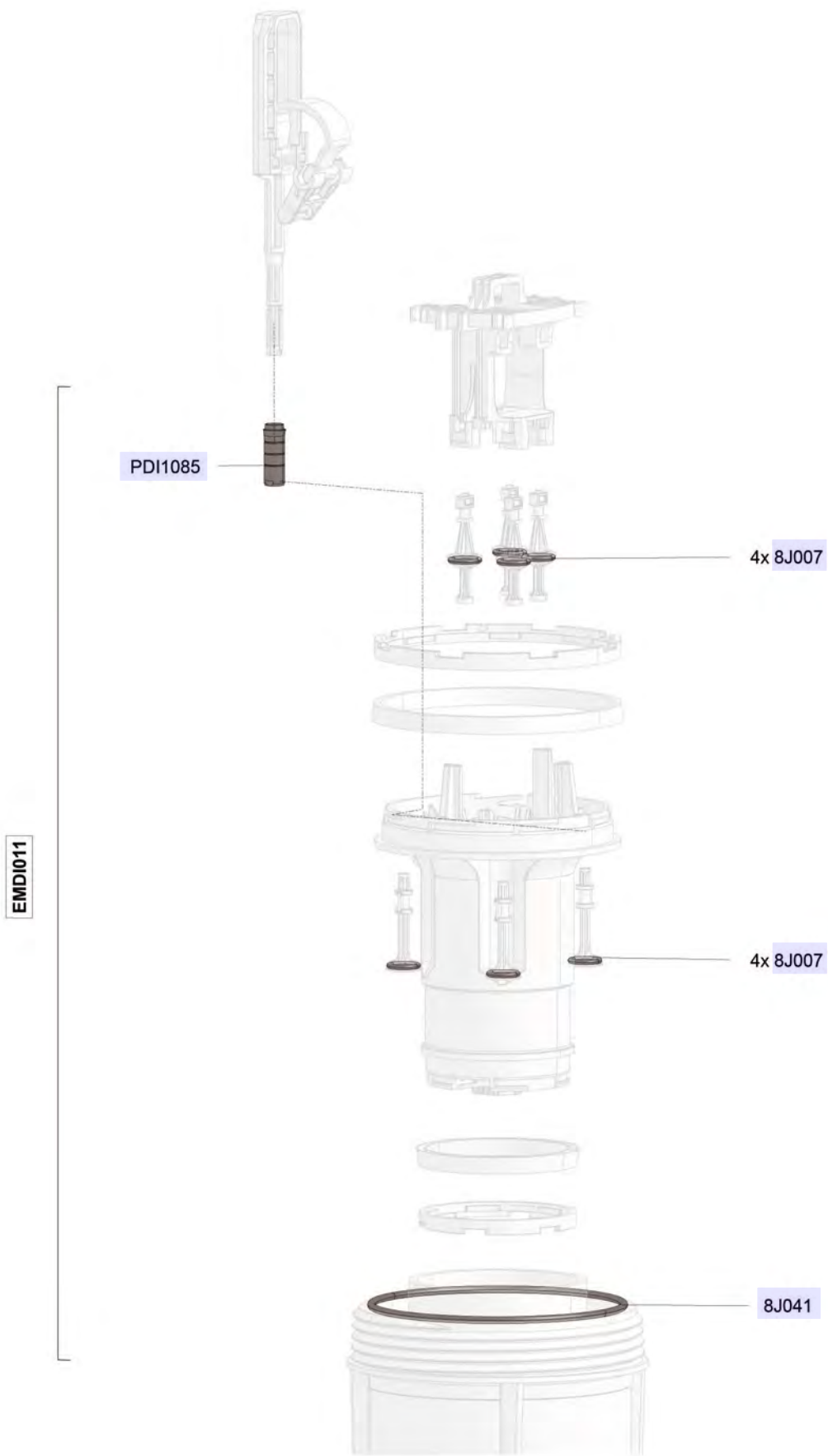
PCDI032





# D40MZ5

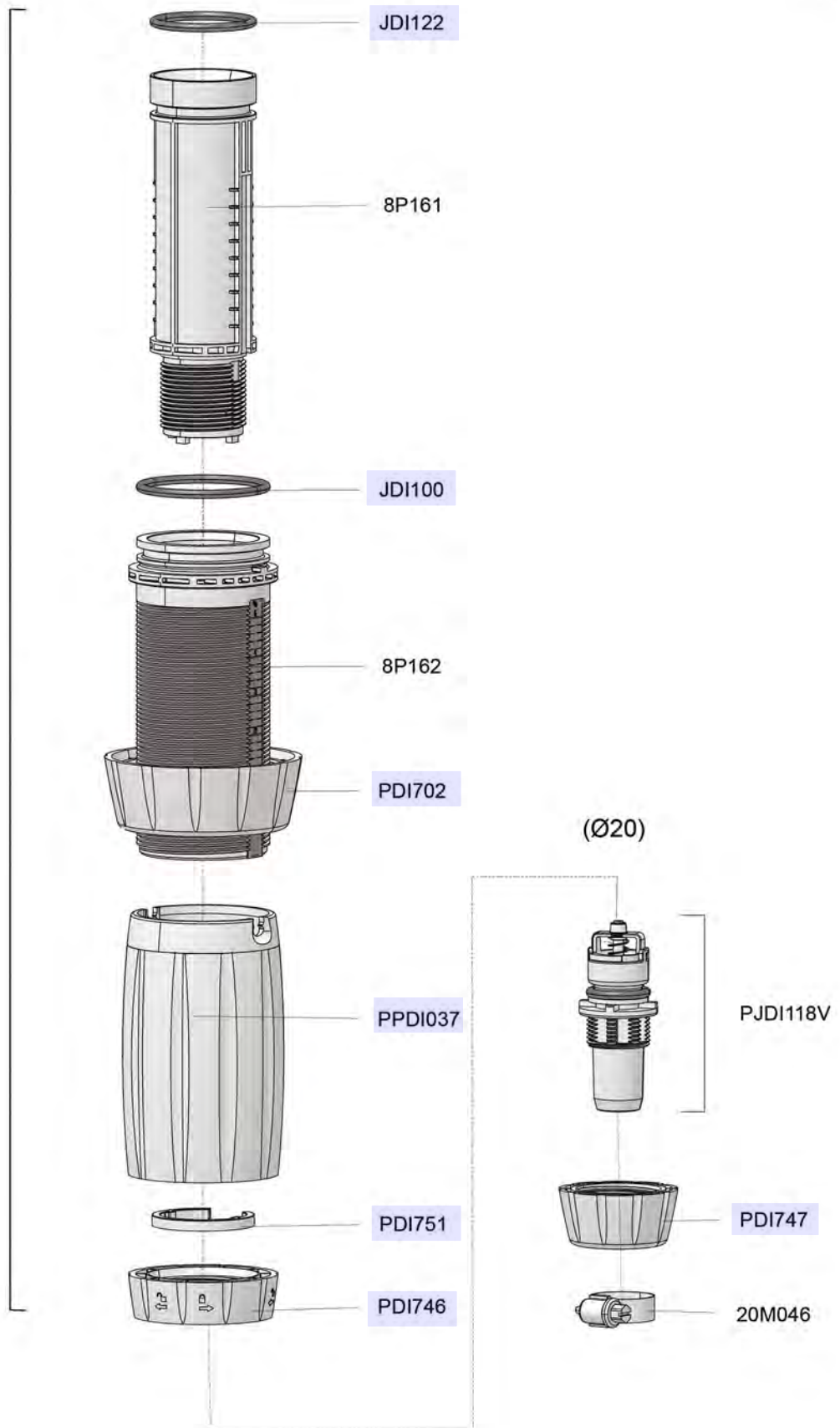
40 GPM - 1:100 - 1:20  
9m<sup>3</sup>/h - 1 - 5%  
7.2 - 116 psi  
0.5 - 8 bar



# D40MZ5

40 GPM - 1:100 - 1:20  
9m<sup>3</sup>/h - 1 - 5%  
7.2 - 116 psi  
0.5 - 8 bar

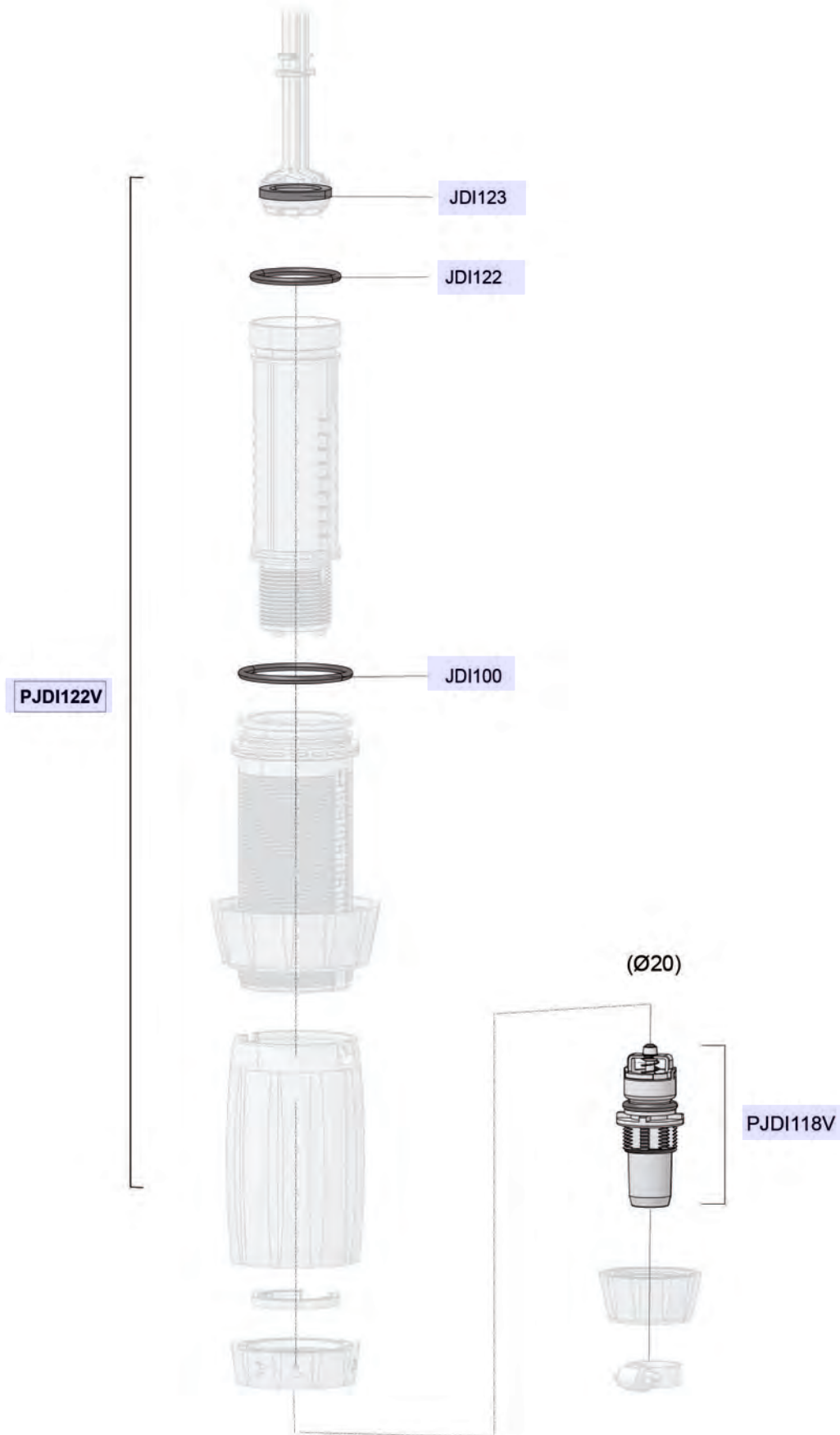
8CD034





# D40MZ5

40 GPM - 1:100 - 1:20  
9m<sup>3</sup>/h - 1 - 5%  
7.2 - 116 psi  
0.5 - 8 bar



# D40MZ5

40 GPM - 1:100 - 1:20  
9m<sup>3</sup>/h - 1 - 5%  
7.2 - 116 psi  
0.5 - 8 bar

