



DOSATRON®

WATER POWERED DOSING TECHNOLOGY



D25RE09 - 11 GPM INTERACTIVE SCHEMATICS

UNIT SPECIFICATIONS

- 1:1000 - 1:112
- 4.3 - 85 PSI
- 3/4" NPT Connection

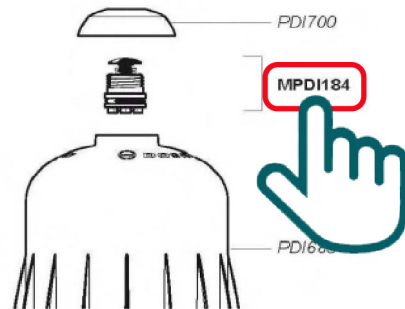
SUGGESTED INSTALLATION

- 200 mesh/80 micron water filter prior to the unit
- One-way check valve down-stream from the unit for water hammer protection

SUGGESTED MAINTENANCE

- Mini-Maintenance Kit
Part #: [PJ127MINI-H](#)
For regular maintenance
- Injection Seal Kit
Part #: [PJ127](#)
For yearly maintenance

DOCUMENT INSTRUCTIONS

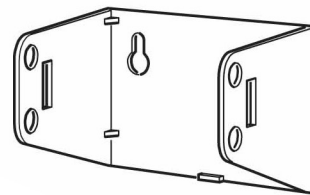
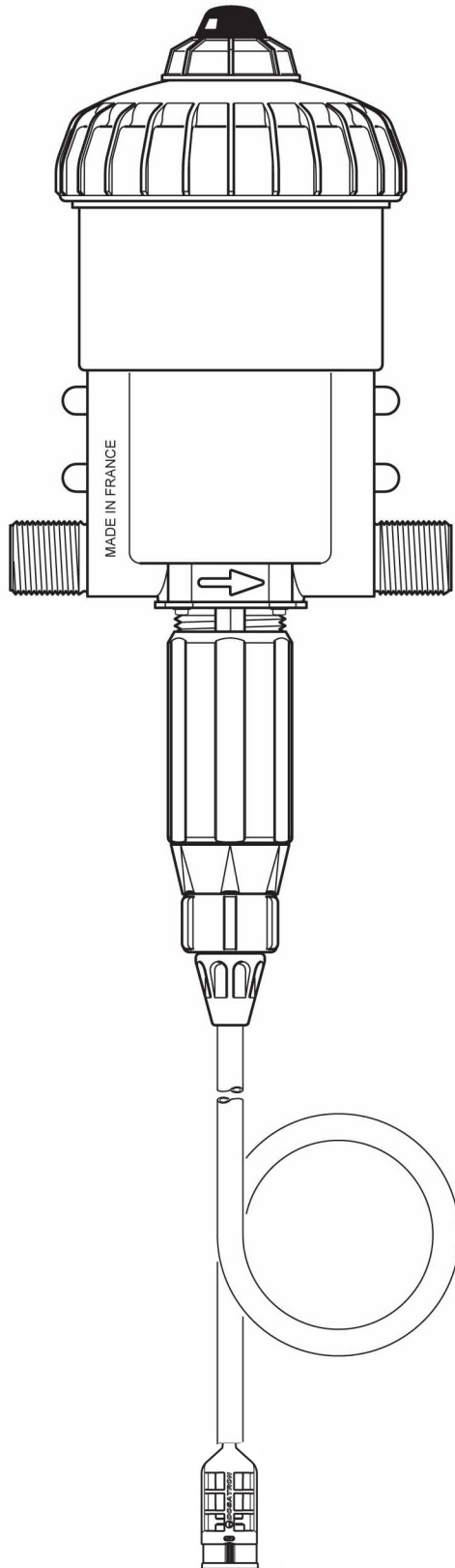


- Click on a part #, to visit item page
- Click arrow back from item page, to return to this document



D25RE09

2.5 m³/h - 0.1 - 0.9%
11 GPM - 1:1000 - 1:111
0.3 - 6 bar
4.3 - 85 psi

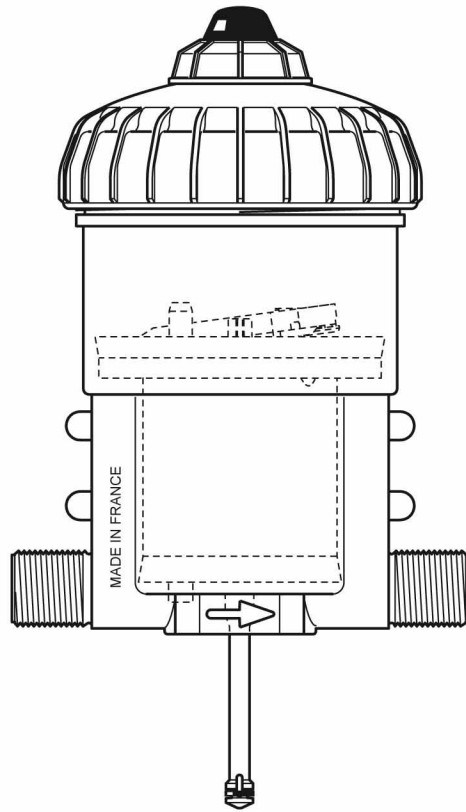


Injection Seal Kit Part #: PJ127
Mini Maintenance Kit Part #: PJ127MINI-H

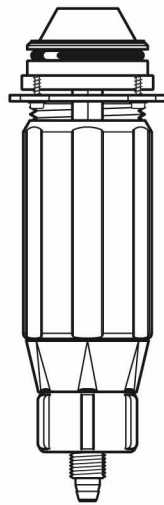
D25RE09

2.5 m³/h - 0.1 - 0.9%
11 GPM - 1:1000 - 1:111
0.3 - 6 bar
4.3 - 85 psi

C+M



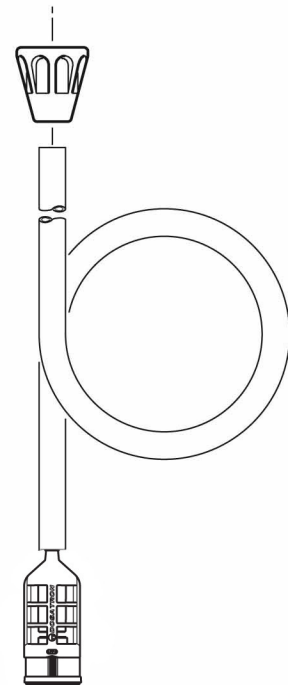
D



(Ø6)

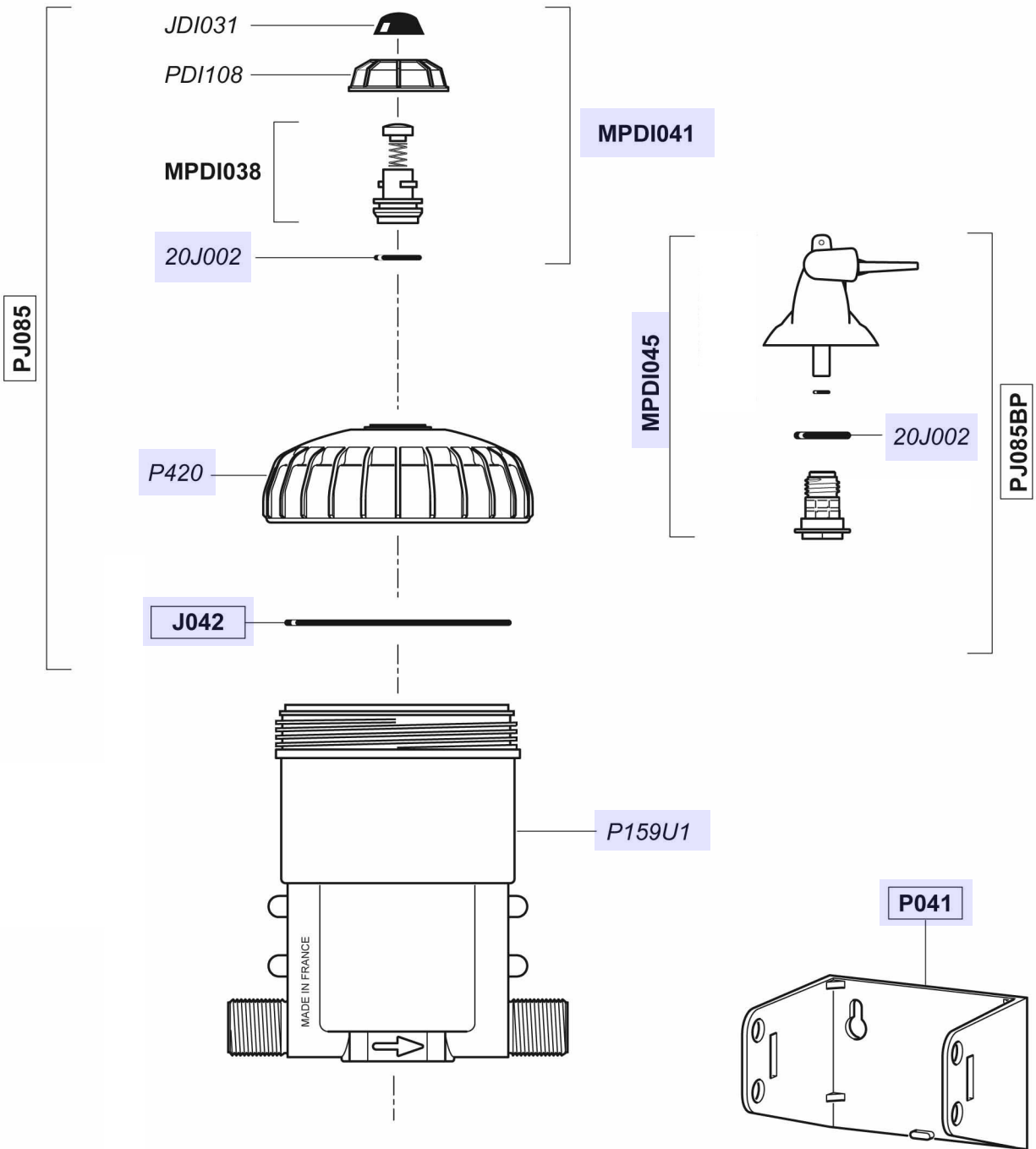


A



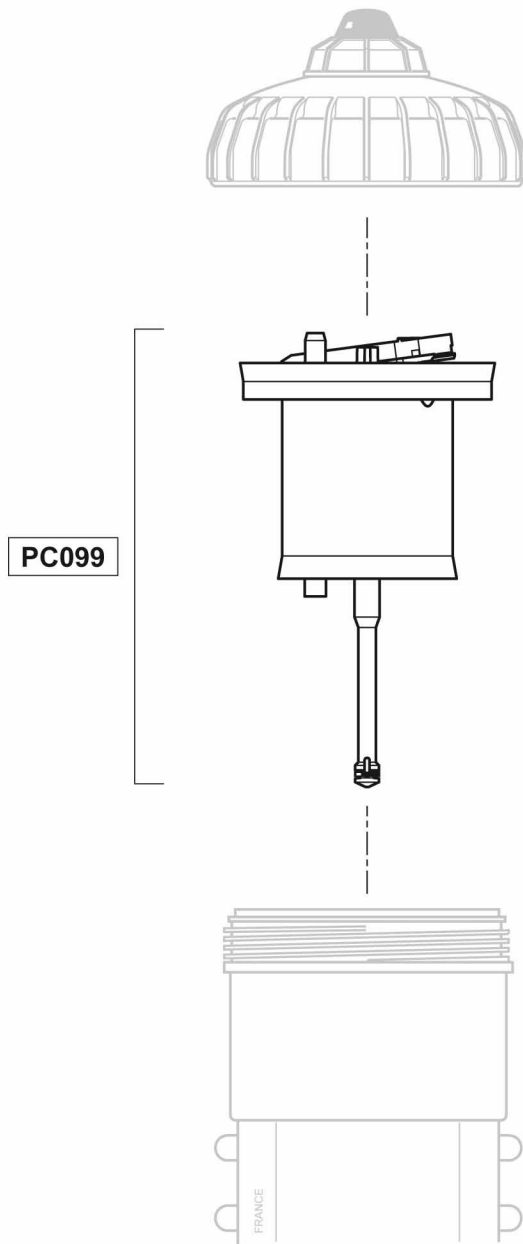
D25RE09

2.5 m³/h - 0.1 - 0.9%
11 GPM - 1:1000 - 1:111
0.3 - 6 bar
4.3 - 85 psi



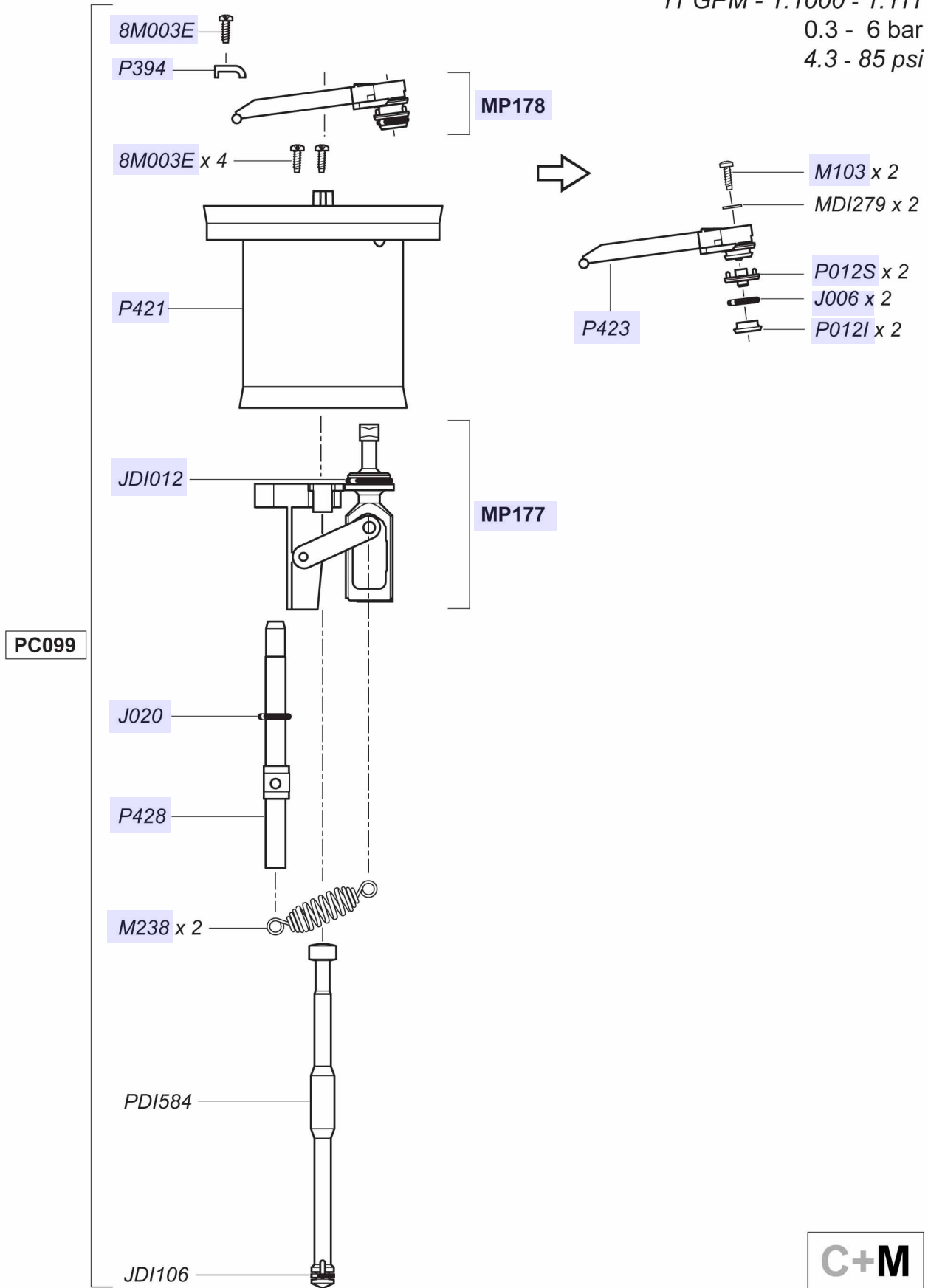
D25RE09

2.5 m³/h - 0.1 - 0.9%
11 GPM - 1:1000 - 1:111
0.3 - 6 bar
4.3 - 85 psi



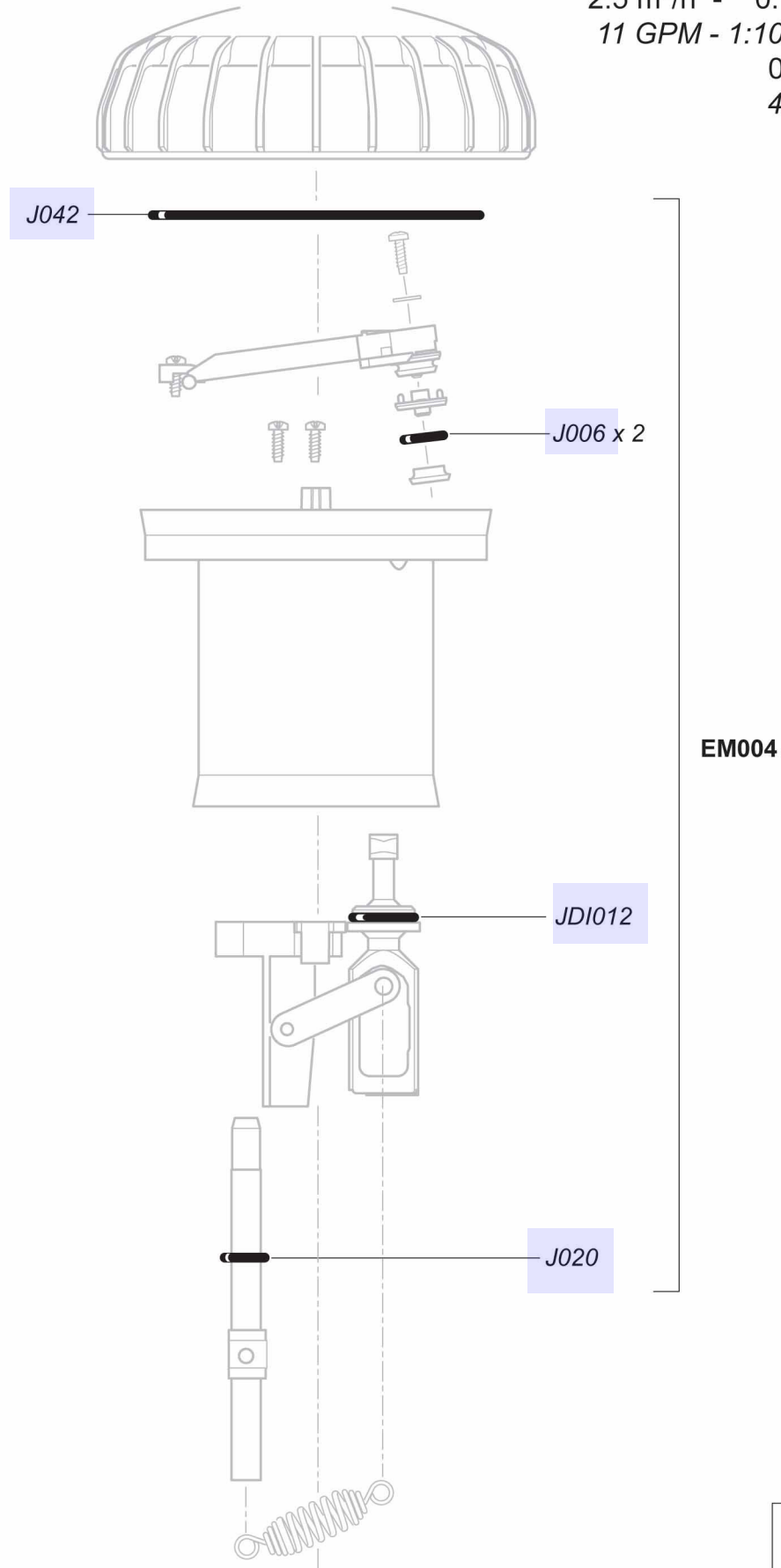
D25RE09

2.5 m³/h - 0.1 - 0.9%
11 GPM - 1:1000 - 1:111
0.3 - 6 bar
4.3 - 85 psi



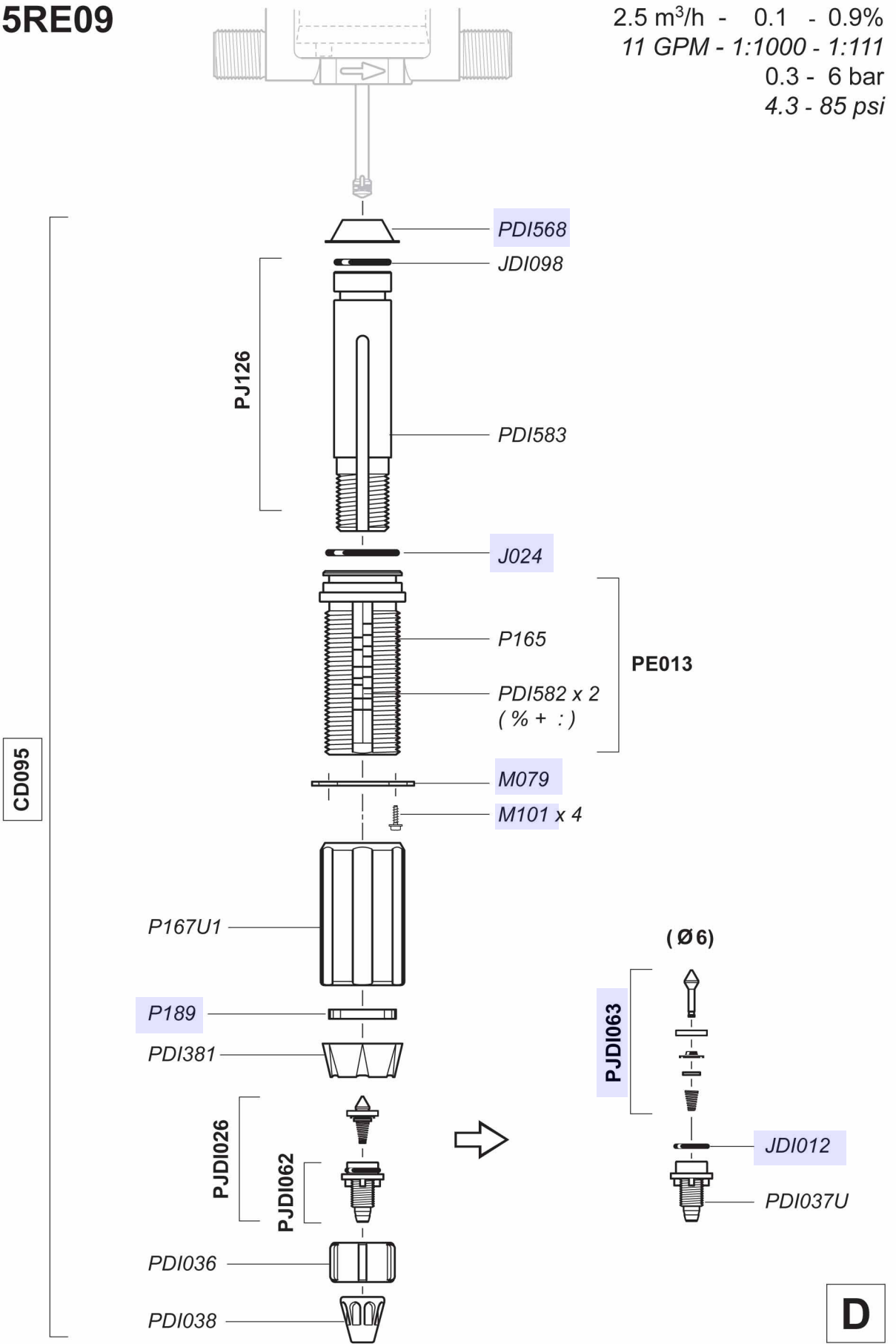
D25RE09

2.5 m³/h - 0.1 - 0.9%
11 GPM - 1:1000 - 1:111
0.3 - 6 bar
4.3 - 85 psi



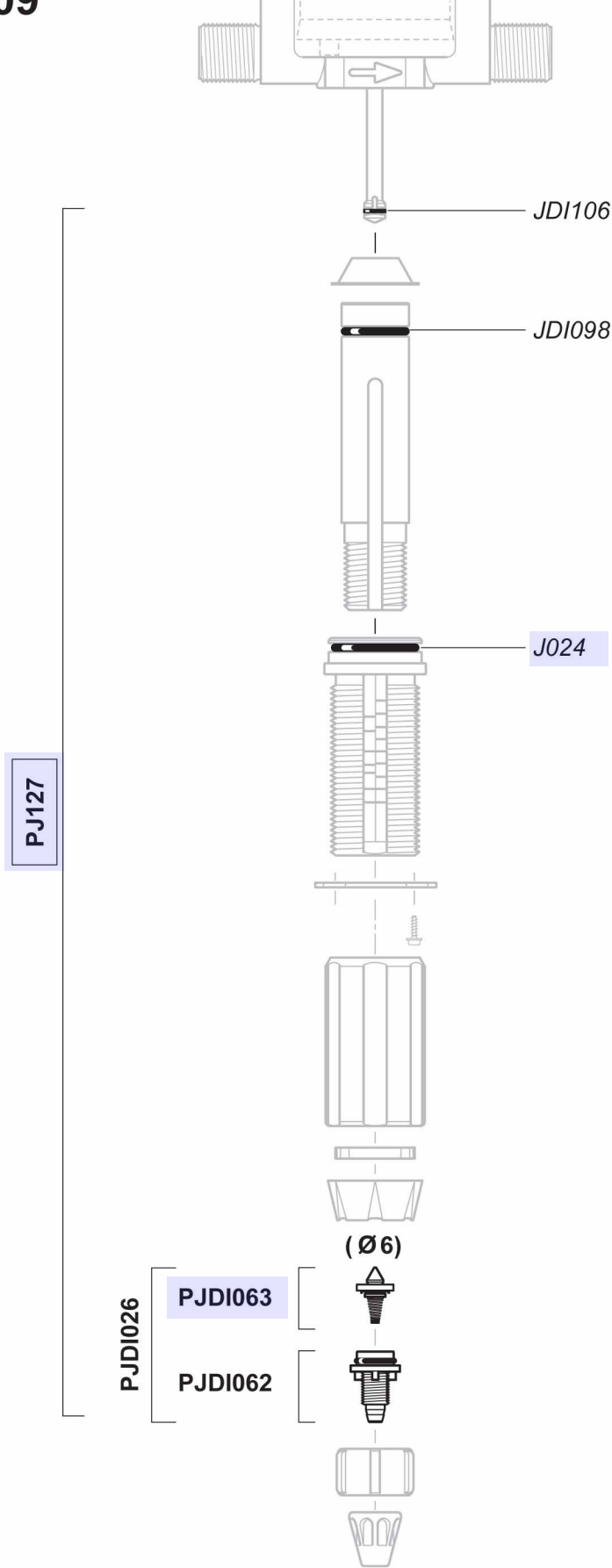
D25RE09

2.5 m³/h - 0.1 - 0.9%
 11 GPM - 1:1000 - 1:111
 0.3 - 6 bar
 4.3 - 85 psi



D25RE09

2.5 m³/h - 0.1 - 0.9%
11 GPM - 1:1000 - 1:111
0.3 - 6 bar
4.3 - 85 psi

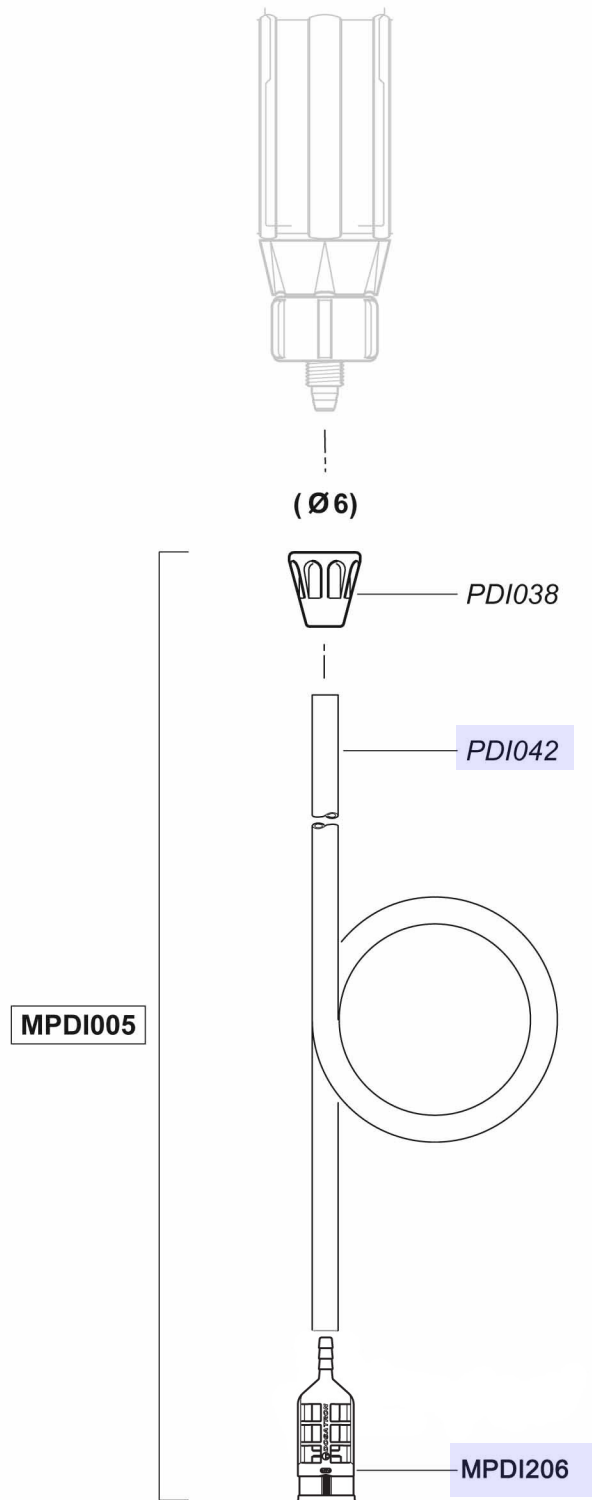


PJ127

D

D25RE09

2.5 m³/h - 0.1 - 0.9%
11 GPM - 1:1000 - 1:111
0.3 - 6 bar
4.3 - 85 psi



A