



DOSATRON®

WATER POWERED DOSING TECHNOLOGY



D132MZ1 - 132 GPM INTERACTIVE SCHEMATICS

UNIT SPECIFICATIONS

- 1:1000 - 1:100
- 7 - 87 PSI
- 3" NPT Connection

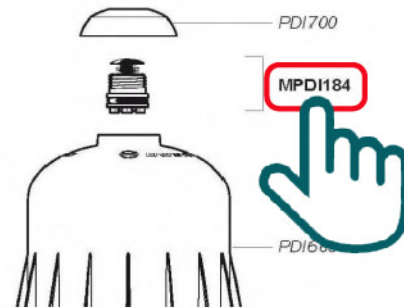
SUGGESTED INSTALLATION

- 200 mesh/80 micron water filter prior to the unit
- One-way check valve down-stream from the unit for water hammer protection

SUGGESTED MAINTENANCE

- Mini-Maintenance Kit
Part #: [PJDI122MINI-H](#)
For regular maintenance
- Injection Seal Kit
Part #: [PJDI122](#)
For yearly maintenance
- Rebuild Kit
Part #: [MKD14MZ10](#)
Extends the life of your unit

DOCUMENT INSTRUCTIONS

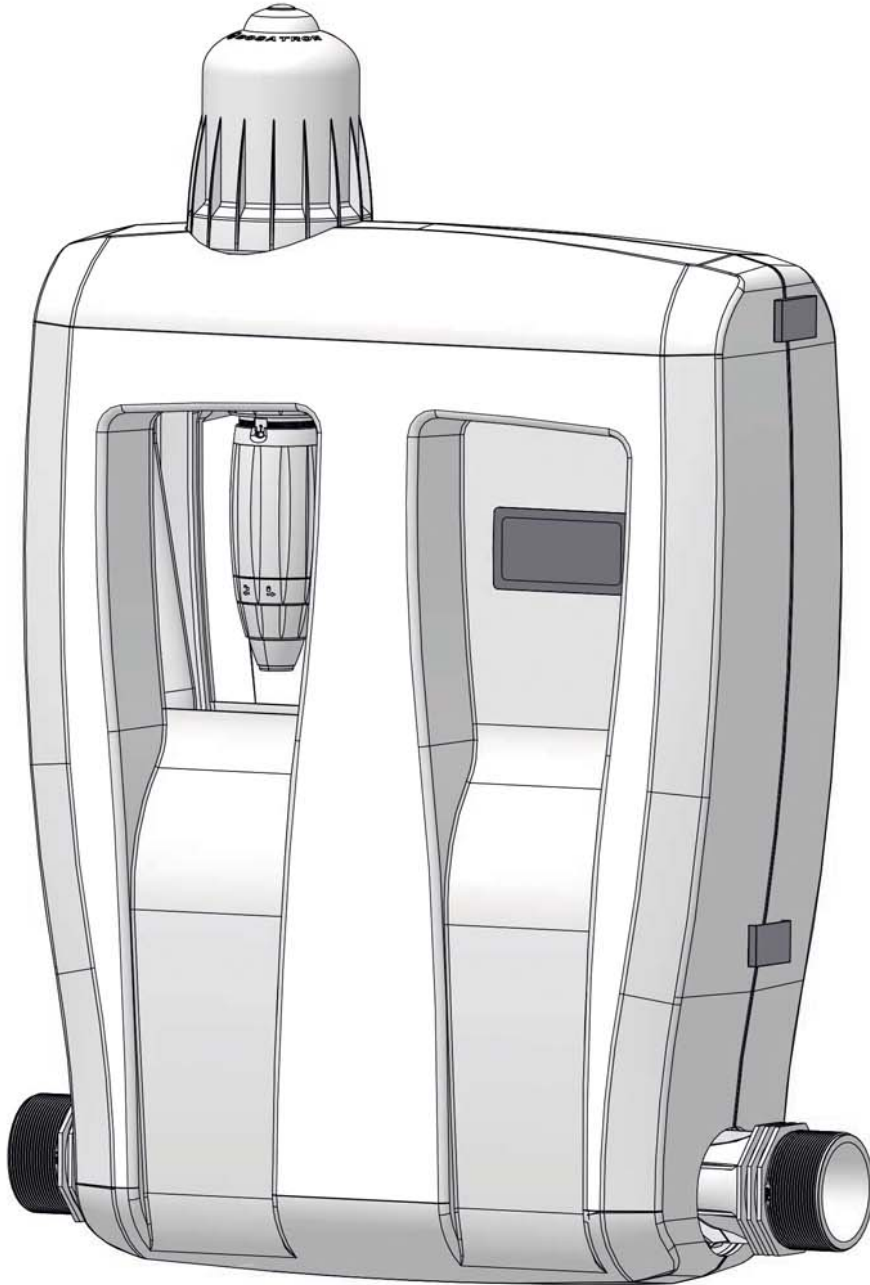


- Click on a part #, to visit item page
- Click arrow back from item page, to return to this document



D132MZ1

132 GPM - 1:1000 - 1:100
0.1% - 1%
7 - 87 PSI
0.5 - 6 bar



Injection Seal Kit Part # **PJDI122**
Mini Maintenance Kit Part # **PJDI122MINI-H**
Rebuild Kit Part # **MKD14MZ10**

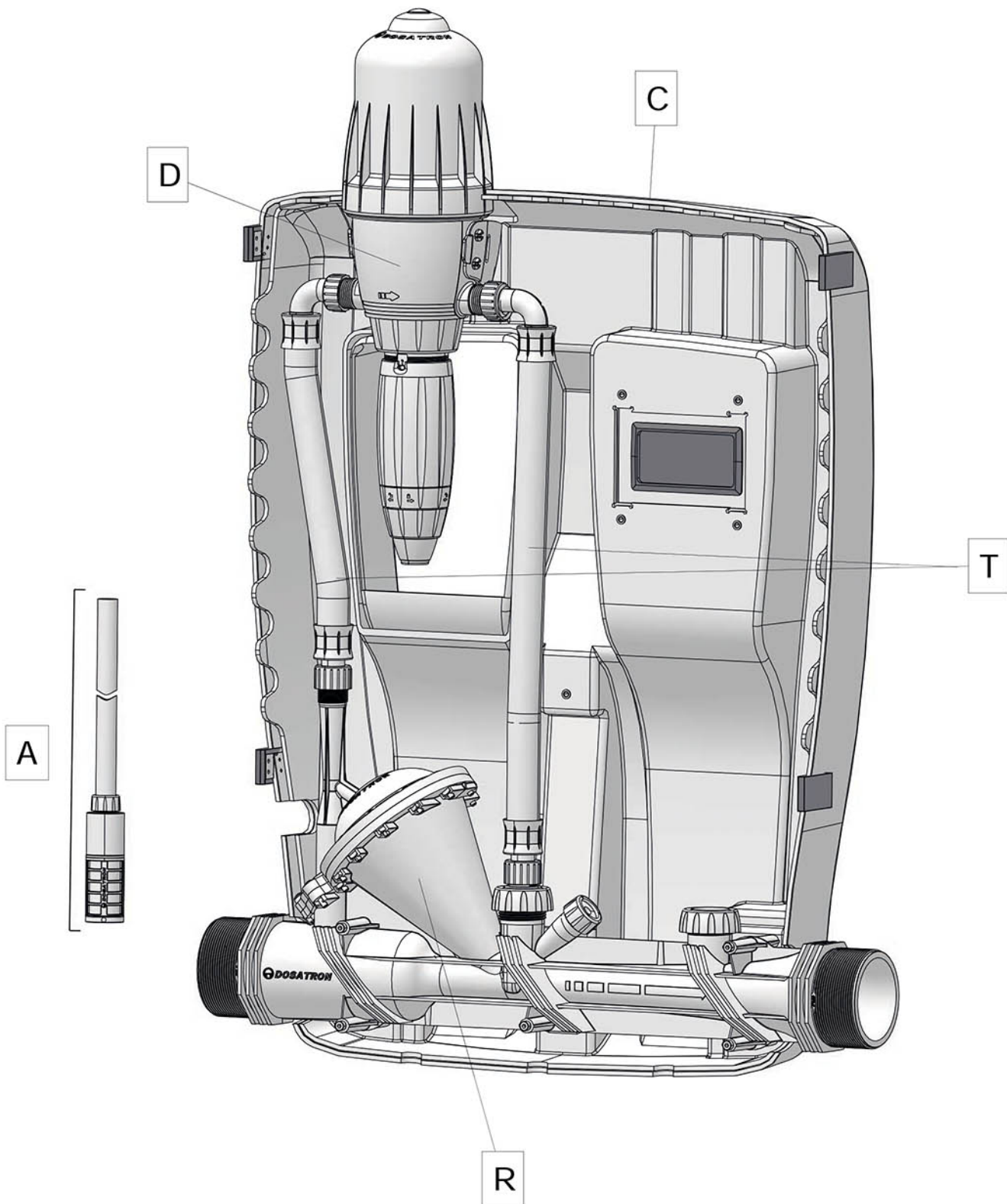
D132MZ1

132 GPM - 1:1000 - 1:100

0.1% - 1%

7 - 87 PSI

0.5 - 6 bar



D132MZ1

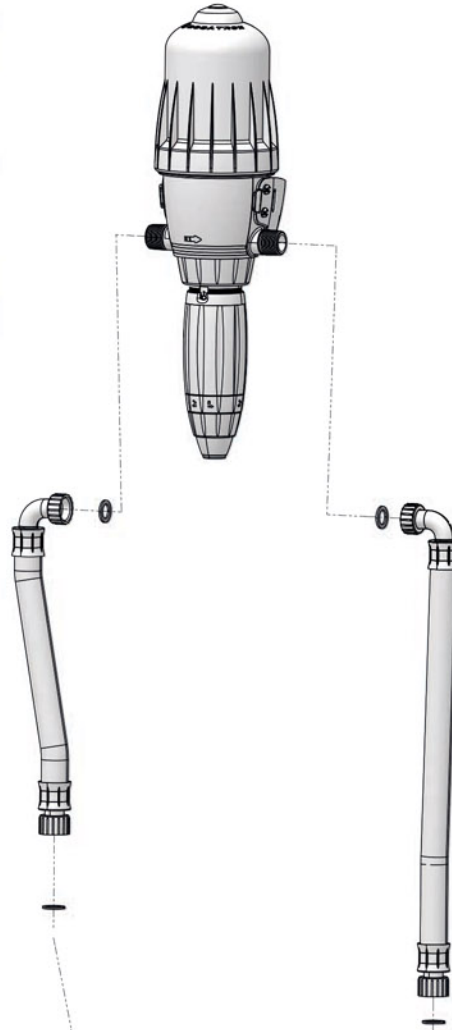
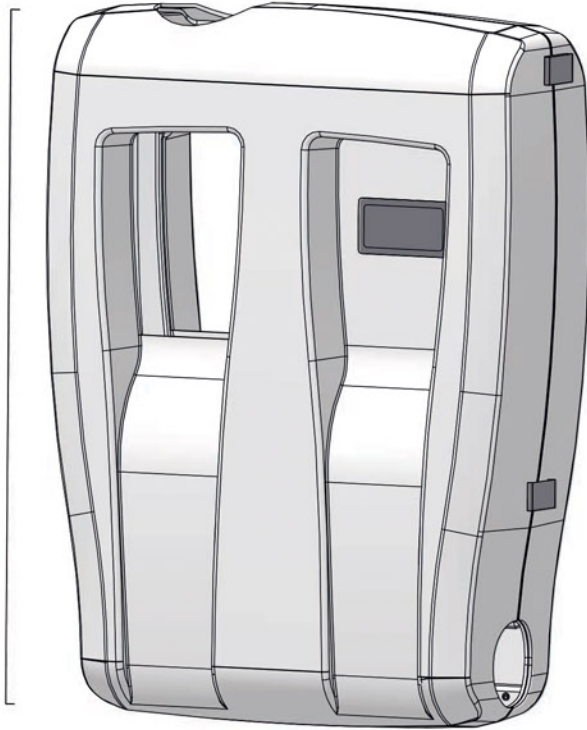
132 GPM - 1:1000 - 1:100

0.1% - 1%

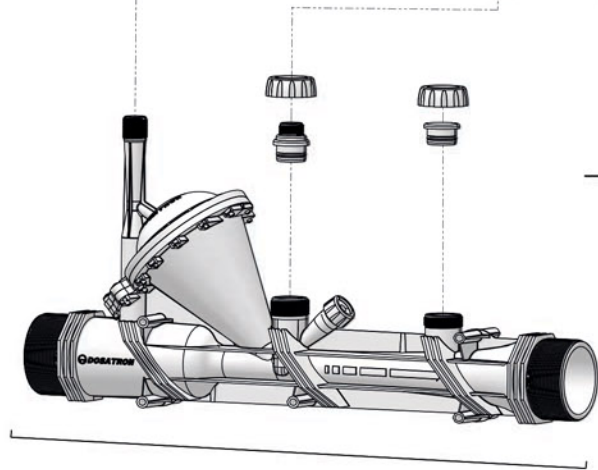
7 - 87 PSI

0.5 - 6 bar

PJDI176



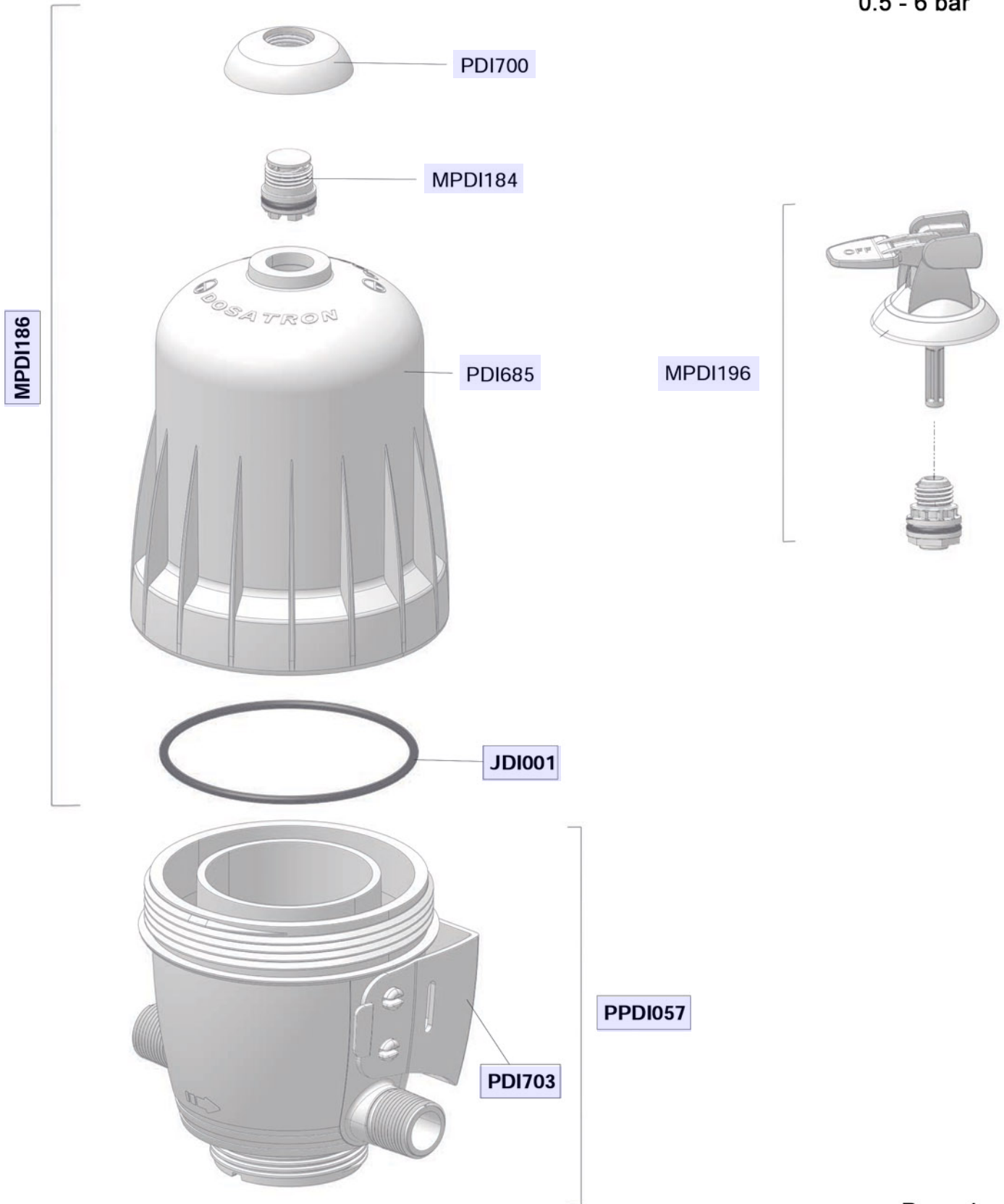
PJDI182



PJDI177NPT

D132MZ1

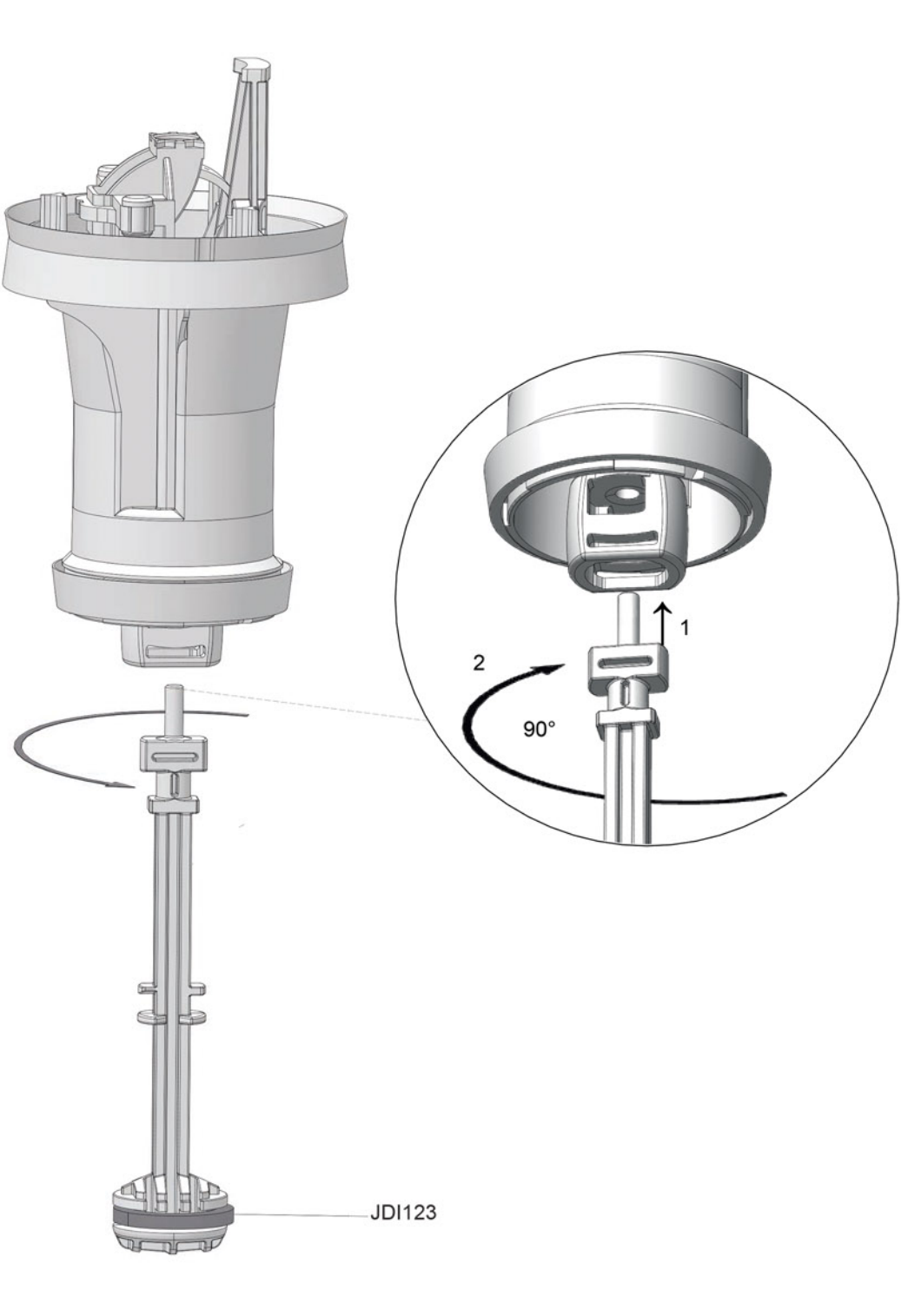
132 GPM - 1:1000 - 1:100
0.1% - 1%
7 - 87 PSI
0.5 - 6 bar



D132MZ1

132 GPM - 1:1000 - 1:100
0.1% - 1%
7 - 87 PSI
0.5 - 6 bar

PCDI030

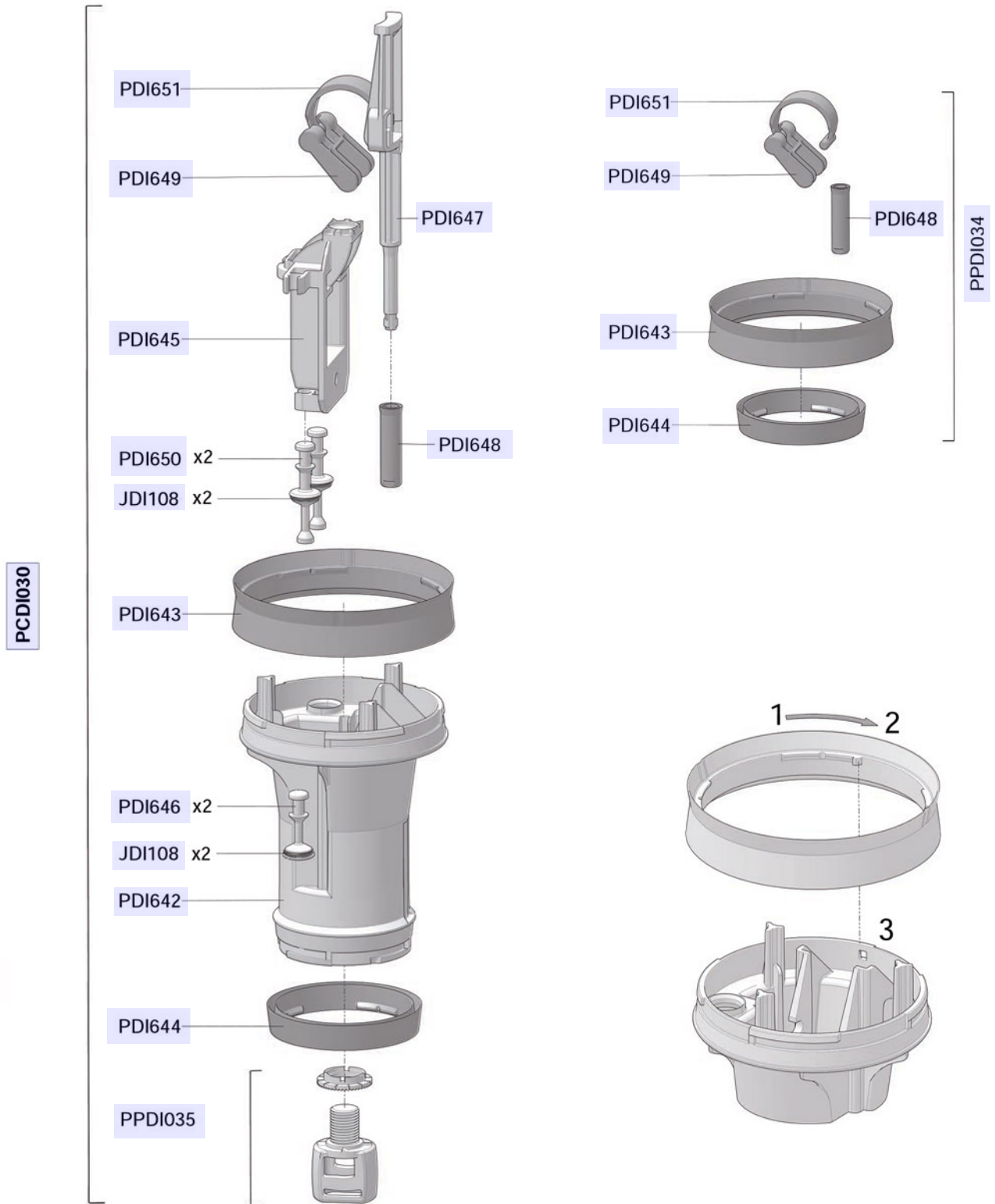


PJD121

JDI123

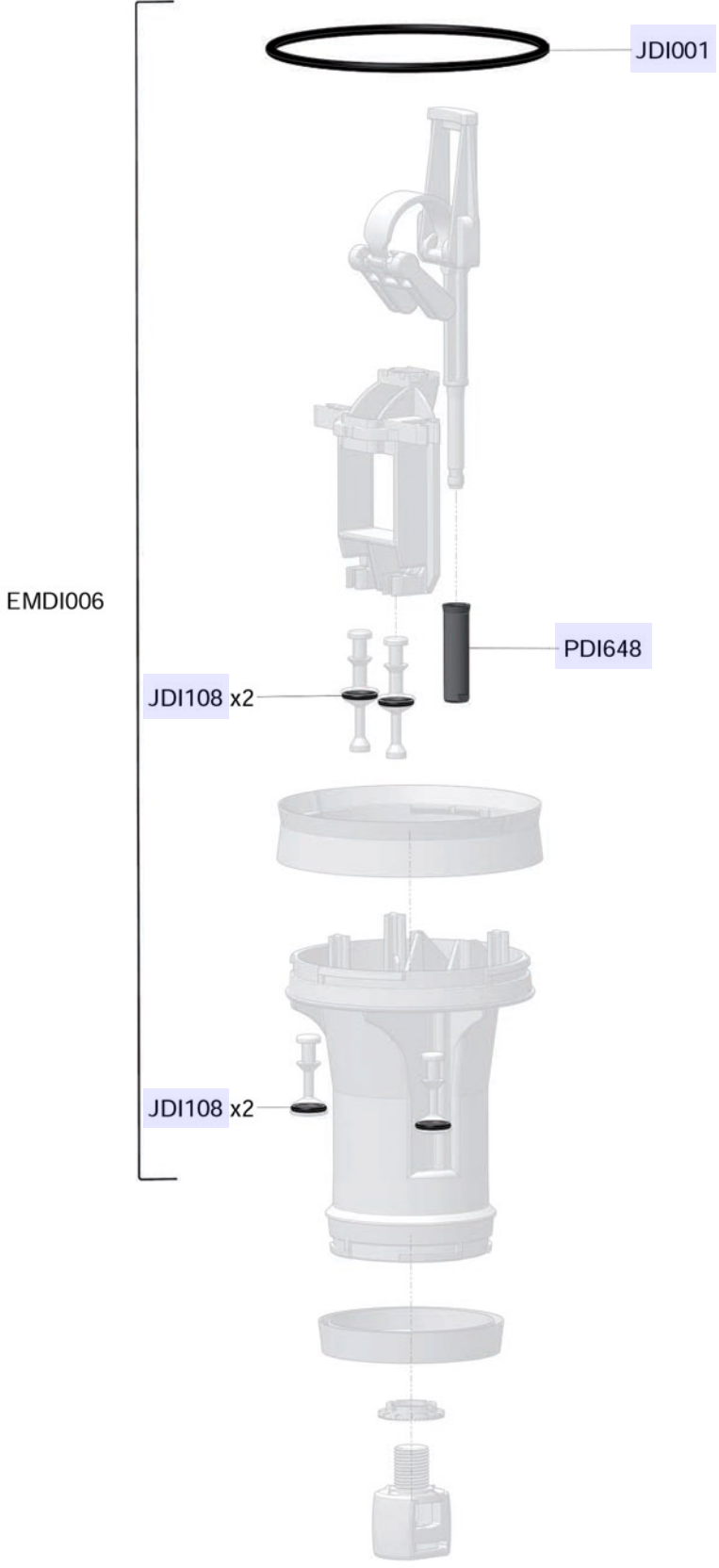
D132MZ1

132 GPM - 1:1000 - 1:100
0.1% - 1%
7 - 87 PSI
0.5 - 6 bar



D132MZ1

132 GPM - 1:1000 - 1:100
0.1% - 1%
7 - 87 PSI
0.5 - 6 bar



D132MZ1

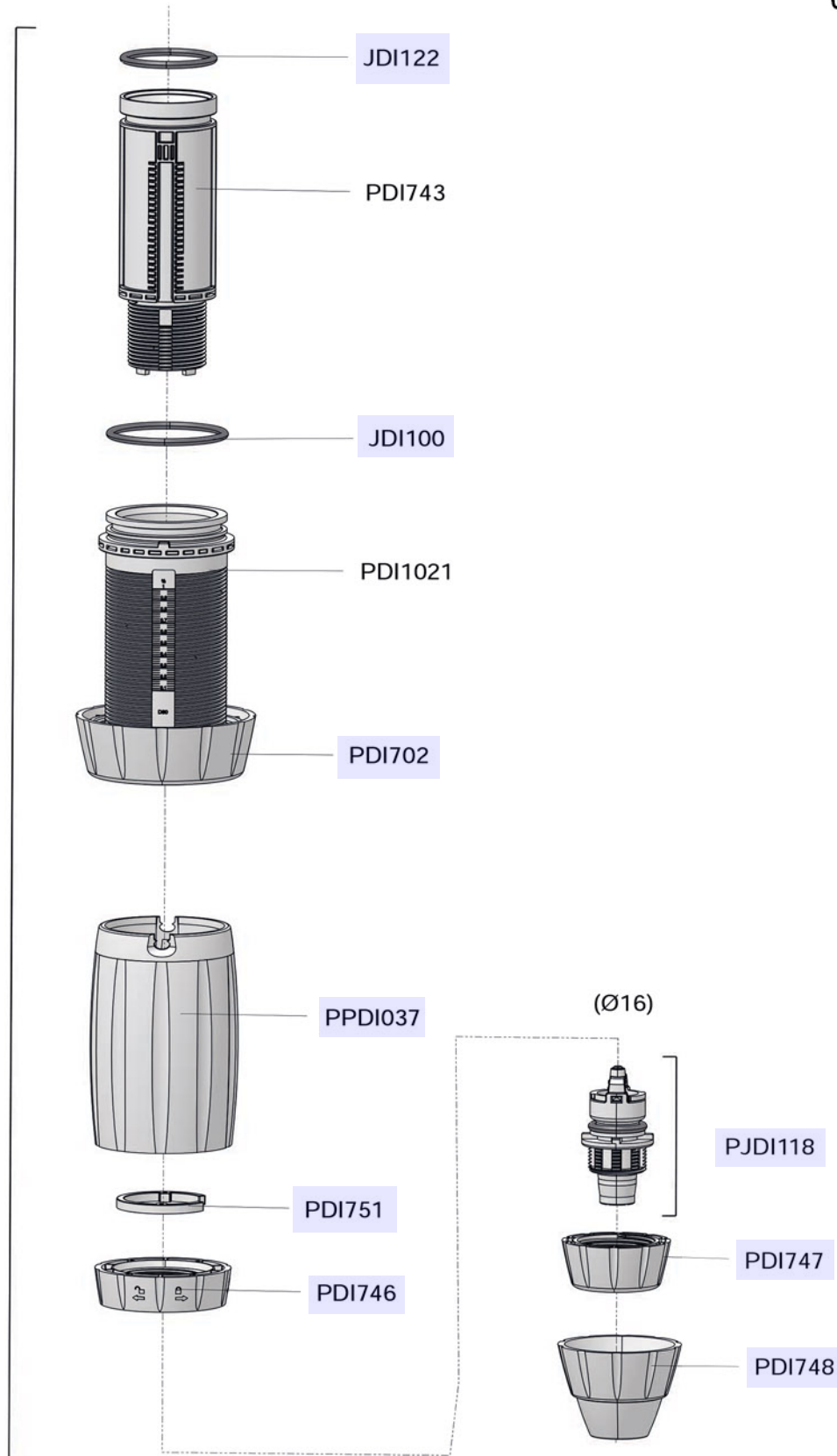
132 GPM - 1:1000 - 1:100

0.1% - 1%

7 - 87 PSI

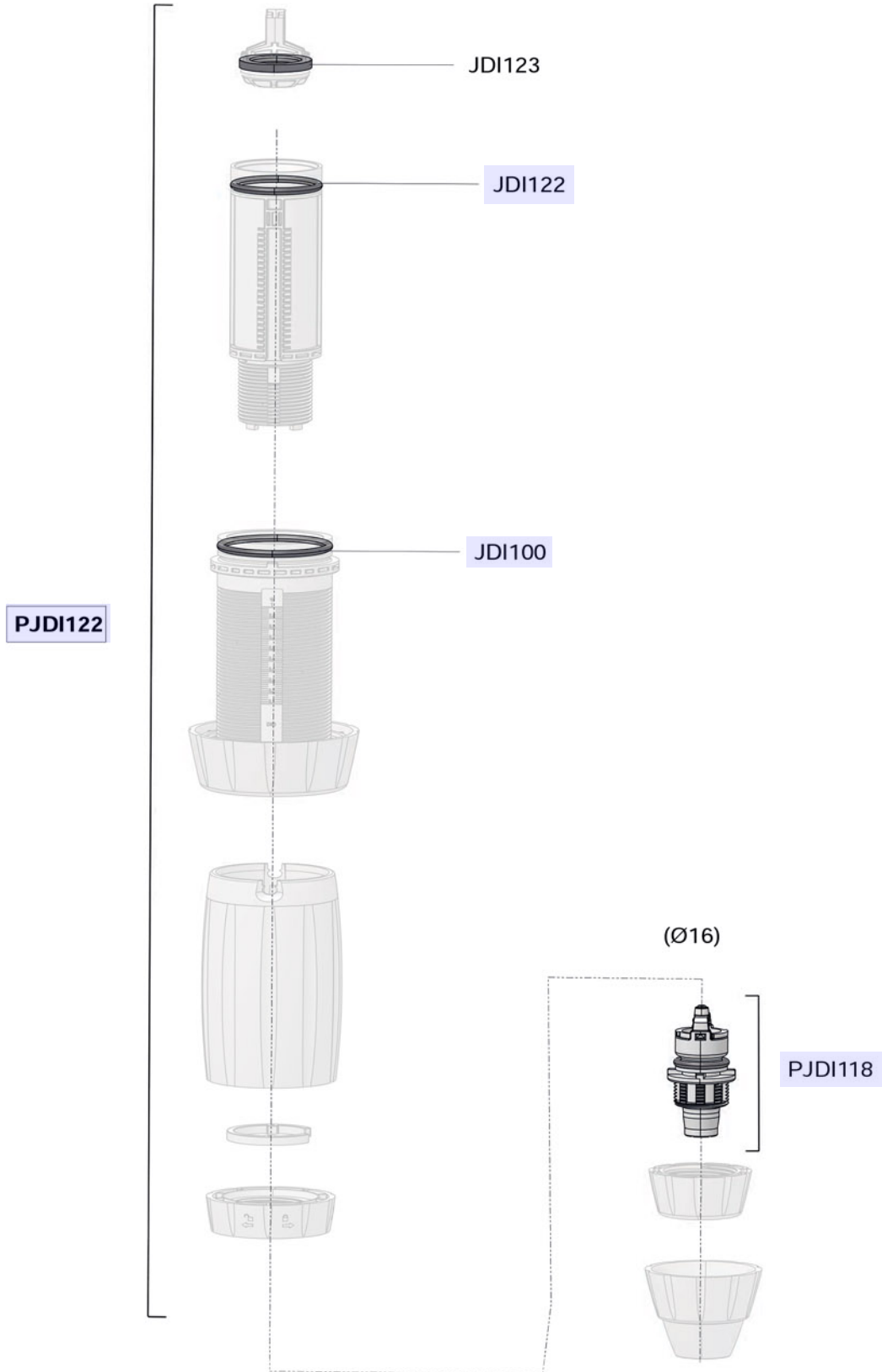
0.5 - 6 bar

CDDI087



D132MZ1

132 GPM - 1:1000 - 1:100
0.1% - 1%
7 - 87 PSI
0.5 - 6 bar



D132MZ1

132 GPM - 1:1000 - 1:100
0.1% - 1%
7 - 87 PSI
0.5 - 6 bar

