



DOSATRON®

WATER POWERED DOSING TECHNOLOGY



D14WL3000NAF - 14 GPM INTERACTIVE SCHEMATICS

UNIT SPECIFICATIONS

- 1:3000 - 1:333
- 4.3 - 85 PSI
- 3/4" NPT Connection

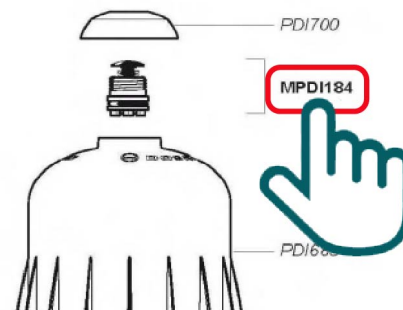
SUGGESTED INSTALLATION

- 200 mesh/80 micron water filter prior to the unit
- One-way check valve down-stream from the unit for water hammer protection

SUGGESTED MAINTENANCE

- Injection Seal Kit
Part #: [PJDI139NAF](#)
For yearly maintenance

DOCUMENT INSTRUCTIONS



- Click on a part #, to visit item page
- Click arrow back from item page, to return to this document



D14WL3000NAF



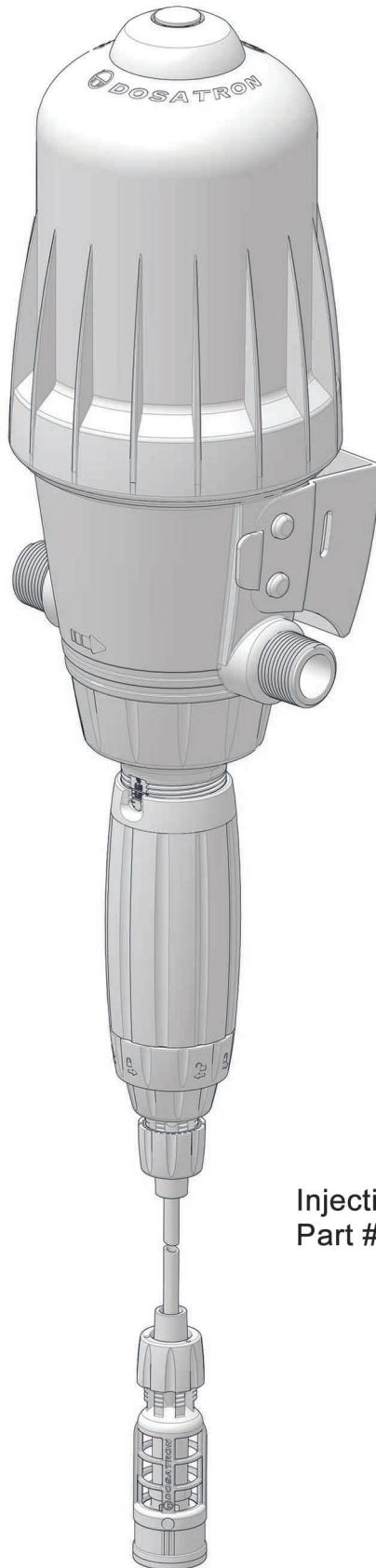
Certified to
NSF/ANSI 61 & 372

14 GPM - 1:3000 - 1:333

$3\text{m}^3/\text{h}$ - 0.03 - 0.3%

4.3 - 85 psi

0.3 - 6 bar



Injection Seal Kit
Part #: PJD1139NAF

D14WL3000NAF



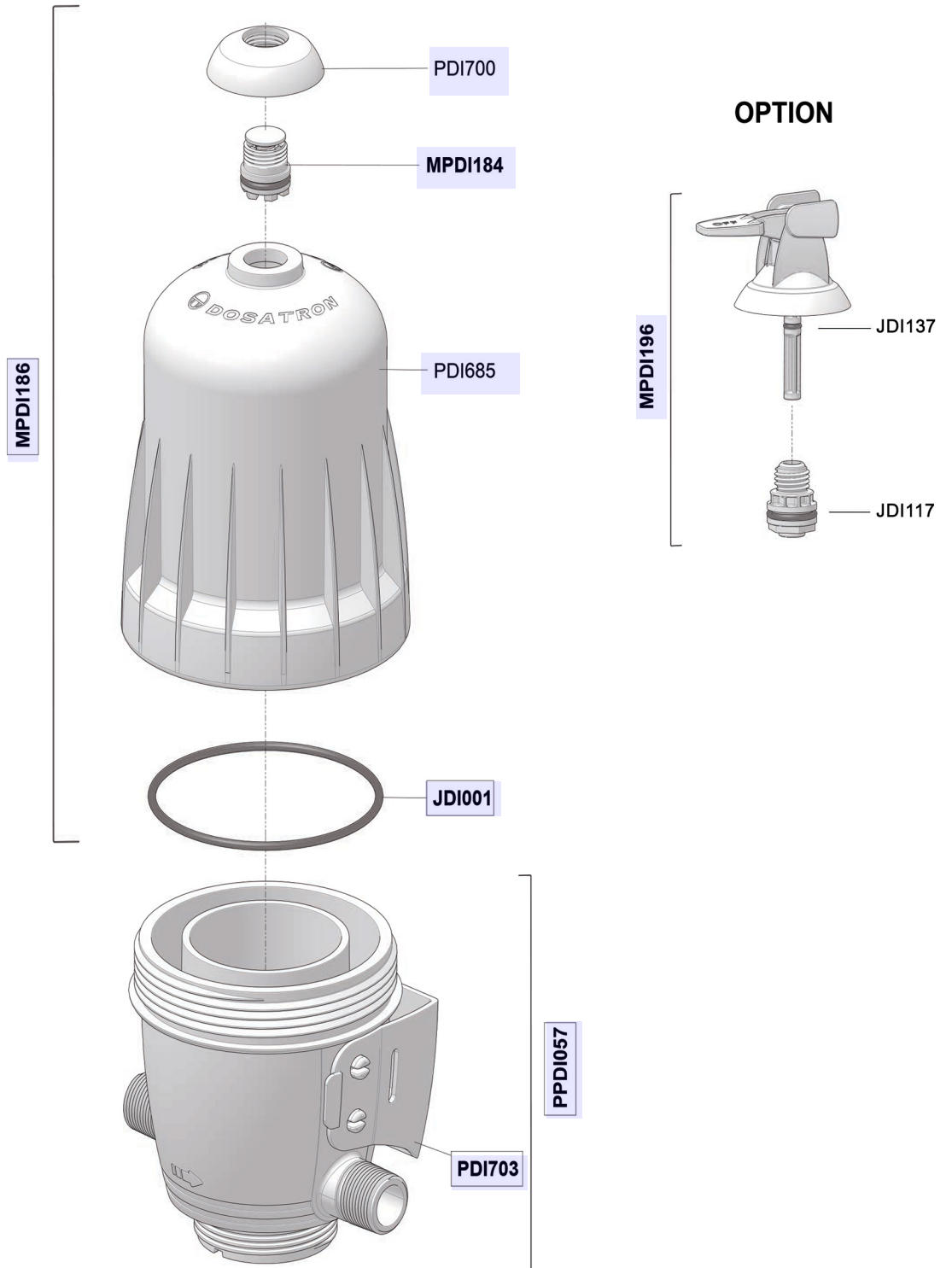
Certified to
NSF/ANSI 61 & 372

14 GPM - 1:3000 - 1:333

$3m^3/h$ - 0.03 - 0.3%

4.3 - 85 psi

0.3 - 6 bar



D14WL3000NAF



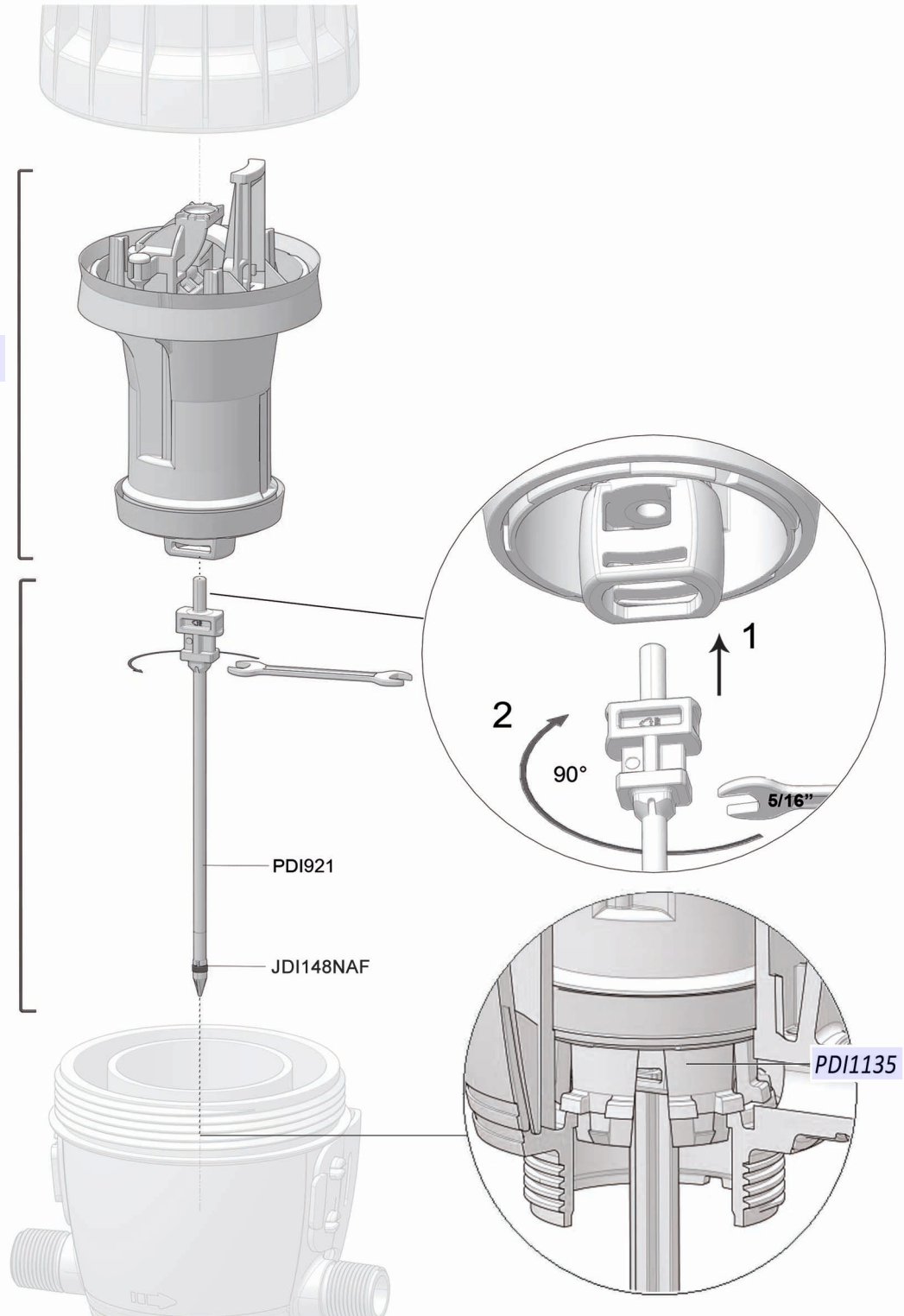
Certified to
NSF/ANSI 61 & 372

14 GPM - 1:3000 - 1:333

3m³/h - 0.03 - 0.3%

4.3 - 85 psi

0.3 - 6 bar



D14WL3000NAF



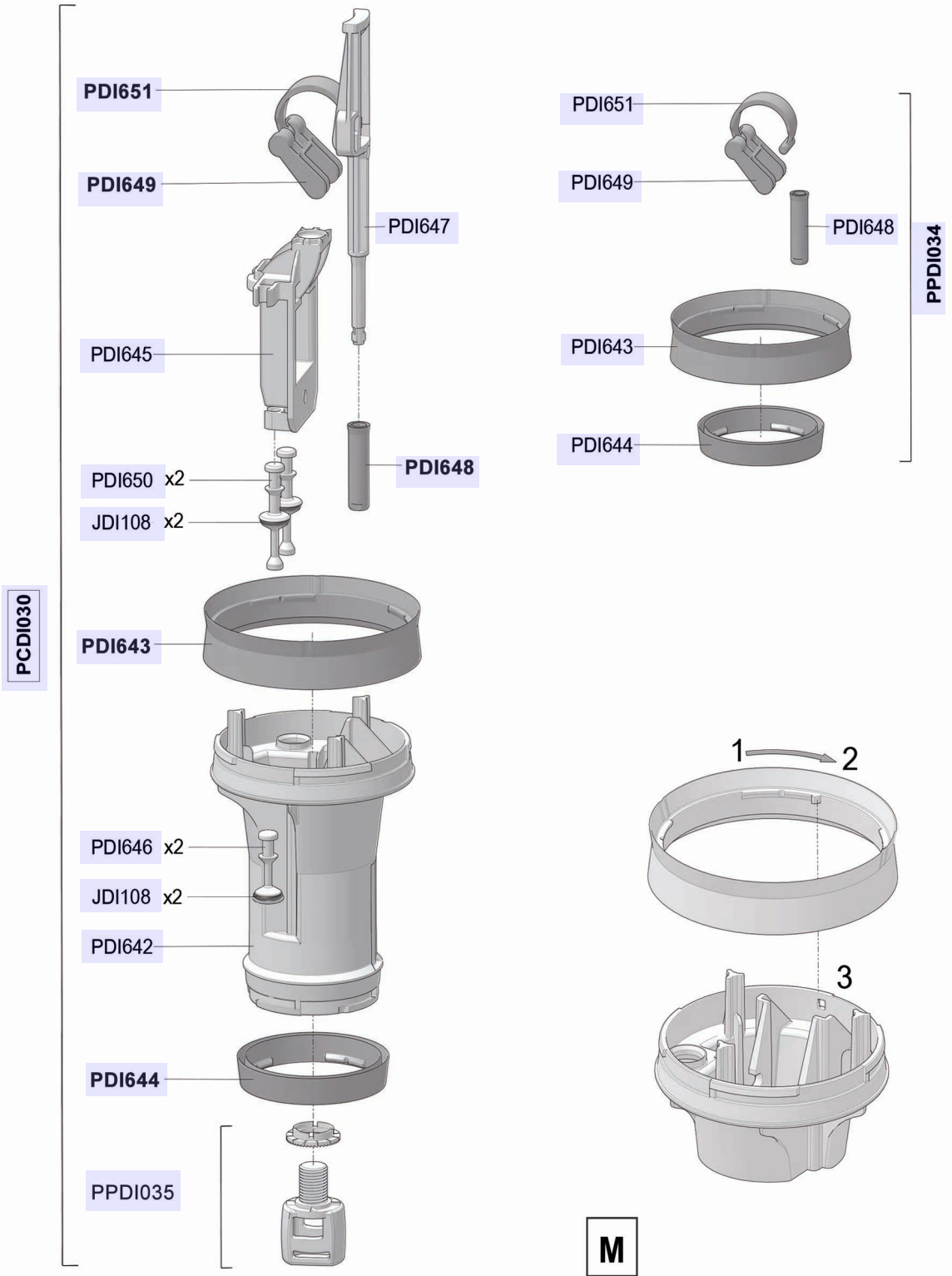
Certified to
NSF/ANSI 61 & 372

14 GPM - 1:3000 - 1:333

3m³/h - 0.03 - 0.3%

4.3 - 85 psi

0.3 - 6 bar



D14WL3000NAF



Certified to
NSF/ANSI 61 & 372

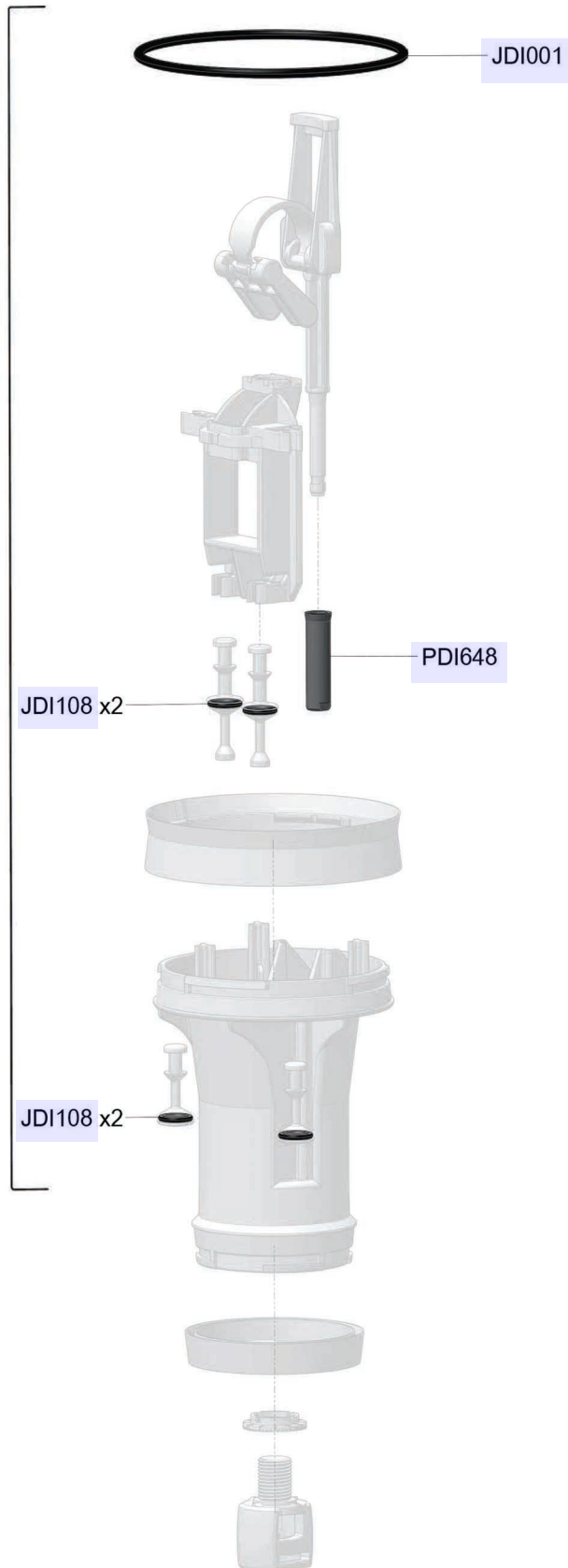
14 GPM - 1:3000 - 1:333

$3m^3/h$ - 0.03 - 0.3%

4.3 - 85 psi

0.3 - 6 bar

EMDI006



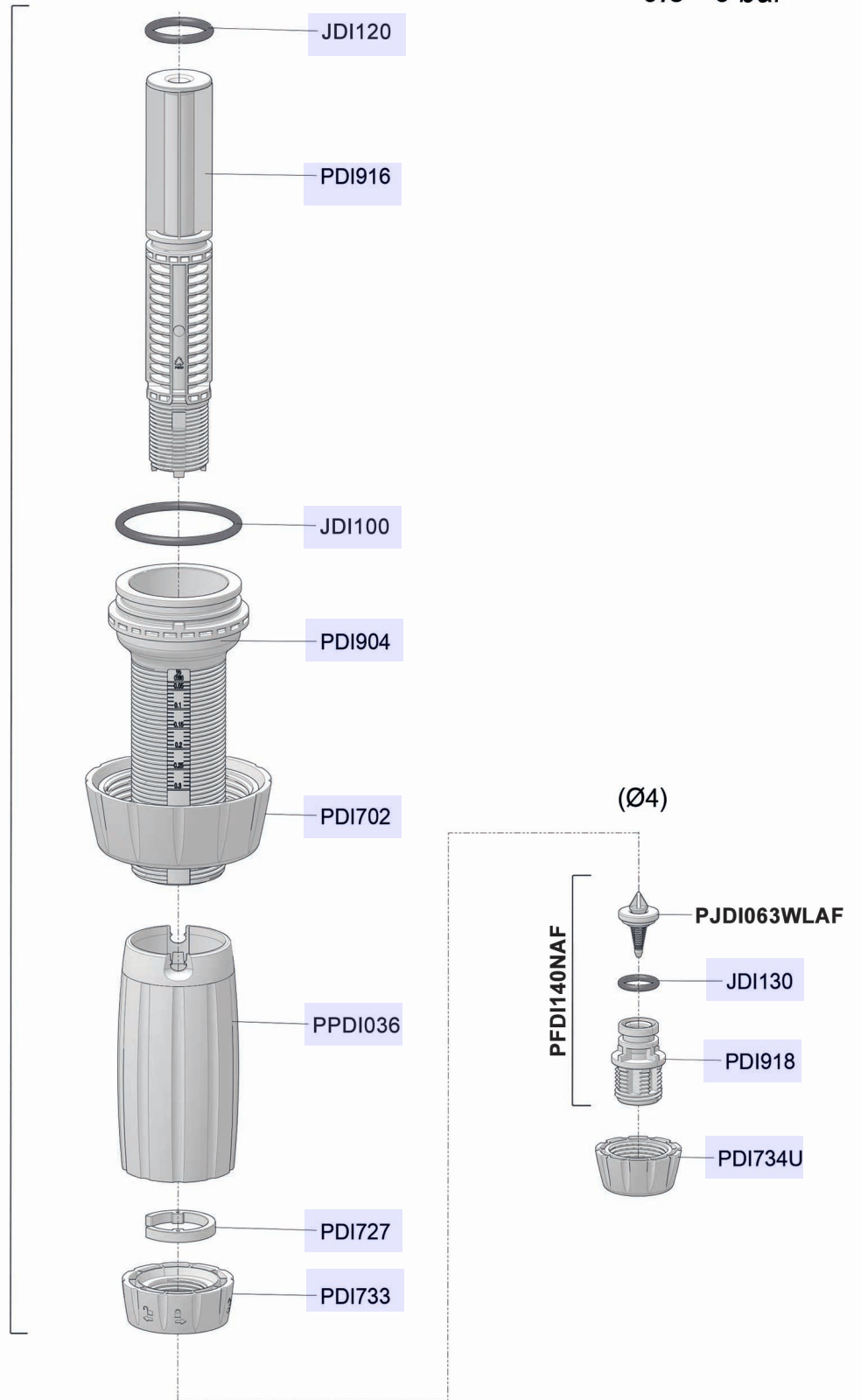
D14WL3000NAF



Certified to
NSF/ANSI 61 & 372

14 GPM - 1:3000 - 1:333
3m³/h - 0.03 - 0.3%
4.3 - 85 psi
0.3 - 6 bar

CDDI079NAF



D14WL3000NAF



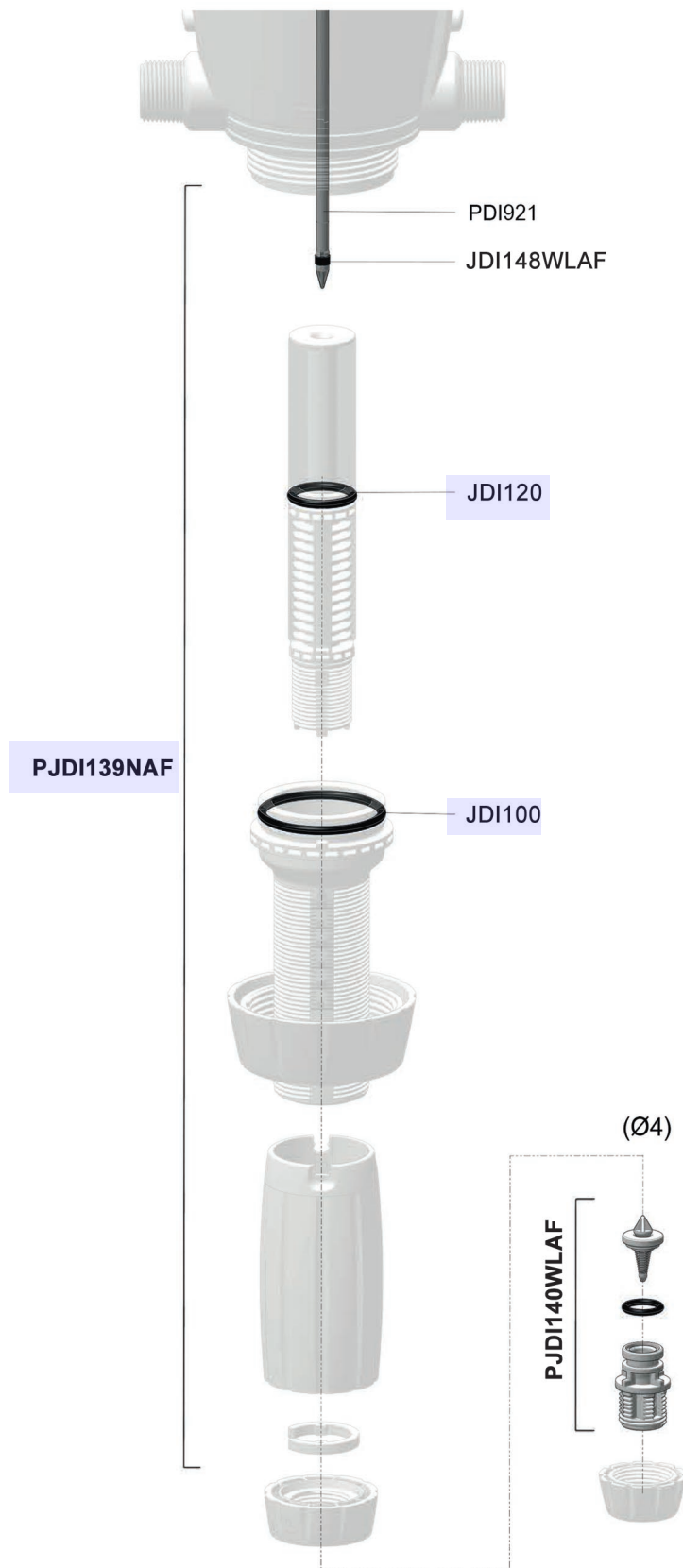
Certified to
NSF/ANSI 61 & 372

14 GPM - 1:3000 - 1:333

$3m^3/h - 0.03 - 0.3\%$

4.3 - 85 psi

0.3 - 6 bar



D14WL3000NAF



Certified to
NSF/ANSI 61 & 372

14 GPM - 1:3000 - 1:333

$3m^3/h - 0.03 - 0.3\%$

4.3 - 85 psi

0.3 - 6 bar

(Ø4)

MPDI205

