



DOSATRON®

WATER POWERED DOSING TECHNOLOGY



D25RE2 - 11 GPM INTERACTIVE SCHEMATICS

UNIT SPECIFICATIONS

- 1:500 - 1:50
- 4.3 - 85 PSI
- 3/4" NPT Connection

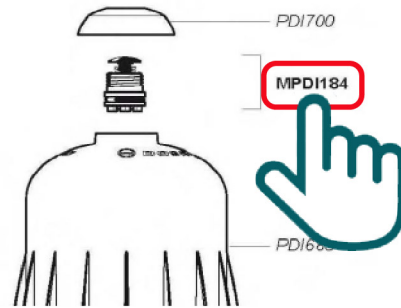
SUGGESTED INSTALLATION

- 200 mesh/80 micron water filter prior to the unit
- One-way check valve down-stream from the unit for water hammer protection

SUGGESTED MAINTENANCE

- Mini-Maintenance Kit
Part #: [PJ117MINI-H](#)
For regular maintenance
- Injection Seal Kit
Part #: [PJ093](#)
For yearly maintenance
- Rebuild Kit
Part #: [MKD25RE2](#)
Extends the life of your unit

DOCUMENT INSTRUCTIONS



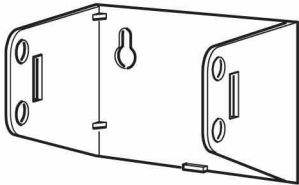
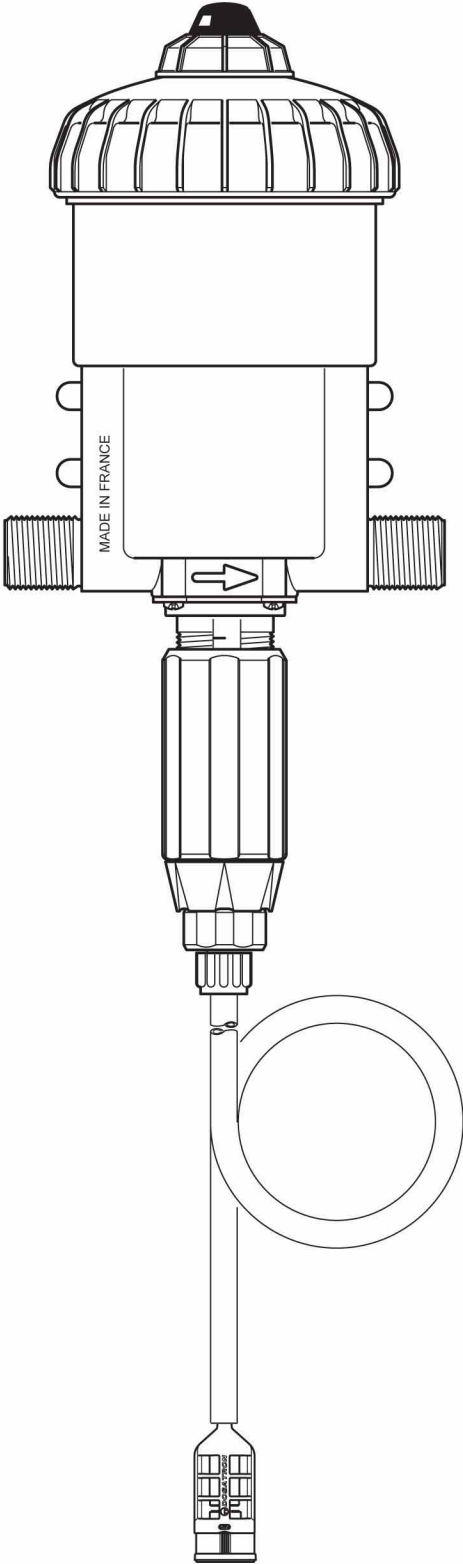
- Click on a part #, to visit item page
- Click arrow back from item page, to return to this document



D25RE2

11/03

11 GPM - 1:500 - 1:50
4.3 - 85 psi

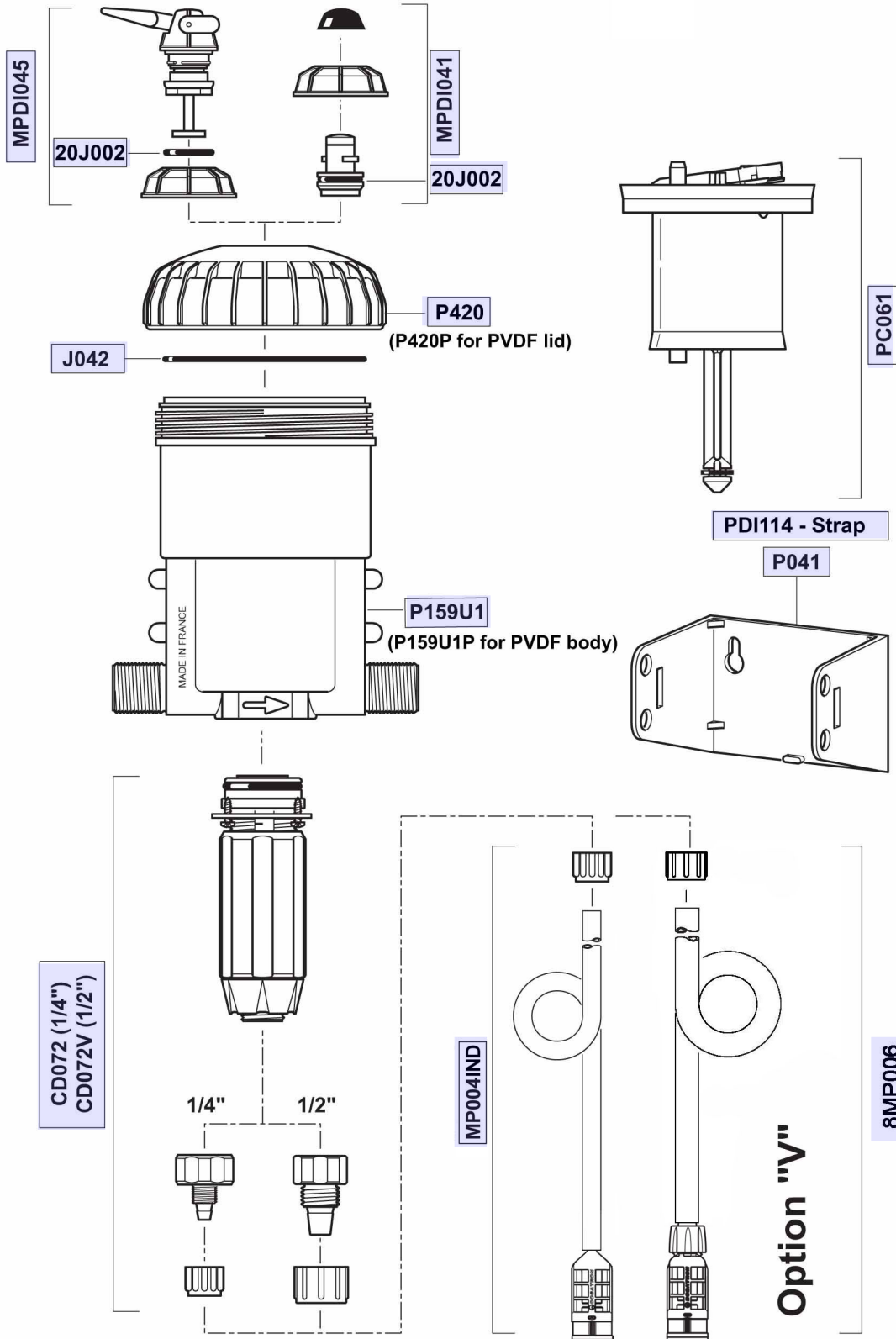


Injection Seal Kit Part #: PJ093

D25RE2

11/03

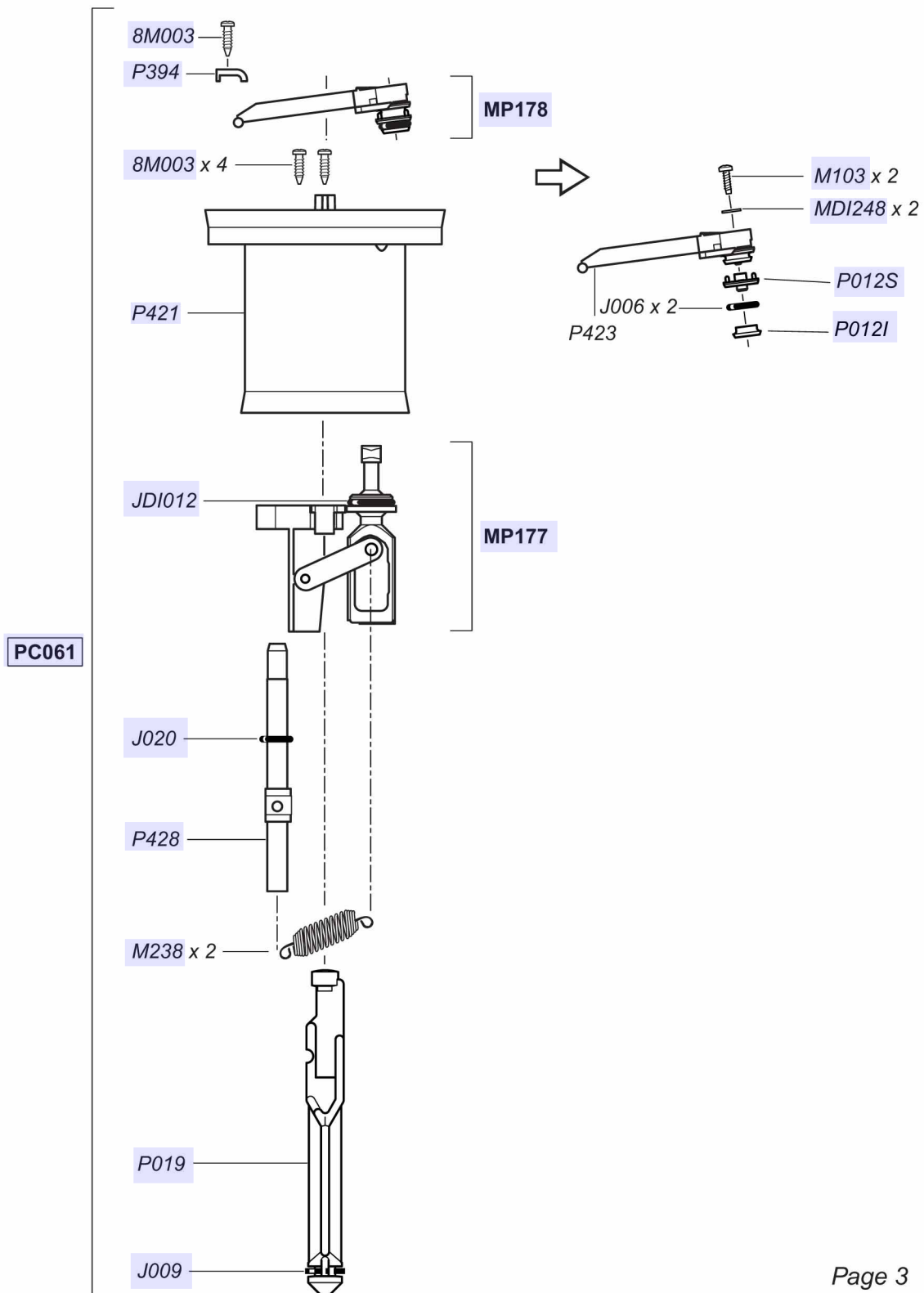
11 GPM - 1:500 - 1:50
4.3 - 85 psi



D25RE2

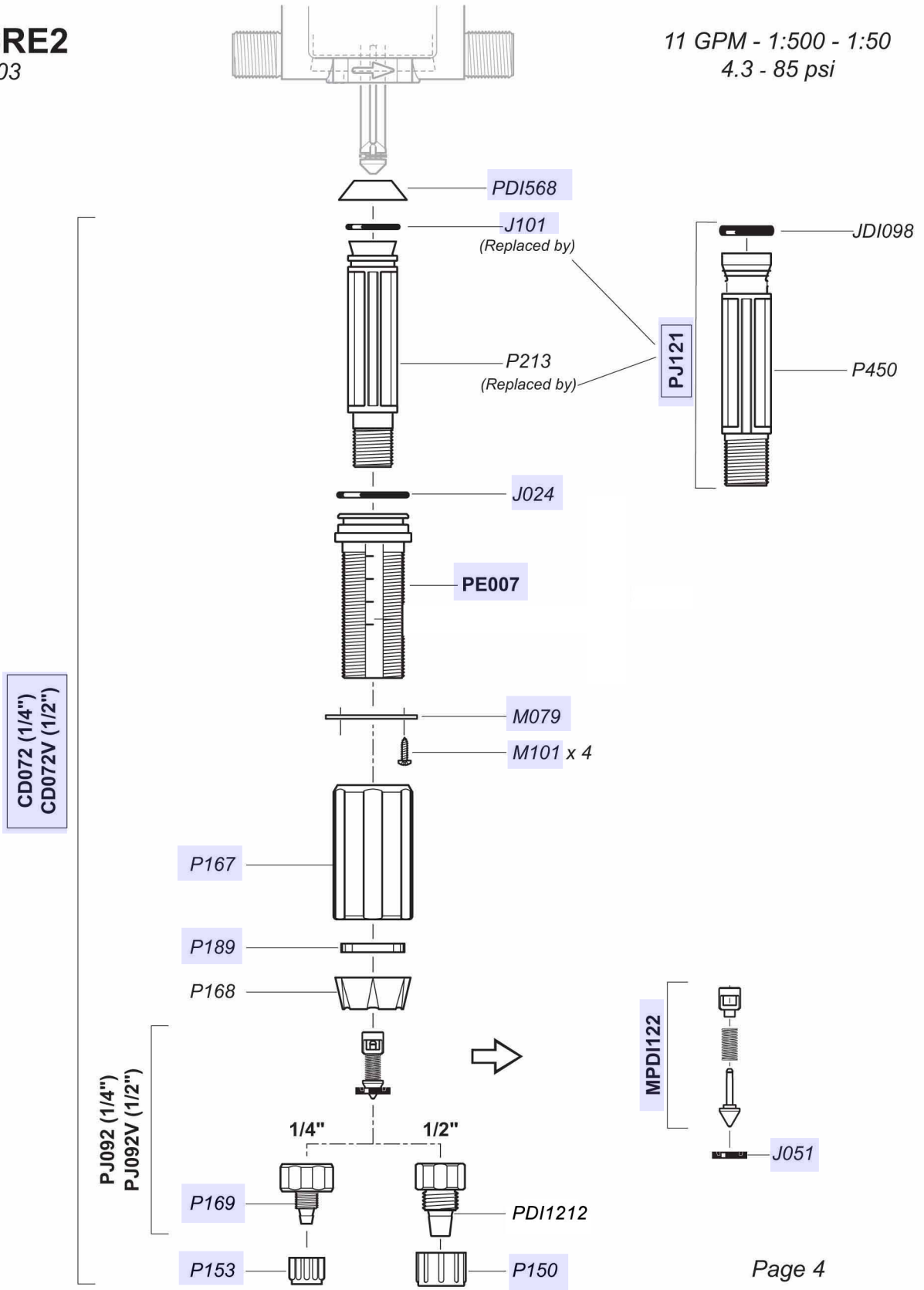
11/03

11 GPM - 1:500 - 1:50
4.3 - 85 psi



D25RE2
11/03

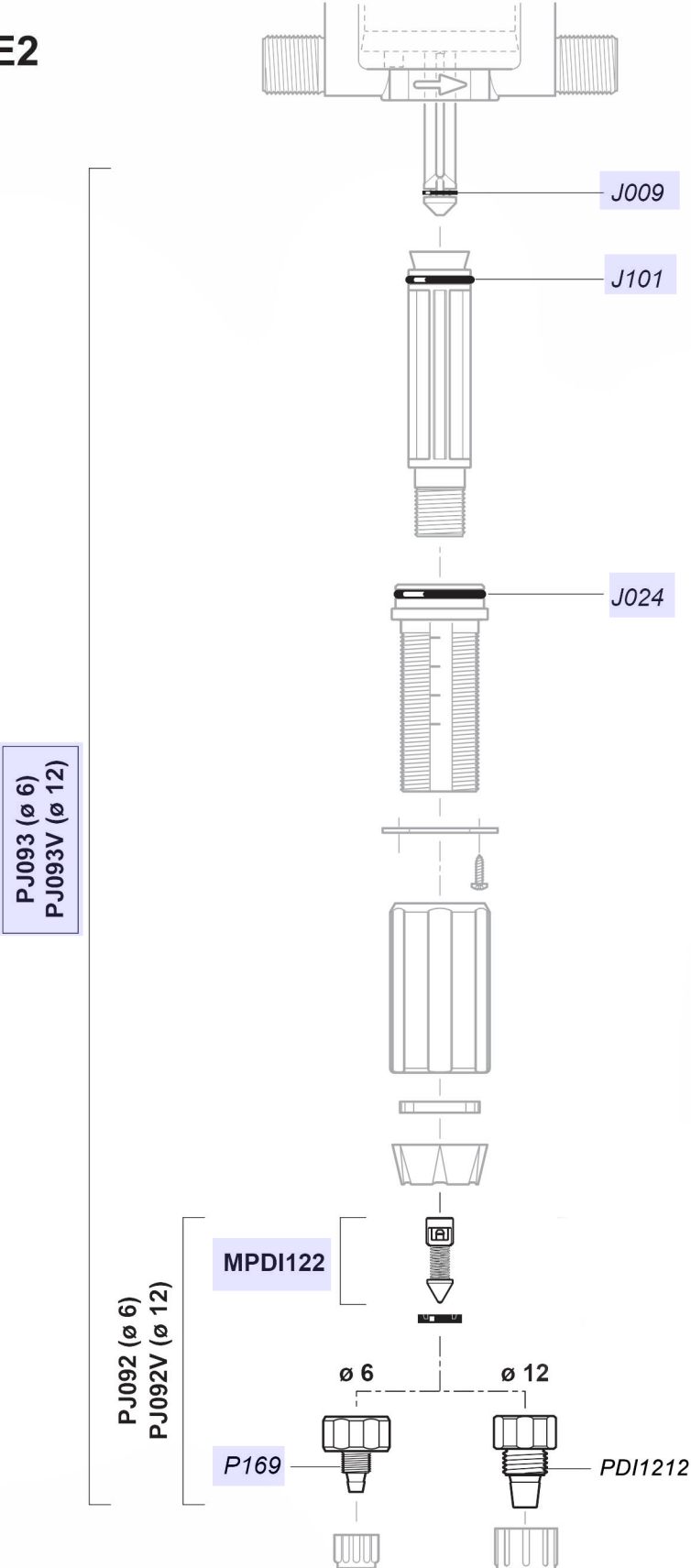
11 GPM - 1:500 - 1:50
4.3 - 85 psi



D25RE2

11/03

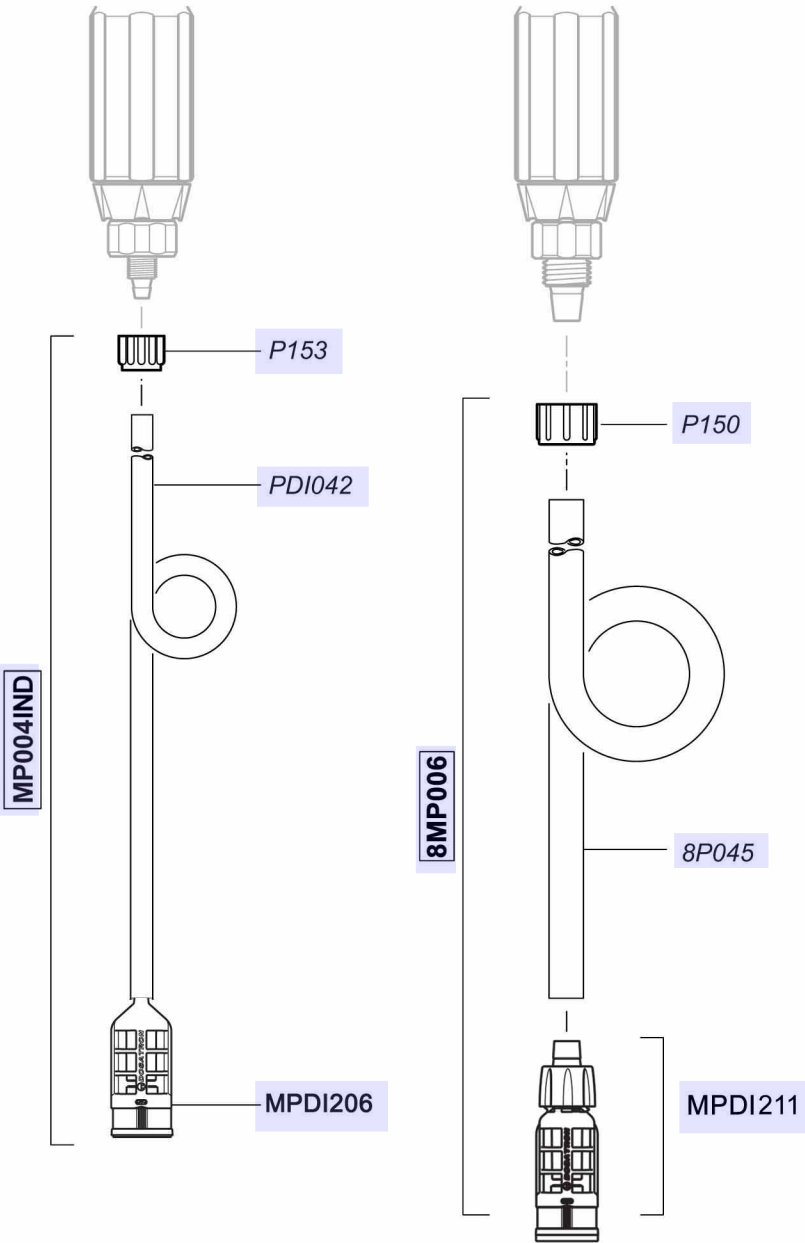
11 GPM - 1:500 - 1:50
4.3 - 85 psi



D25RE2

11/03

11 GPM - 1:500 - 1:50
4.3 - 85 psi



Option "V"