



DOSATRON®

WATER POWERED DOSING TECHNOLOGY



D07RE125 - 3 GPM INTERACTIVE SCHEMATICS

UNIT SPECIFICATIONS

- 1:667 - 1:80
- 4.3 - 85 PSI
- 3/4" NPT Connection

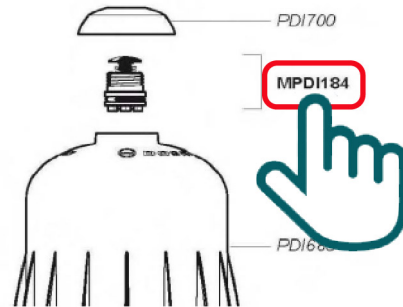
SUGGESTED INSTALLATION

- 200 mesh/80 micron water filter prior to the unit
- One-way check valve down-stream from the unit for water hammer protection

SUGGESTED MAINTENANCE

- Injection Seal Kit
Part #: [PJDI106](#)
For yearly maintenance

DOCUMENT INSTRUCTIONS

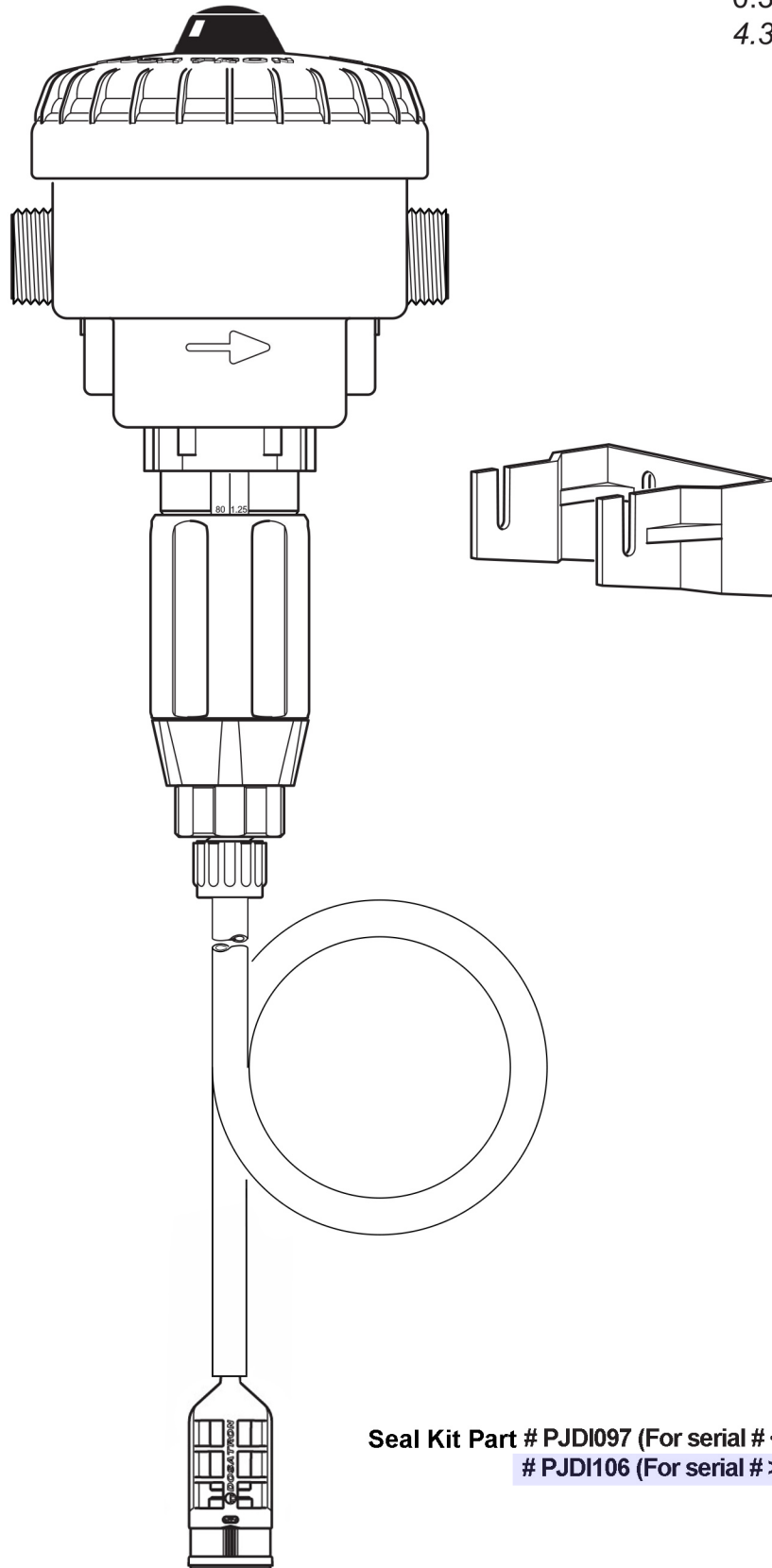


- Click on a part #, to visit item page
- Click arrow back from item page, to return to this document



D07RE125

0.7 m³/h - 0.15 - 1.25%
3 GPM - 1:666 - 1:80
0.3 - 6 bar
4.3 - 85 psi

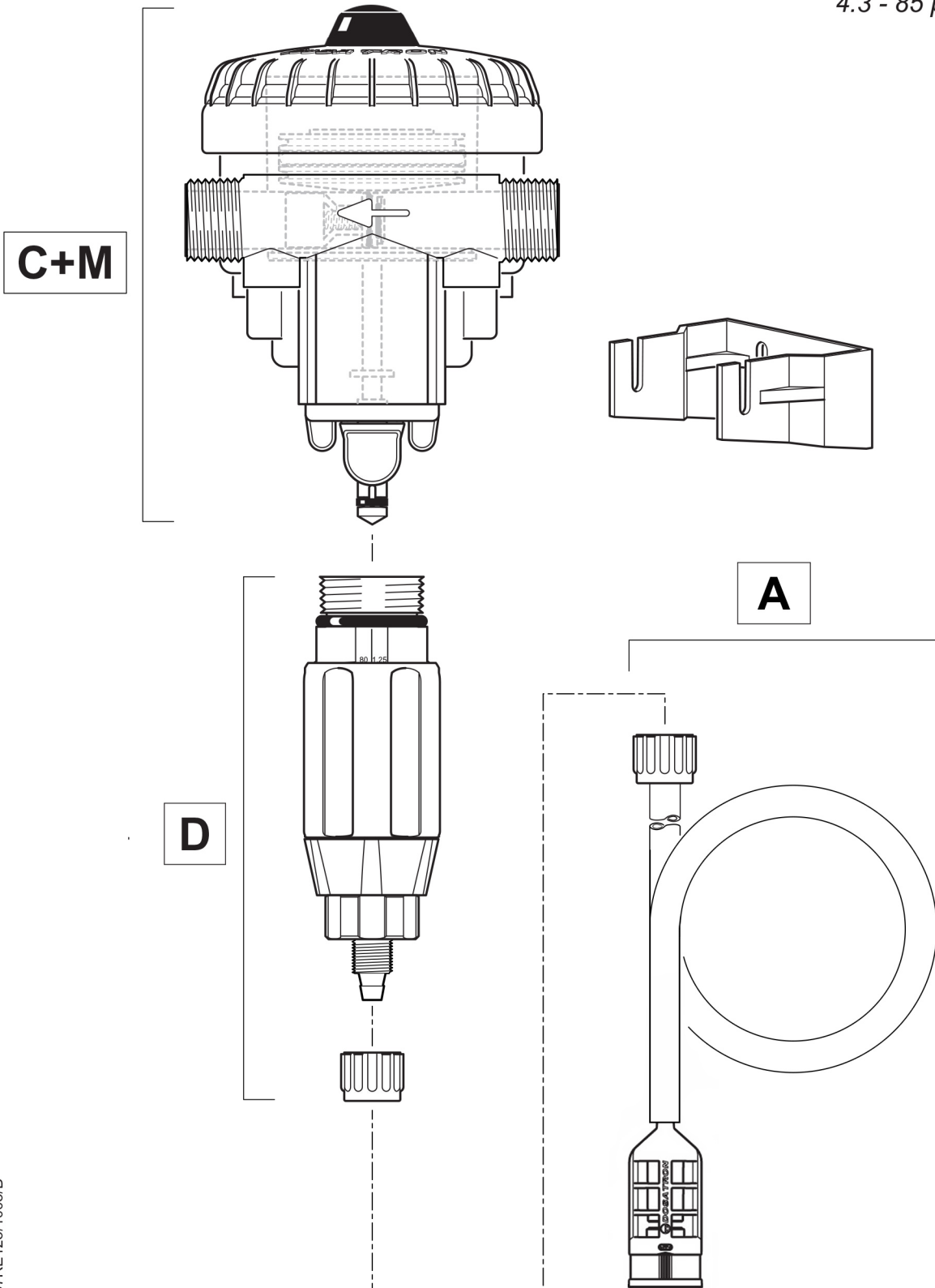


D07RE125/1005/D

Seal Kit Part # PJD1097 (For serial # <05370953)
PJD1106 (For serial # >05370953)

D07RE125

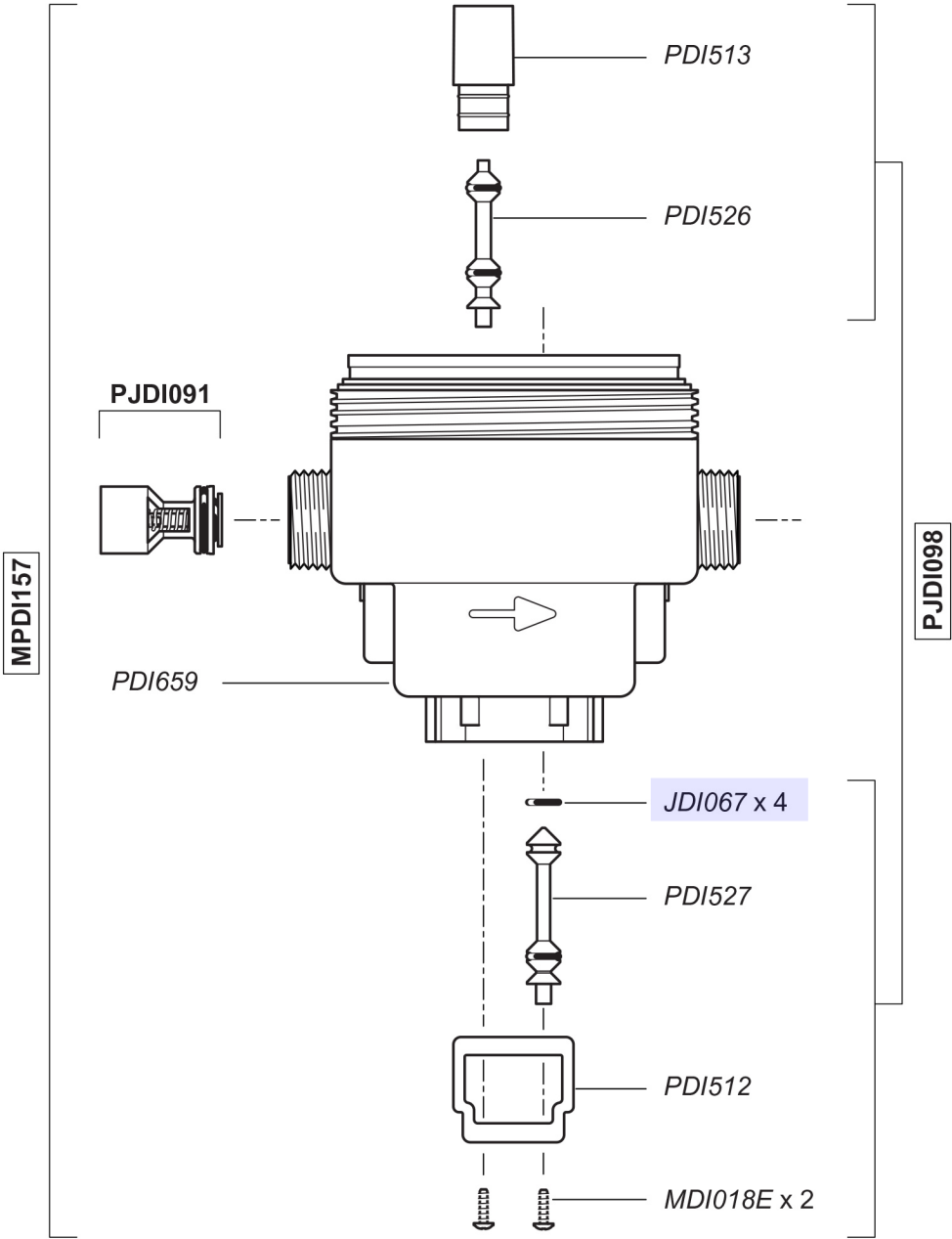
0.7 m³/h - 0.15 - 1.25%
3 GPM - 1:666 - 1:80
0.3 - 6 bar
4.3 - 85 psi



D07RE125/1005/D

D07RE125

0.7 m³/h - 0.15 - 1.25%
3 GPM - 1:666 - 1:80
0.3 - 6 bar
4.3 - 85 psi

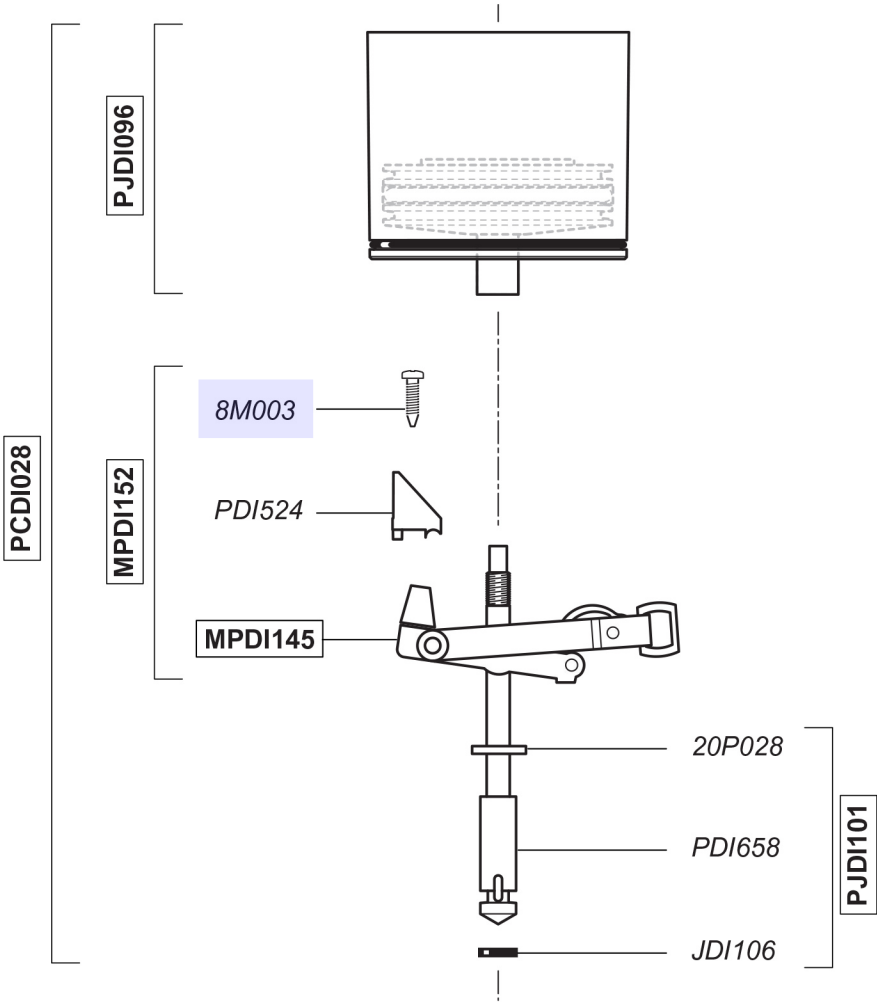


D07RE125/1005/D



D07RE125

0.7 m³/h - 0.15 - 1.25%
3 GPM - 1:666 - 1:80
0.3 - 6 bar
4.3 - 85 psi



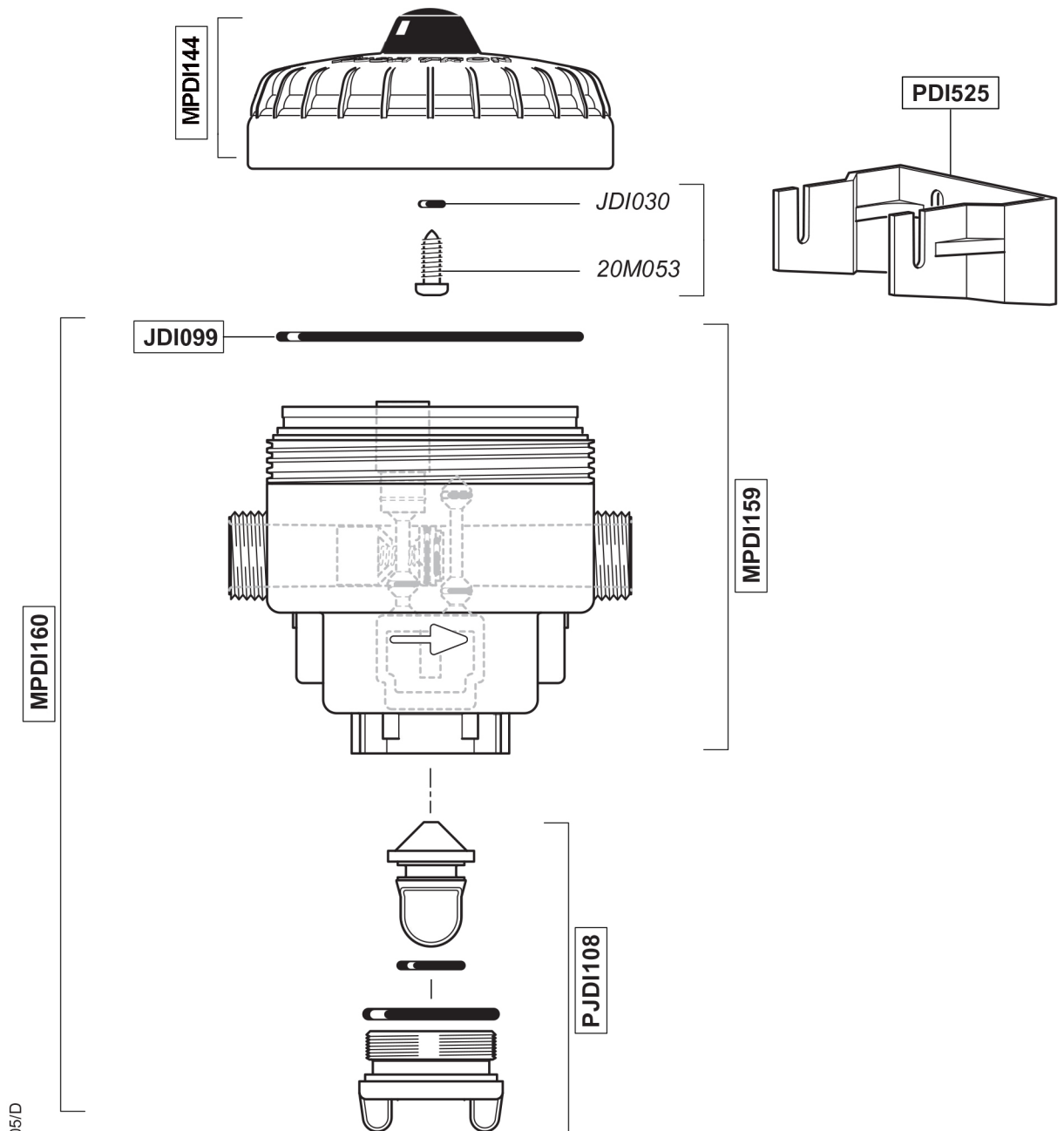
D07RE125/1005/D



D07RE125

N° SERIE
(N° 05370953 ⇨)

0.7 m³/h - 0.15 - 1.25%
3 GPM - 1:666 - 1:80
0.3 - 6 bar
4.3 - 85 psi

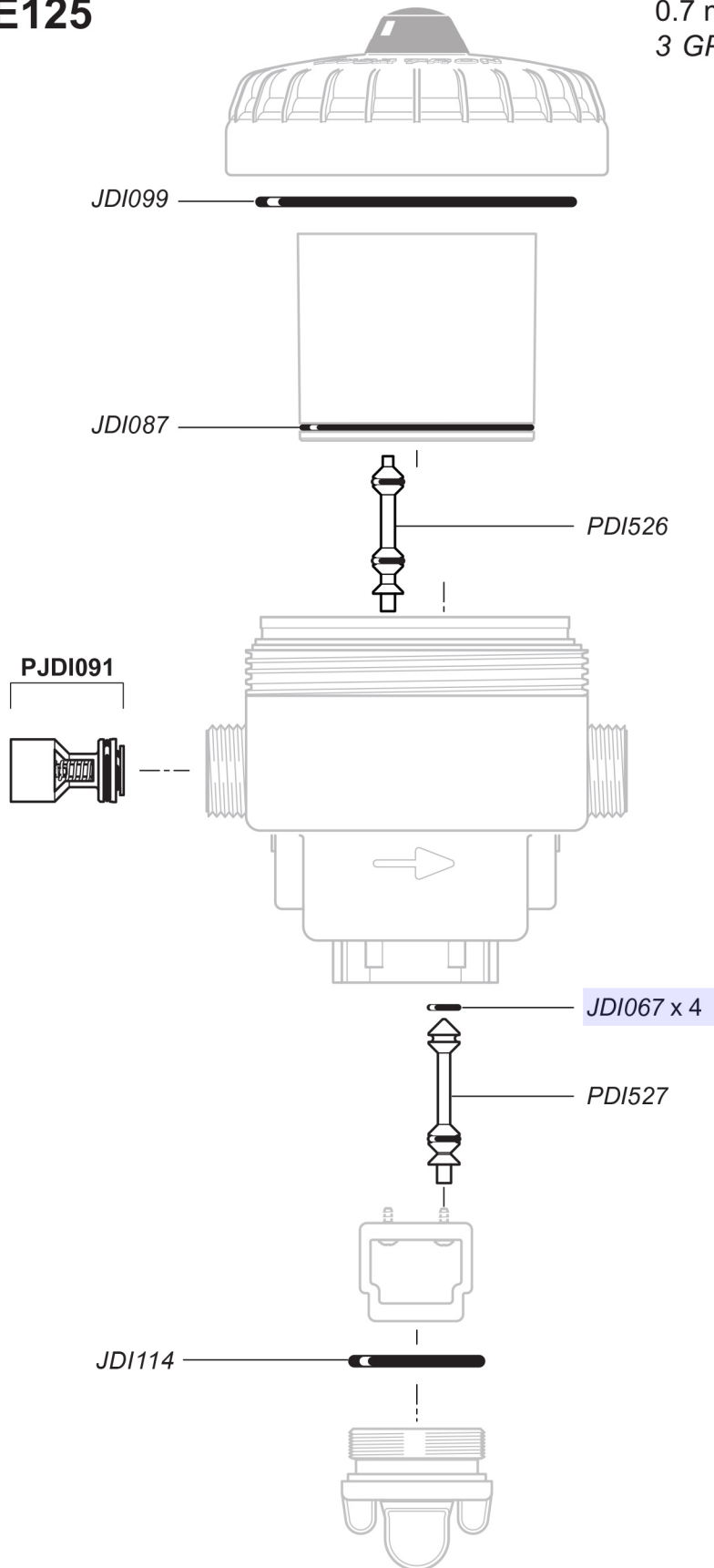


D07RE125/1005/D



D07RE125

0.7 m³/h - 0.15 - 1.25%
3 GPM - 1:666 - 1:80
0.3 - 6 bar
4.3 - 85 psi

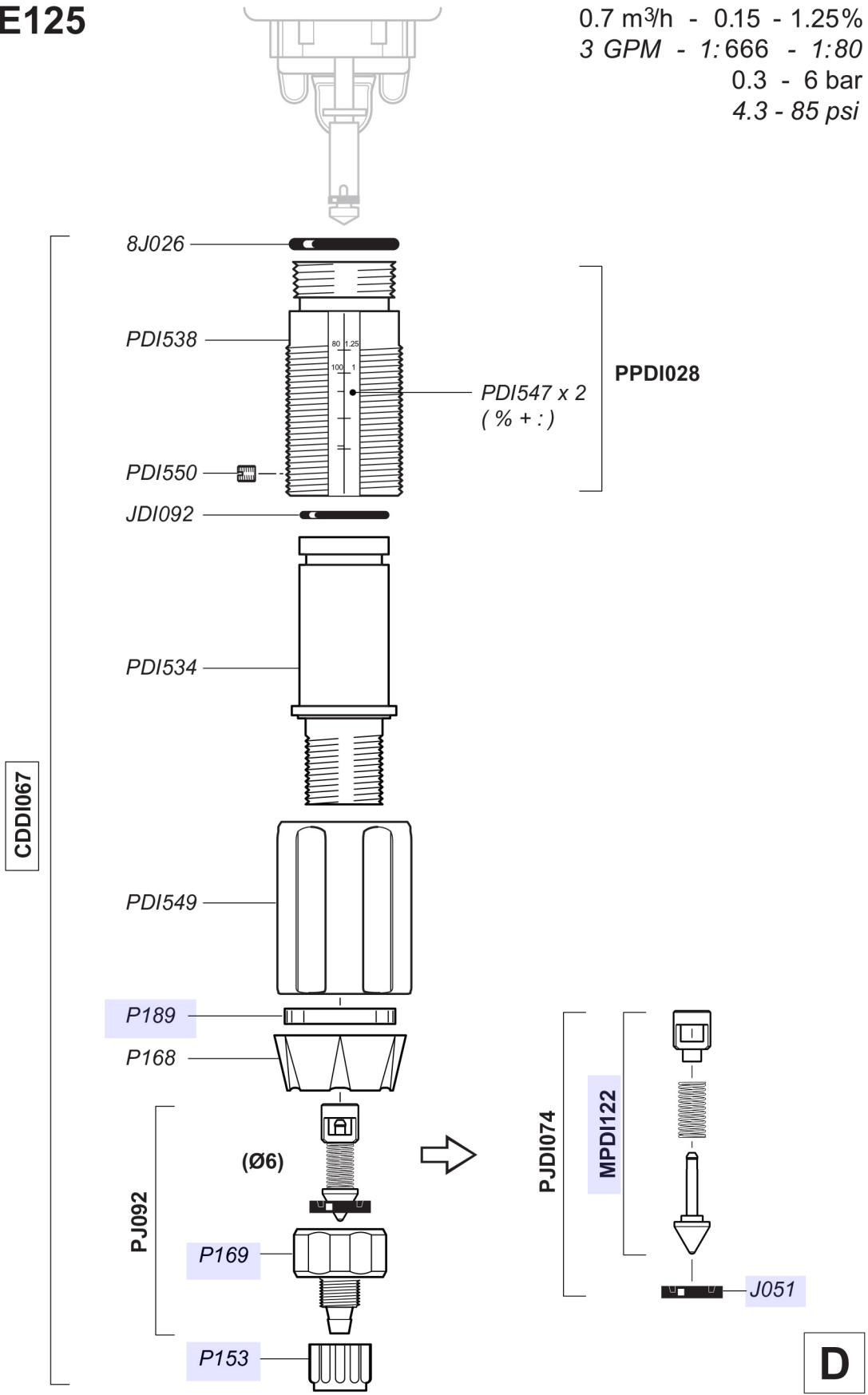


D07RE125/1005/D



D07RE125

0.7 m³/h - 0.15 - 1.25%
 3 GPM - 1:666 - 1:80
 0.3 - 6 bar
 4.3 - 85 psi



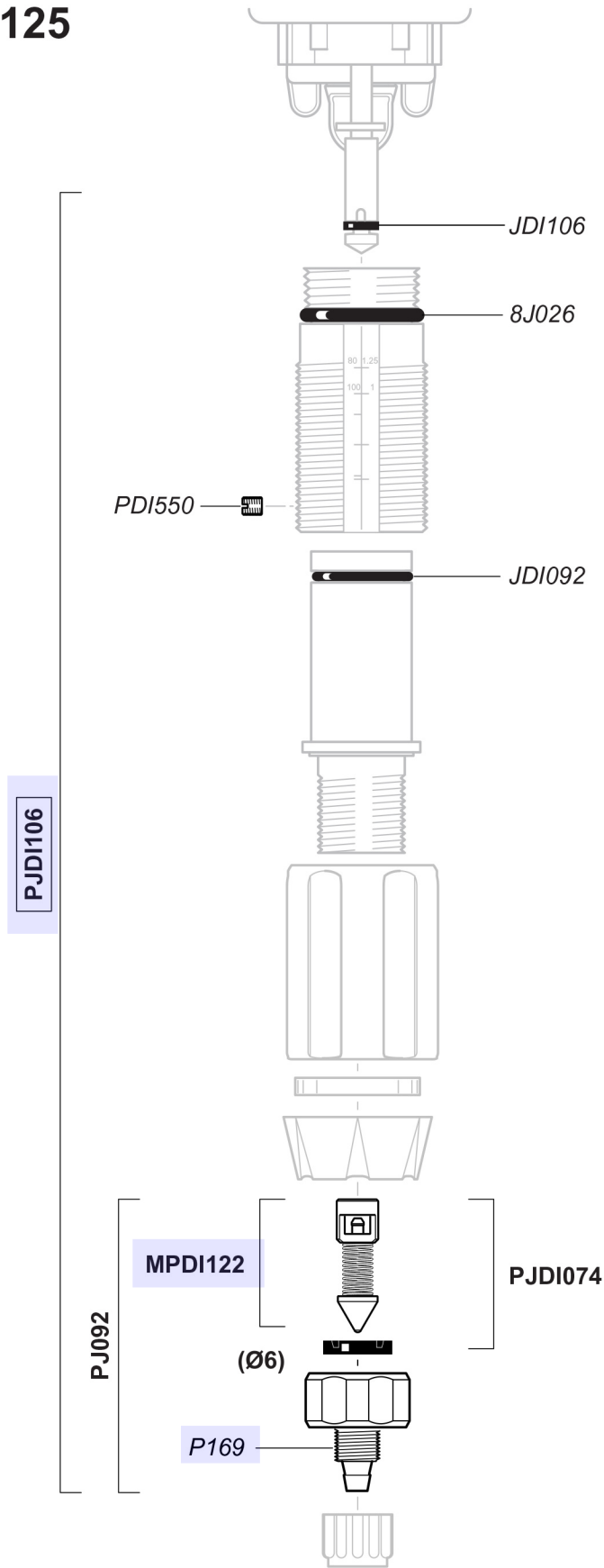
CDDI067

D07RE125/1005/D

D

D07RE125

0.7 m³/h - 0.15 - 1.25%
 3 GPM - 1:666 - 1:80
 0.3 - 6 bar
 4.3 - 85 psi

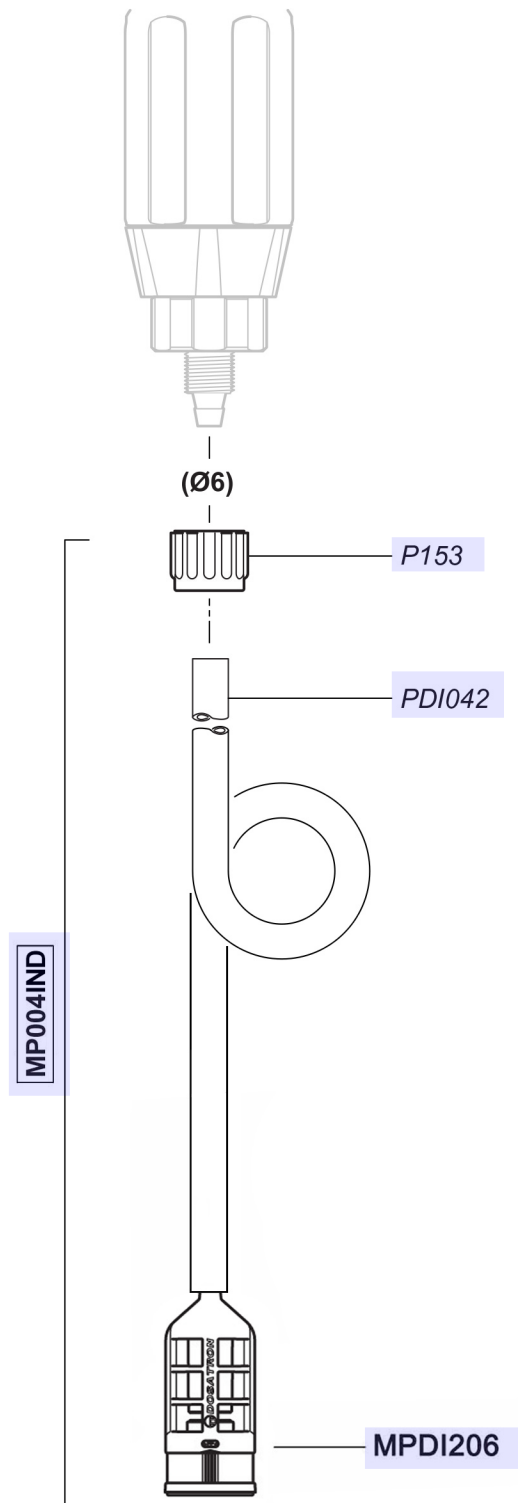


D07RE125/1005/D

D

D07RE125

0.7 m³/h - 0.15 - 1.25%
3 GPM - 1:666 - 1:80
0.3 - 6 bar
4.3 - 85 psi



D07RE125/1005/D

A