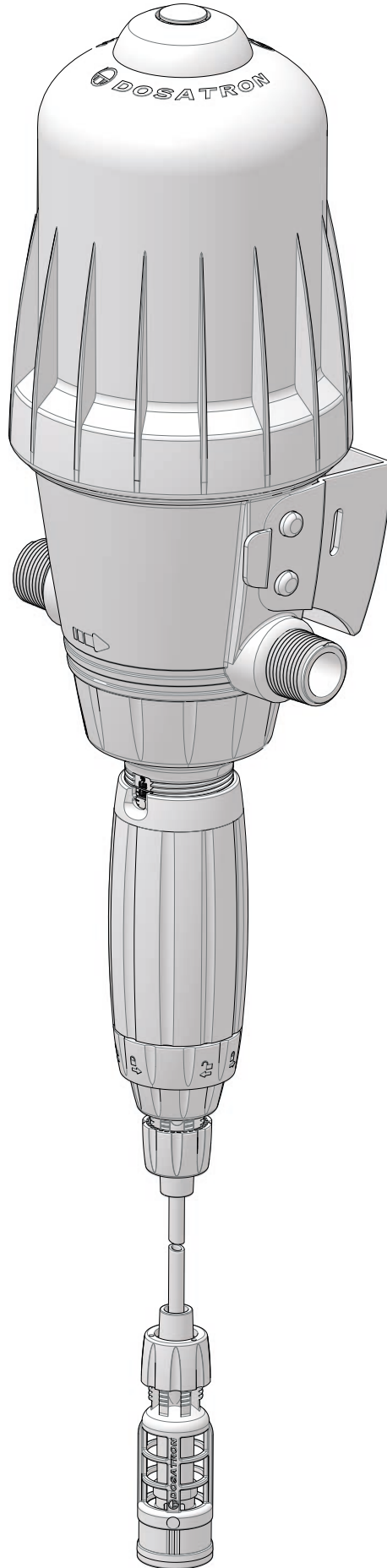


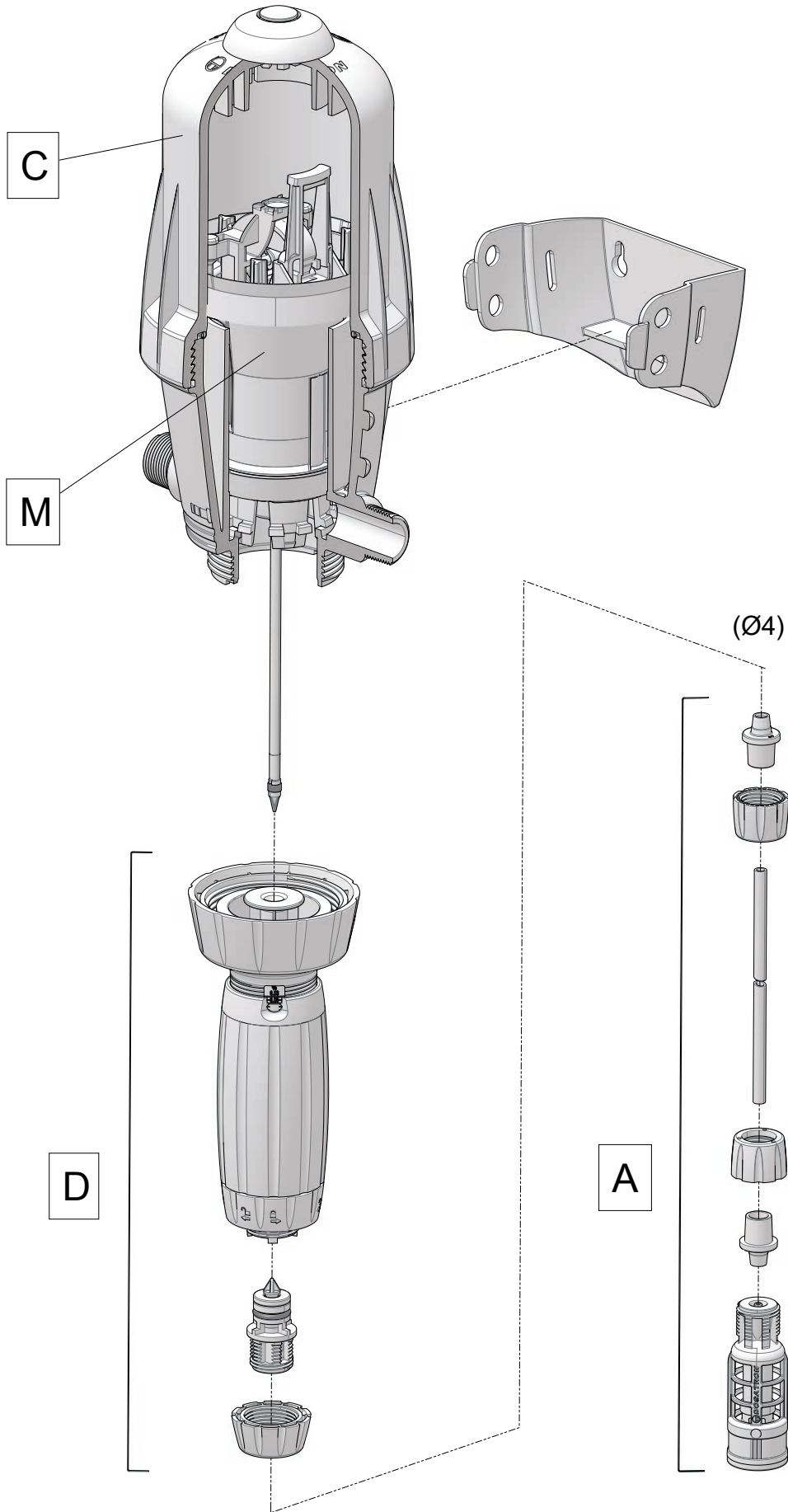
**D3 0.03 - 0.3%**

3m<sup>3</sup>/h - 0.03 - 0.3%  
14 GPM - 1:3000 - 1:333  
0.3 - 6 bar  
4.3 - 85 psi



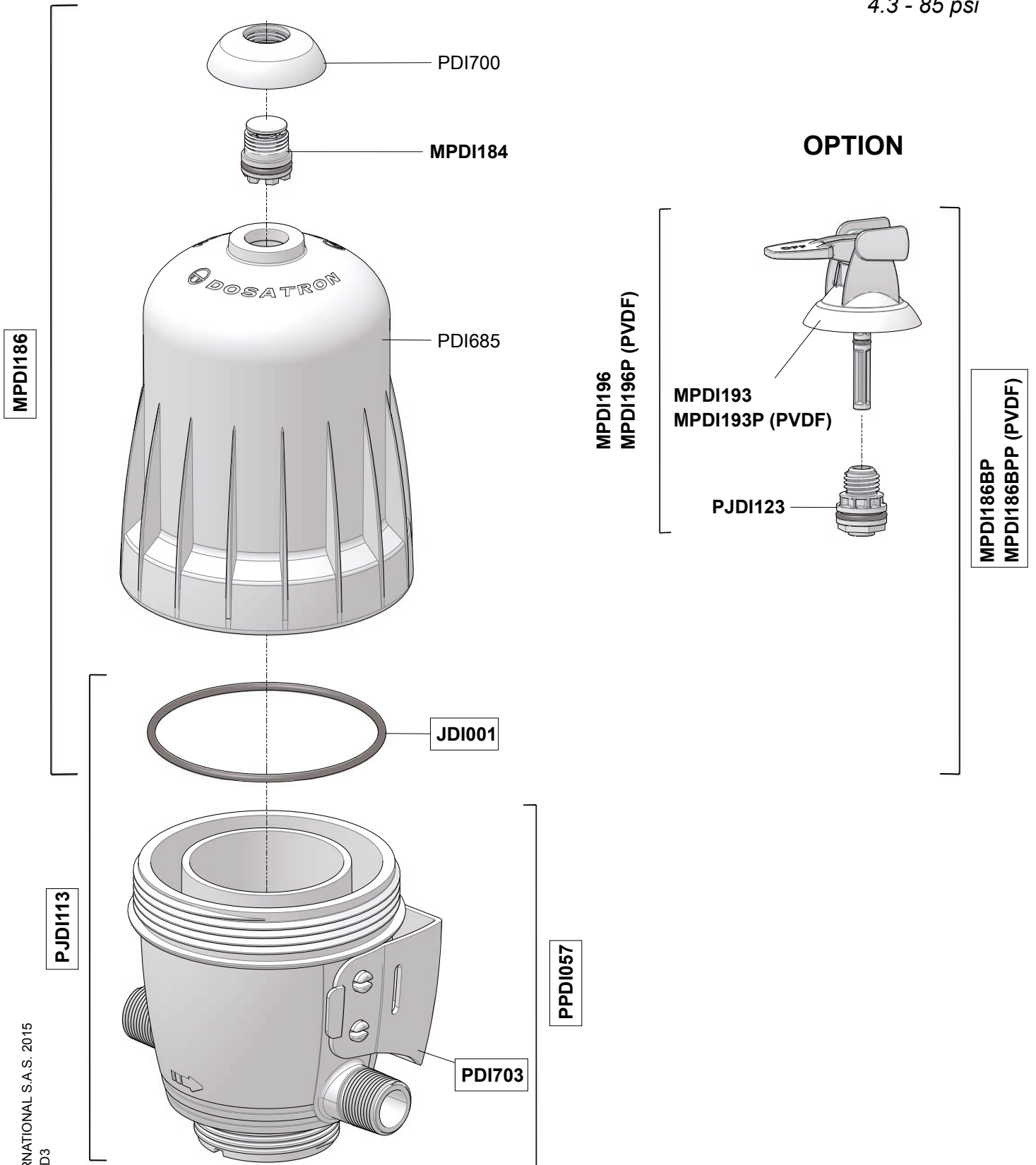
# D3 0.03 - 0.3%

3m<sup>3</sup>/h - 0.03 - 0.3%  
14 GPM - 1:3000 - 1:333  
0.3 - 6 bar  
4.3 - 85 psi



# D3 0.03 - 0.3%

3m<sup>3</sup>/h - 0.03 - 0.3%  
14 GPM - 1:3000 - 1:333  
0.3 - 6 bar  
4.3 - 85 psi



# D3 0.03 - 0.3%

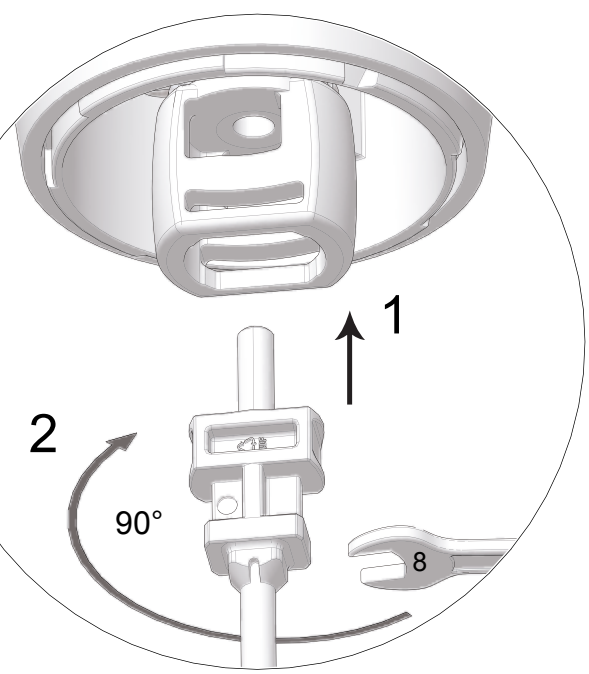
3m<sup>3</sup>/h - 0.03 - 0.3%  
14 GPM - 1:3000 - 1:333  
0.3 - 6 bar  
4.3 - 85 psi

PCDI030

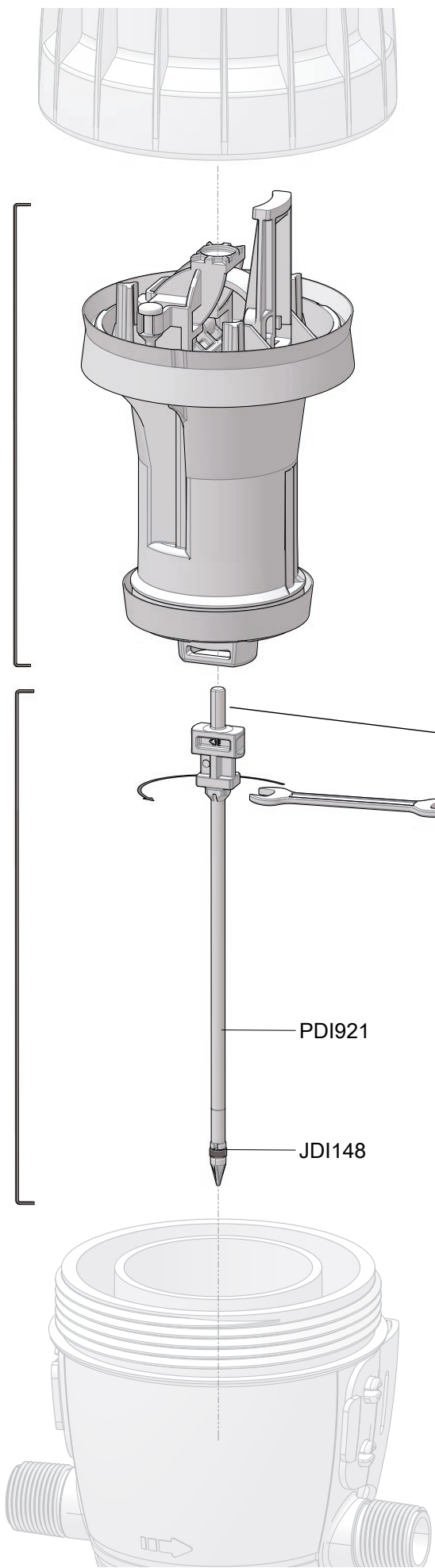
PJDI138

PDI921

JDI148



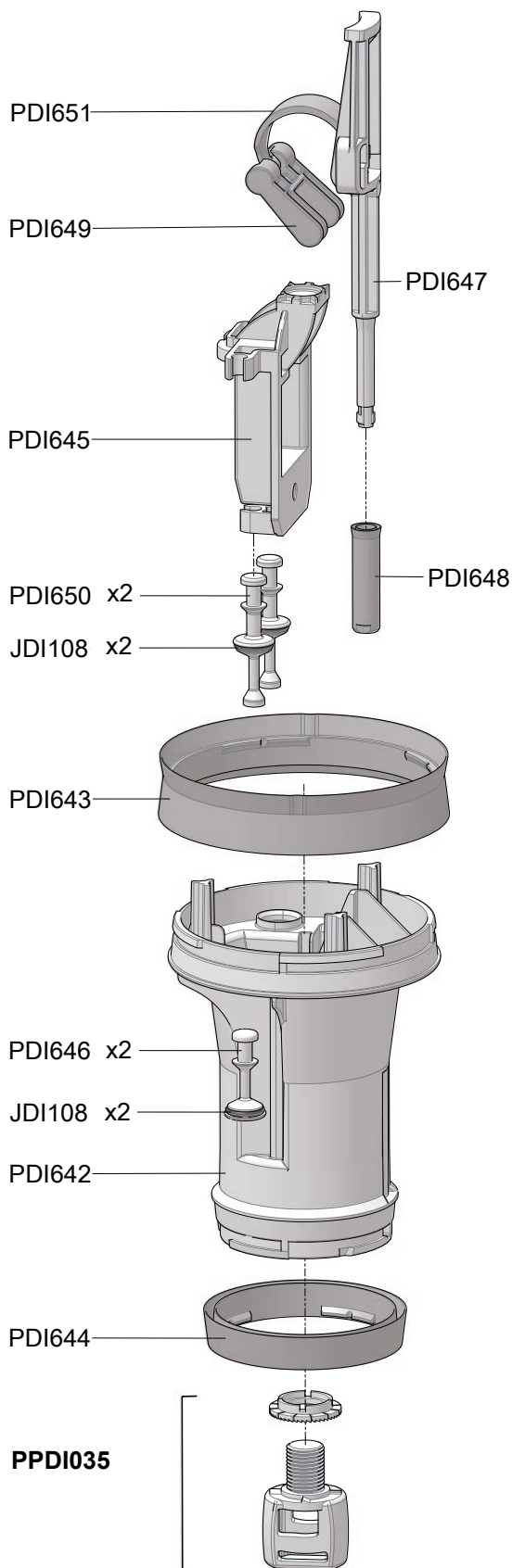
M



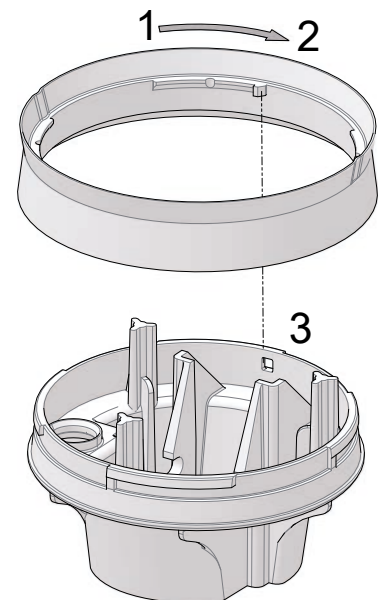
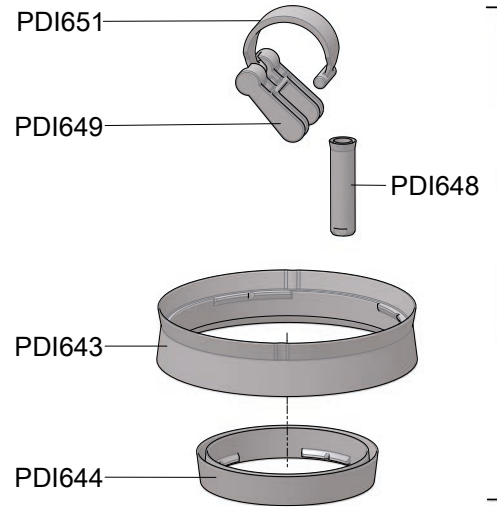
# D3 0.03 - 0.3%

3m<sup>3</sup>/h - 0.03 - 0.3%  
 14 GPM - 1:3000 - 1:333  
 0.3 - 6 bar  
 4.3 - 85 psi

**PCDI030**



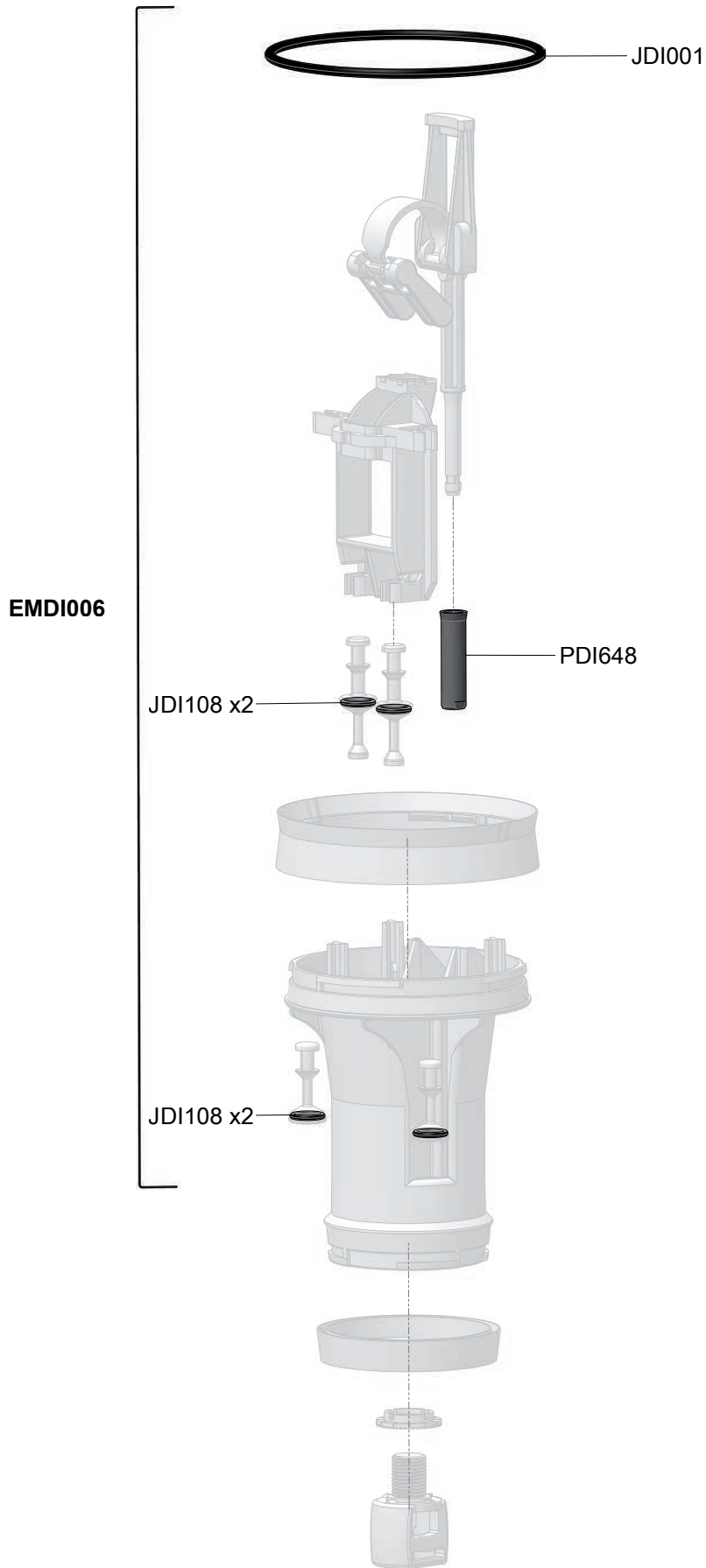
**PPDI034**



**M**

# D3 0.03 - 0.3%

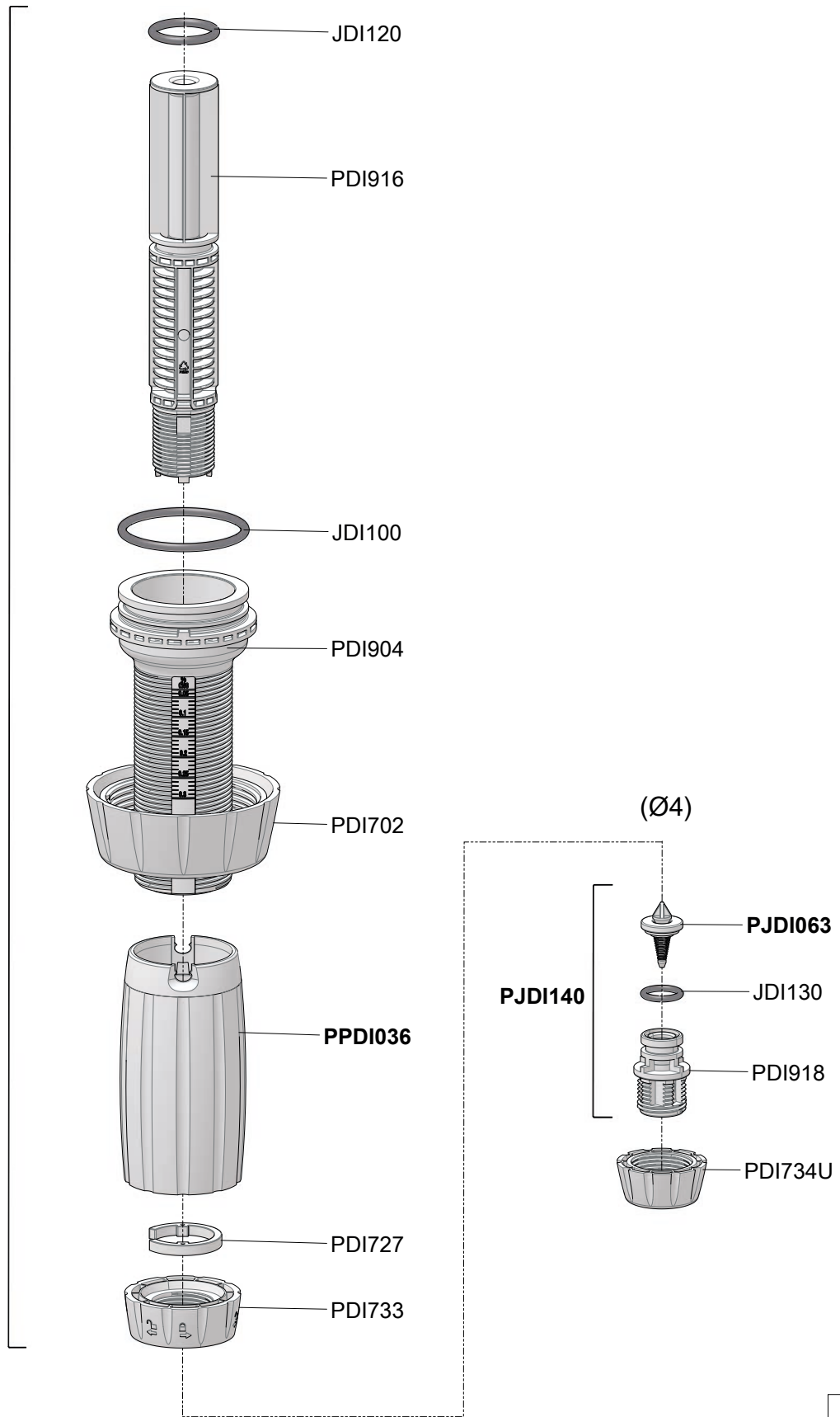
3m<sup>3</sup>/h - 0.03 - 0.3%  
14 GPM - 1:3000 - 1:333  
0.3 - 6 bar  
4.3 - 85 psi



# D3 0.03 - 0.3%

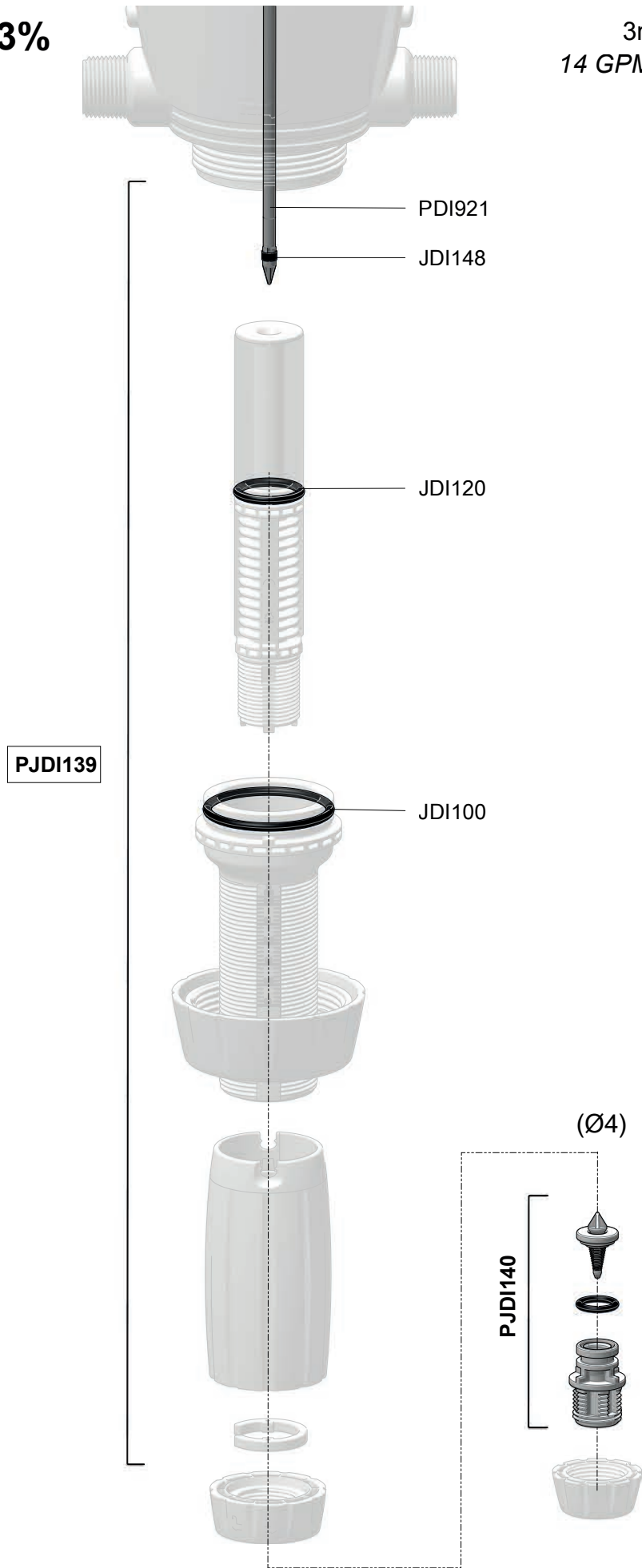
3m<sup>3</sup>/h - 0.03 - 0.3%  
14 GPM - 1:3000 - 1:333  
0.3 - 6 bar  
4.3 - 85 psi

**CDDI079**



# D3 0.03 - 0.3%

3m<sup>3</sup>/h - 0.03 - 0.3%  
14 GPM - 1:3000 - 1:333  
0.3 - 6 bar  
4.3 - 85 psi





# D3 0.03 - 0.3%

3m<sup>3</sup>/h - 0.03 - 0.3%  
14 GPM - 1:3000 - 1:333  
0.3 - 6 bar  
4.3 - 85 psi

