

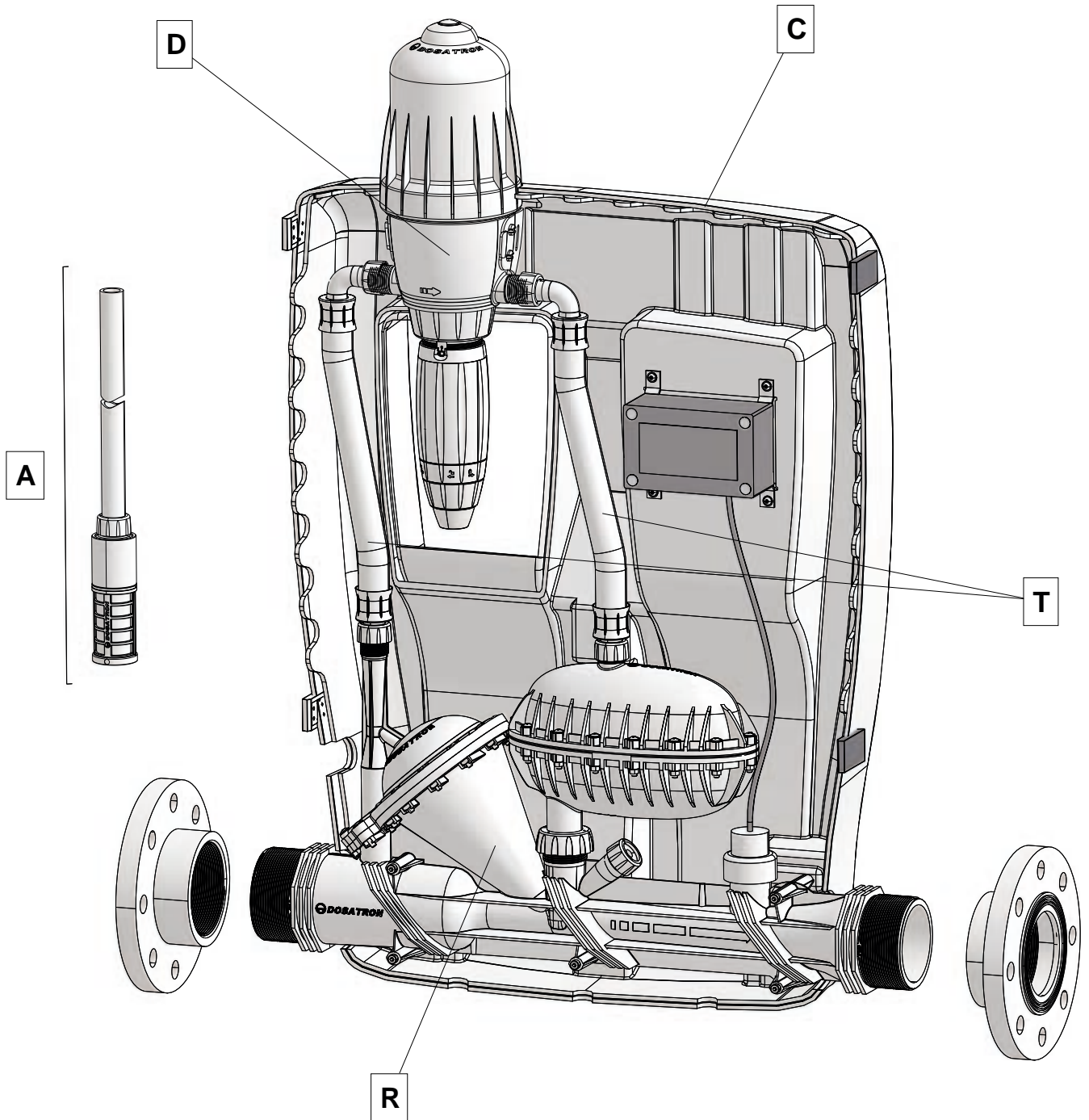
# D30 0.1 - 1% EC

30m<sup>3</sup>/h - 0.1 - 1%  
132 GPM - 1:1000 - 1:100  
0.5 - 8 bar  
7.25 - 116 psi



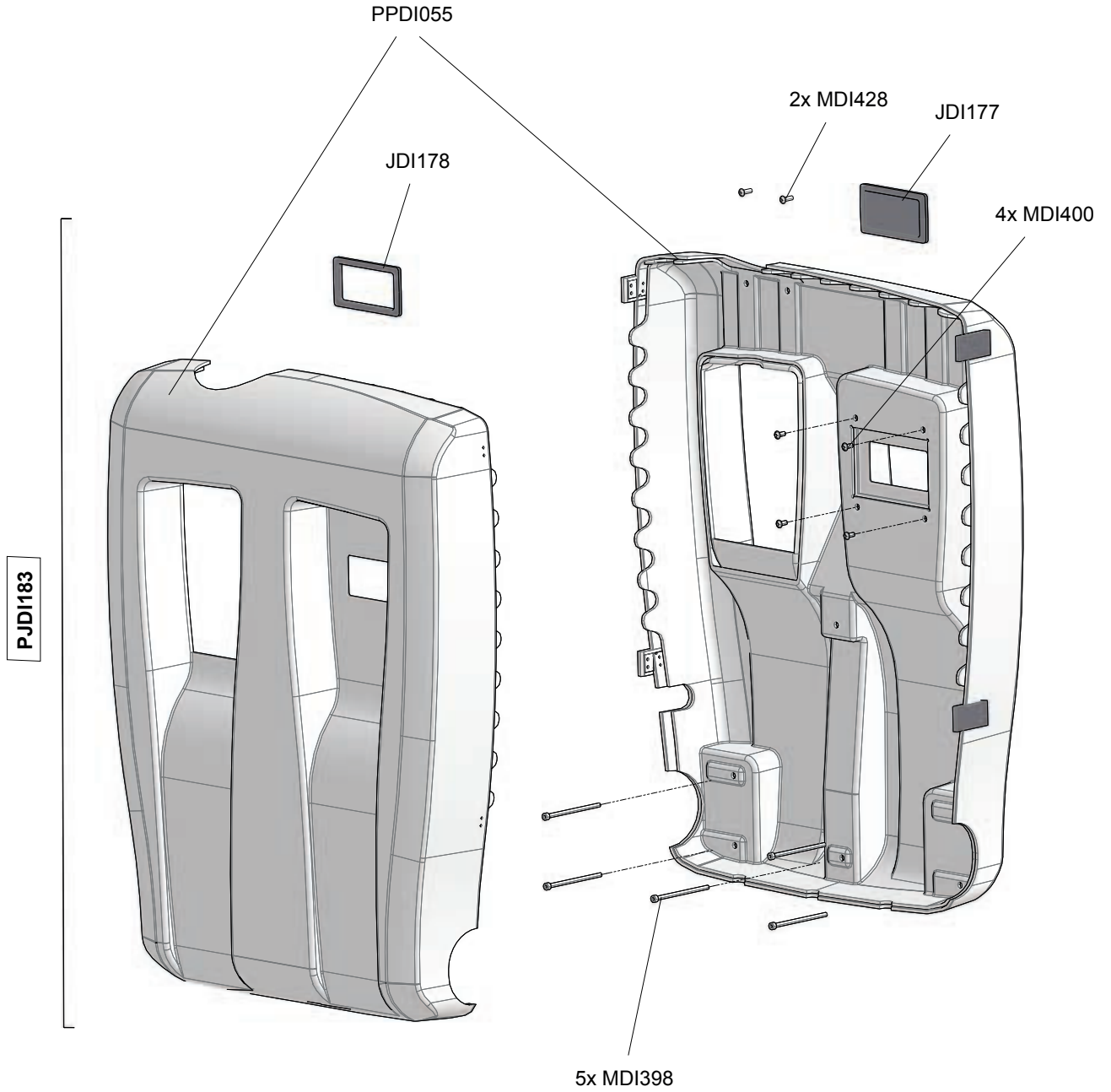
# D30 0.1 - 1% EC

30m<sup>3</sup>/h - 0.1 - 1%  
132 GPM - 1:1000 - 1:100  
0.5 - 8 bar  
7.25 - 116 psi



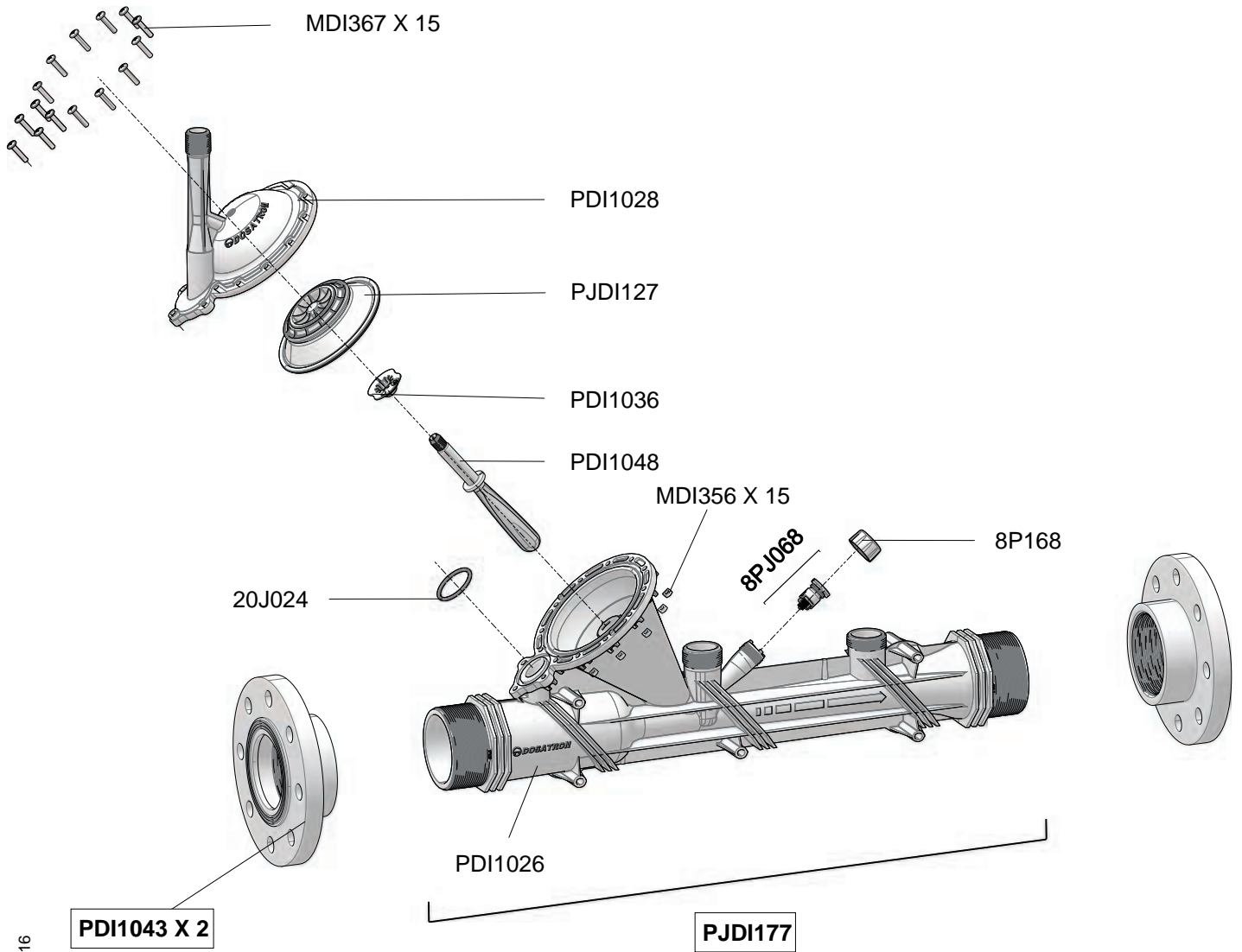
# D30 0.1 - 1% EC

30m<sup>3</sup>/h - 0.1 - 1%  
132 GPM - 1:1000 - 1:100  
0.5 - 8 bar  
7.25 - 116 psi



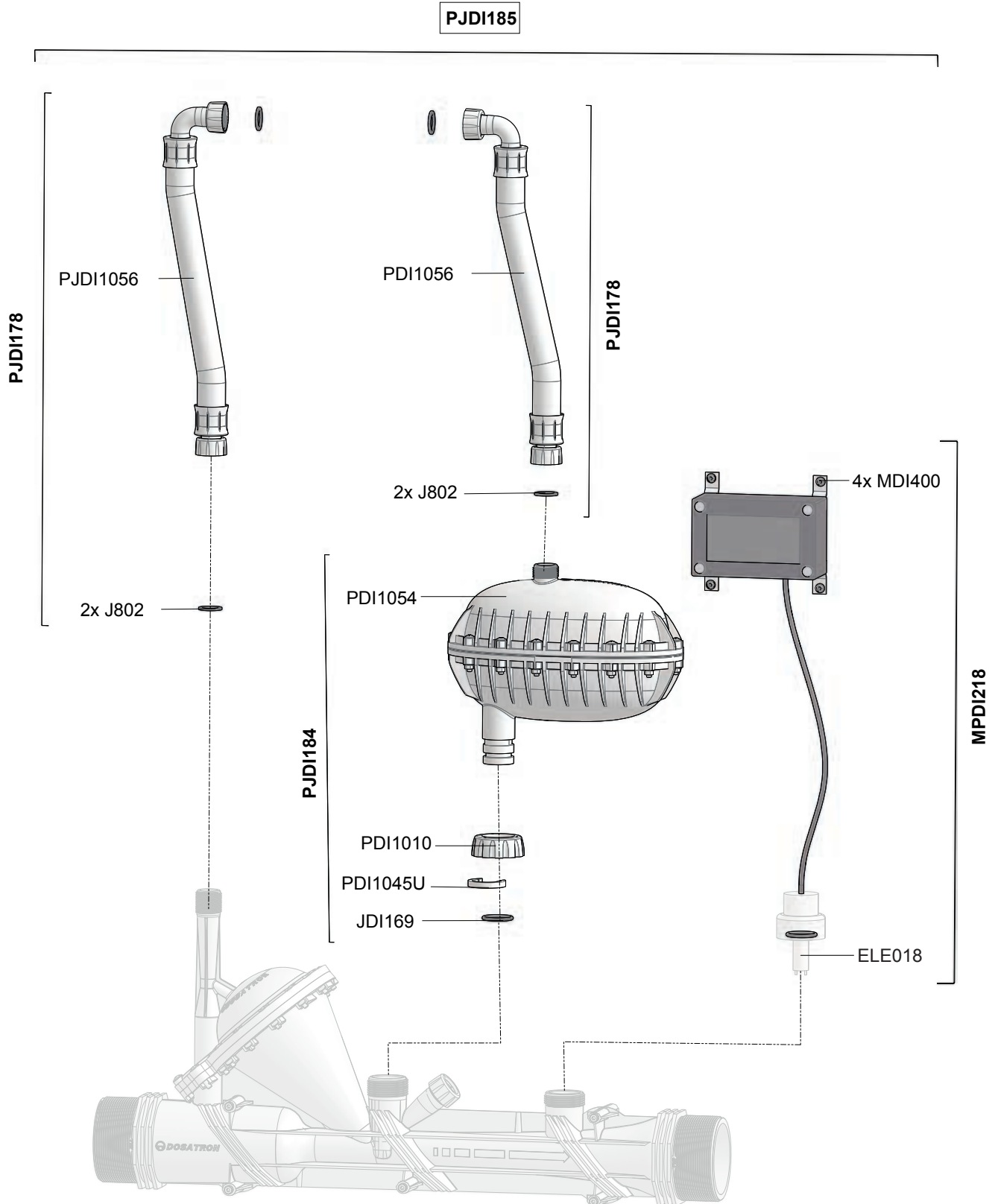
# D30 0.1 - 1% EC

30m<sup>3</sup>/h - 0.1 - 1%  
132 GPM - 1:1000 - 1:100  
0.5 - 8 bar  
7.25 - 116 psi



# D30 0.1 - 1% EC

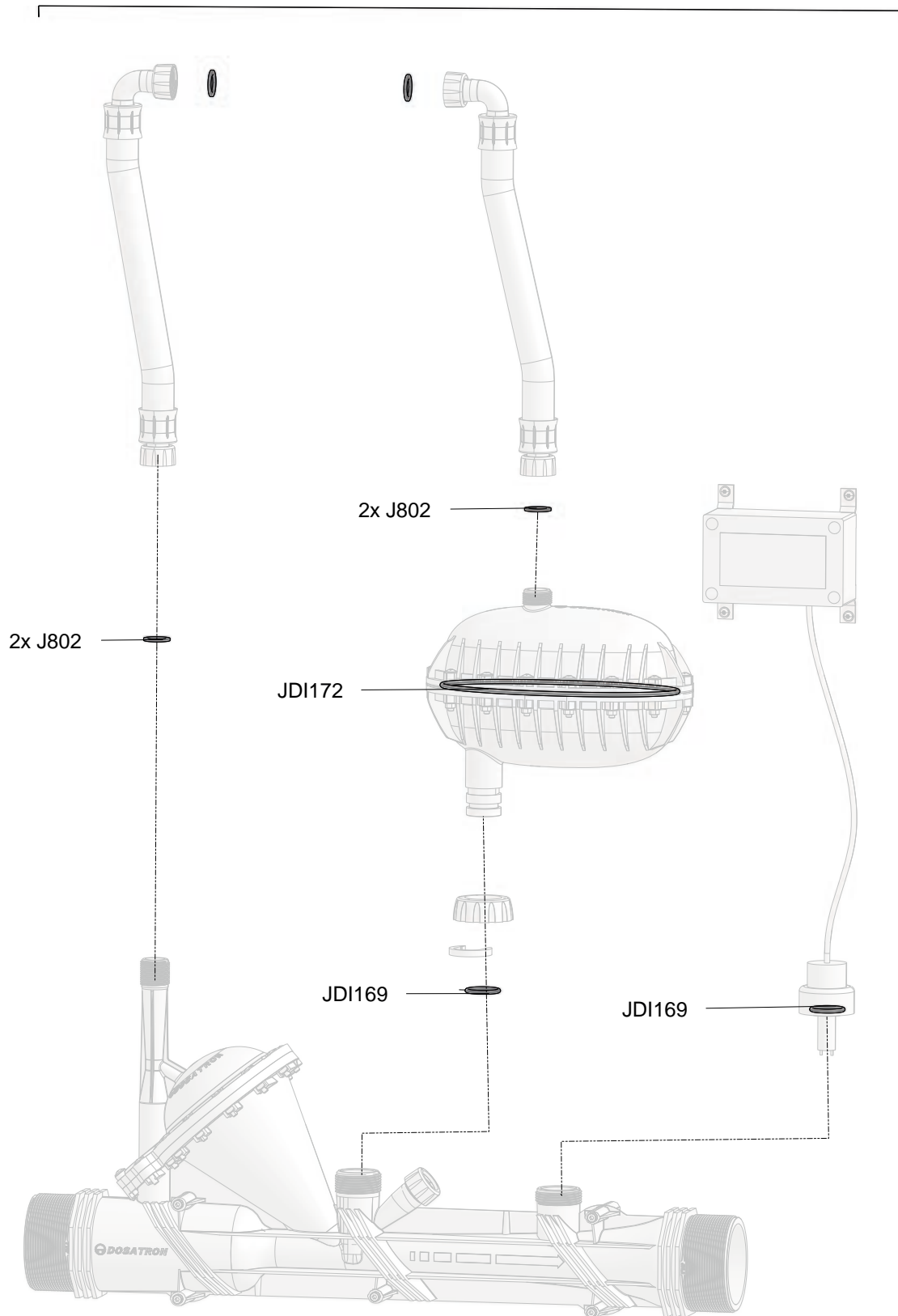
30m<sup>3</sup>/h - 0.1 - 1%  
132 GPM - 1:1000 - 1:100  
0.5 - 8 bar  
7.25 - 116 psi



# D30 0.1 - 1% EC

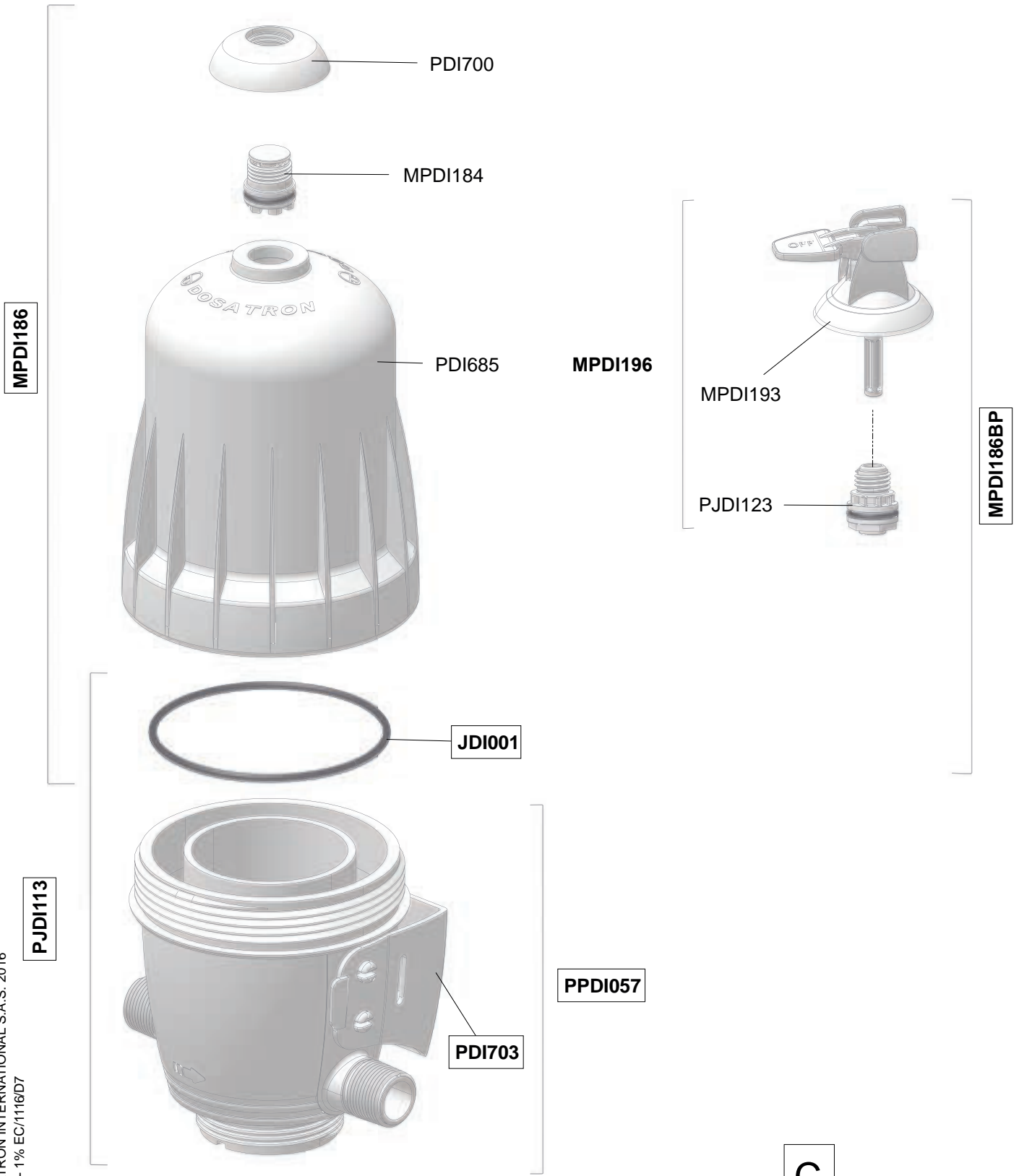
30m<sup>3</sup>/h - 0.1 - 1%  
132 GPM - 1:1000 - 1:100  
0.5 - 8 bar  
7.25 - 116 psi

EMDI010



# D30 0.1 - 1% EC

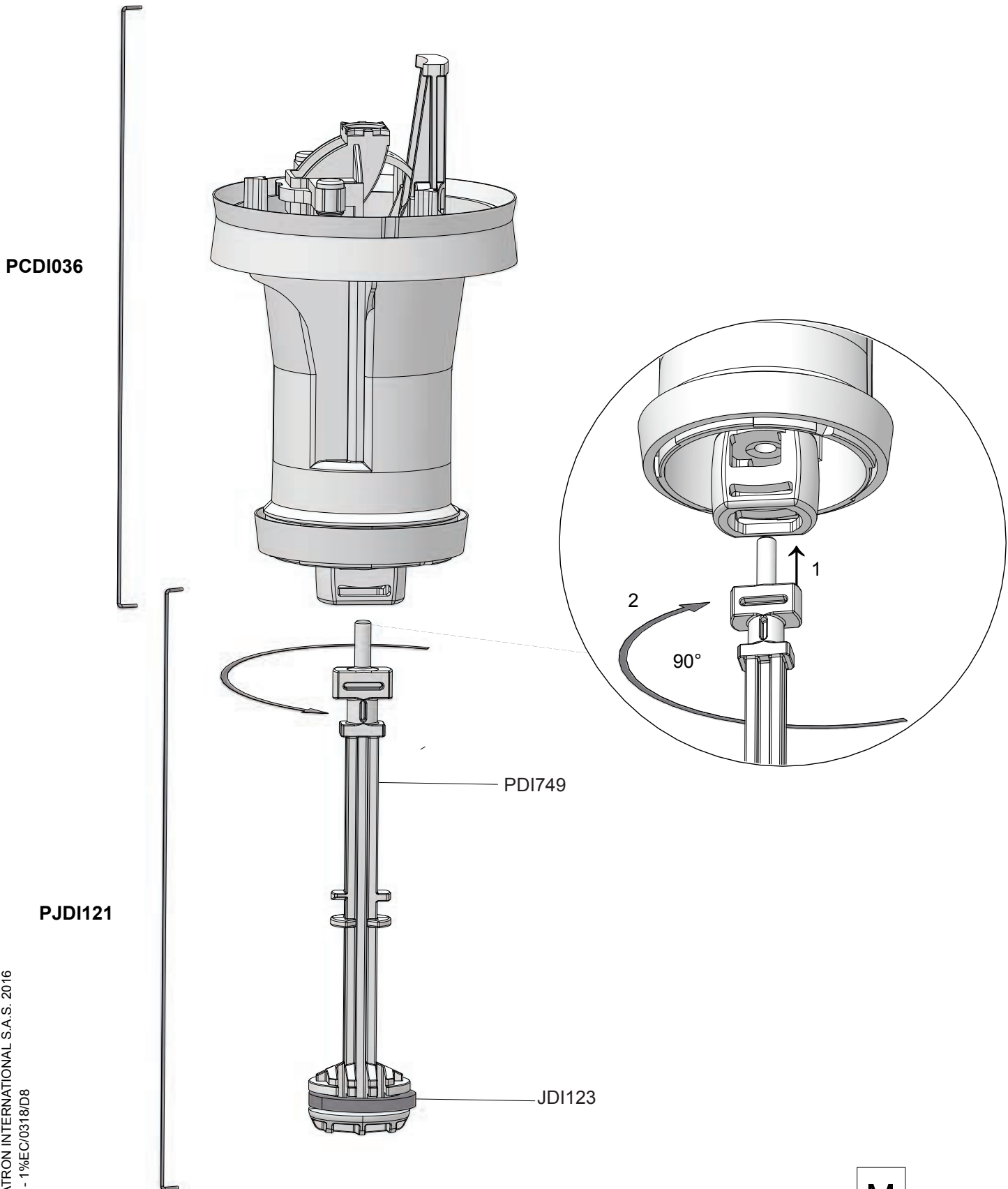
30m<sup>3</sup>/h - 0.1 - 1%  
132 GPM - 1:1000 - 1:100  
0.5 - 8 bar  
7.25 - 116 psi



C

# D30 0.1 - 1% EC

30m<sup>3</sup>/h - 0.1 - 1%  
132 GPM - 1:1000 - 1:100  
0.5 - 8 bar  
7.25 - 116 psi

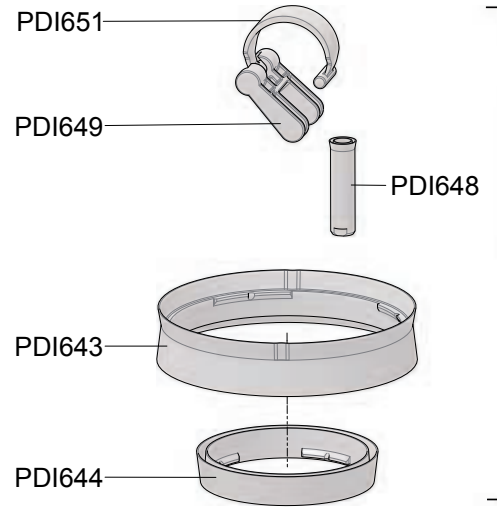
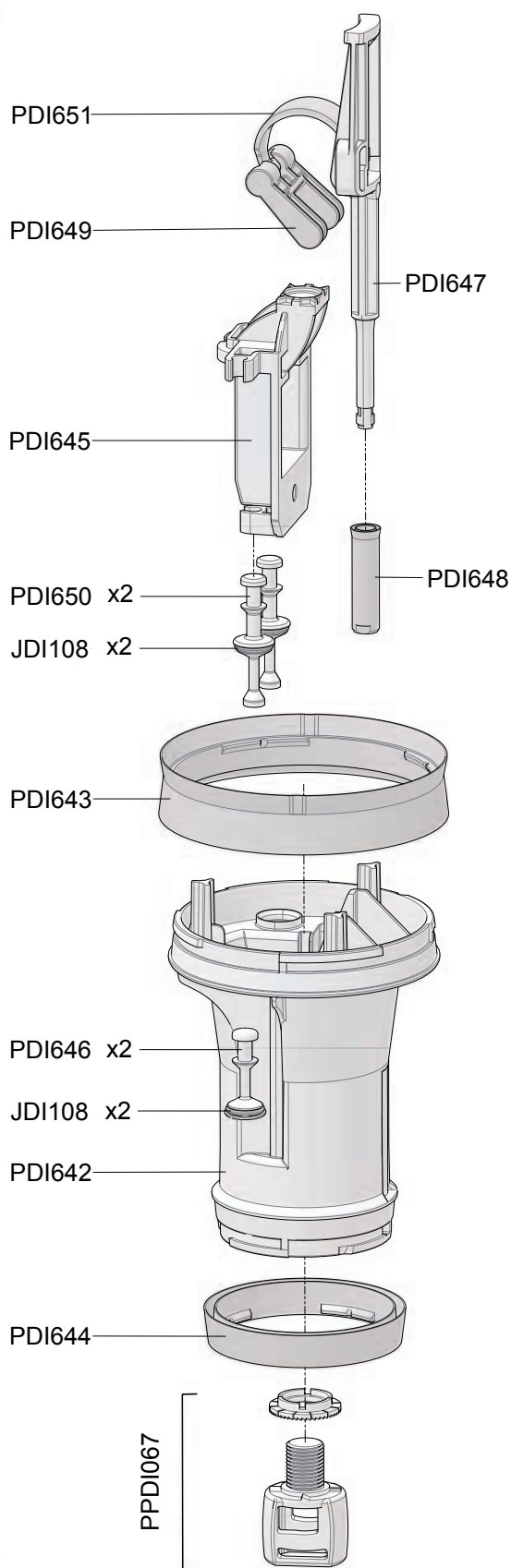




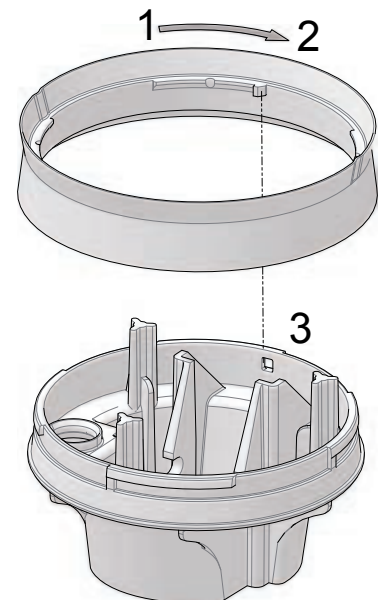
# D30 0.1 - 1% EC

30m<sup>3</sup>/h - 0.1 - 1%  
 132 GPM - 1:1000 - 1:100  
 0.5 - 8 bar  
 7.25 - 116 psi

PCDI036

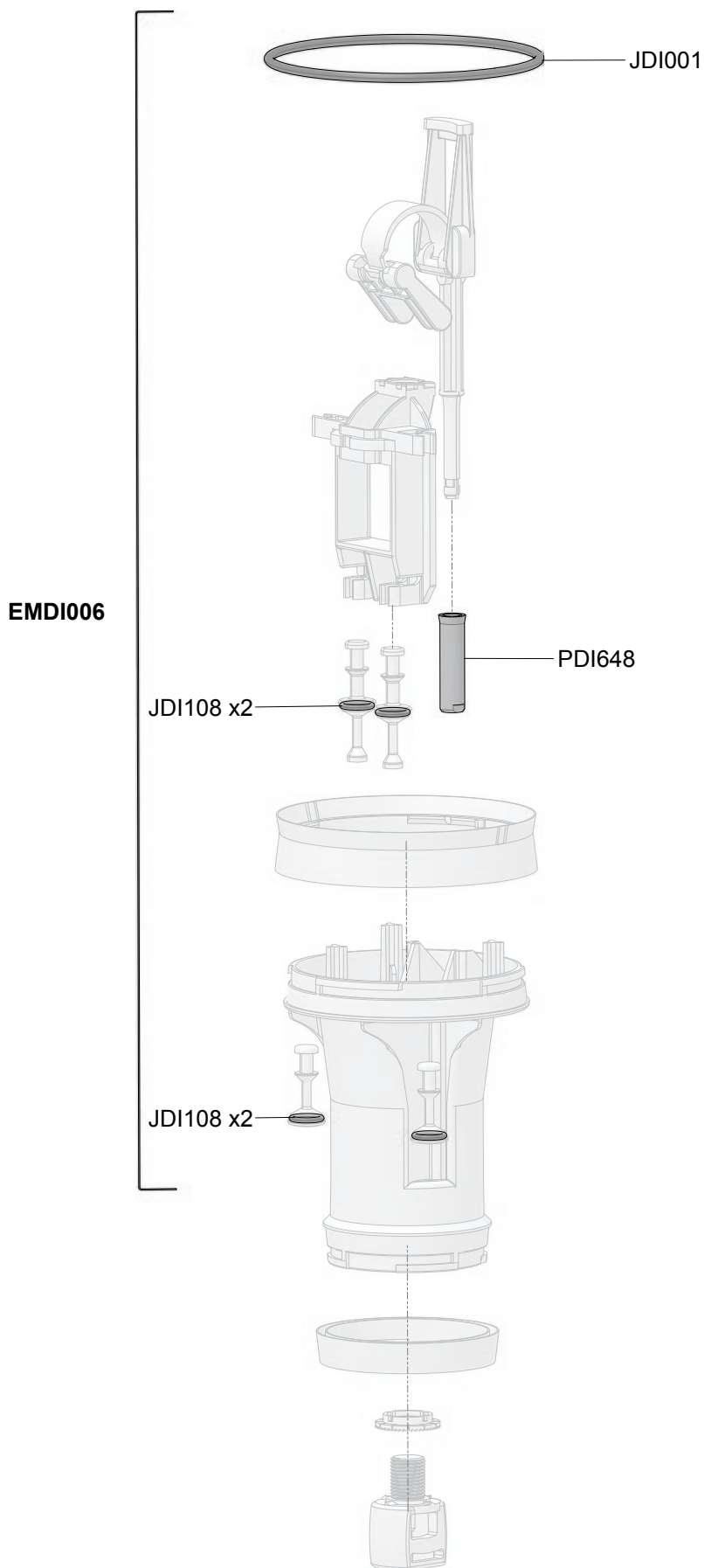


PCDI034



# D30 0.1 - 1% EC

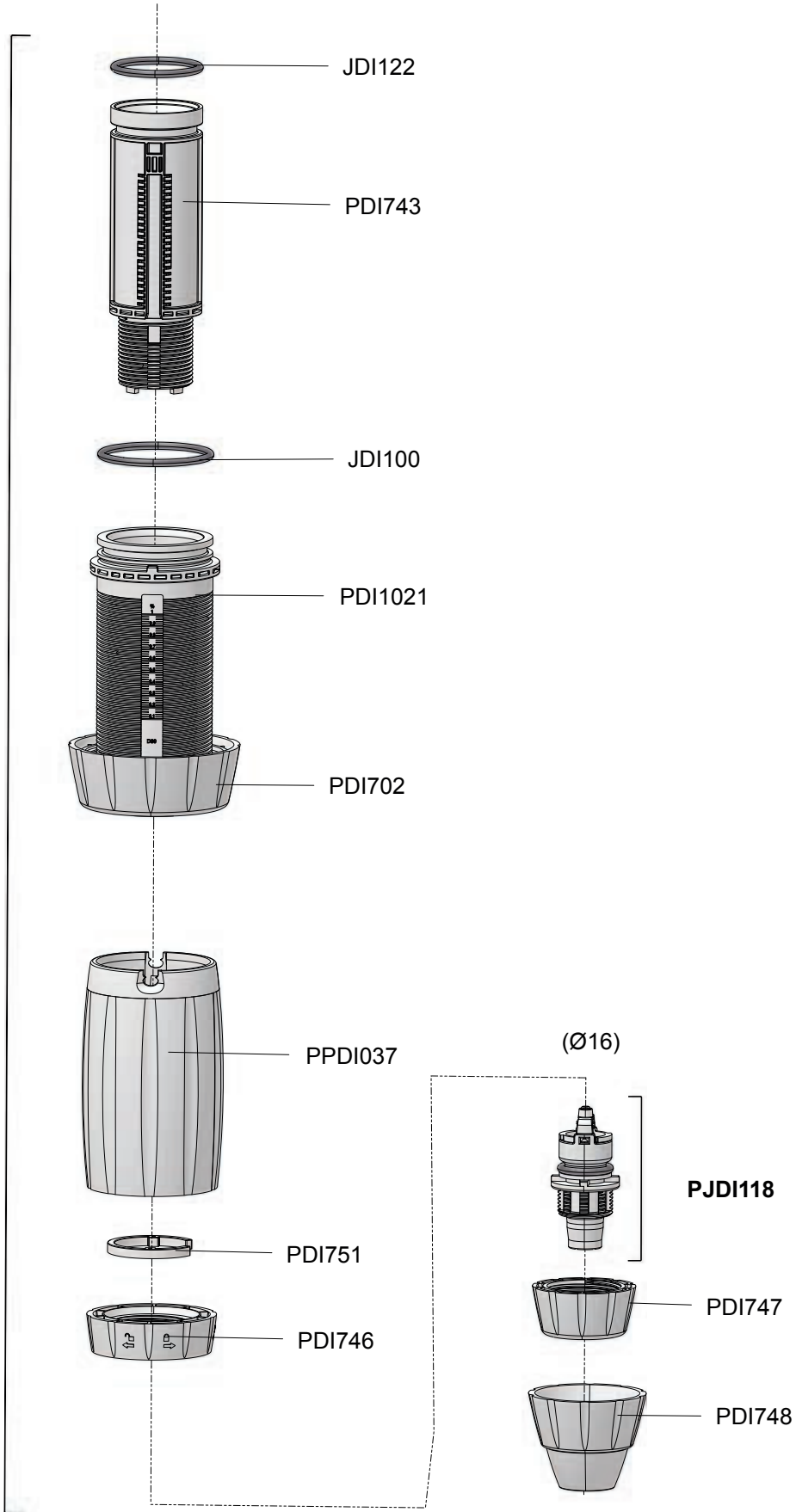
30m<sup>3</sup>/h - 0.1 - 1%  
132 GPM - 1:1000 - 1:100  
0.5 - 8 bar  
7.25 - 116 psi



# D30 0.1 - 1% EC

30m<sup>3</sup>/h - 0.1 - 1%  
132 GPM - 1:1000 - 1:100  
0.5 - 8 bar  
7.25 - 116 psi

**CDDI087**

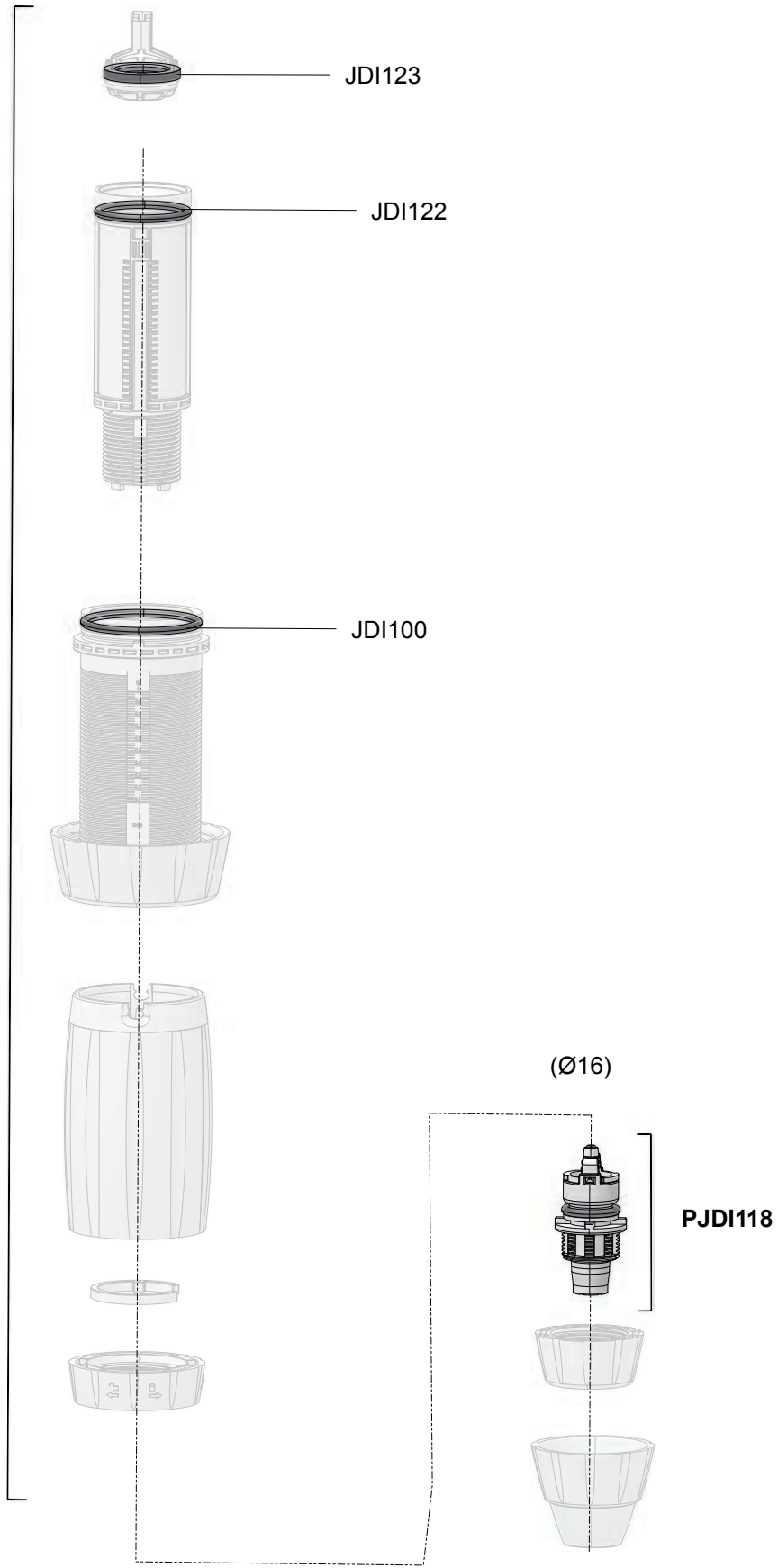


**D**

# D30 0.1 - 1% EC

30m<sup>3</sup>/h - 0.1 - 1%  
132 GPM - 1:1000 - 1:100  
0.5 - 8 bar  
7.25 - 116 psi

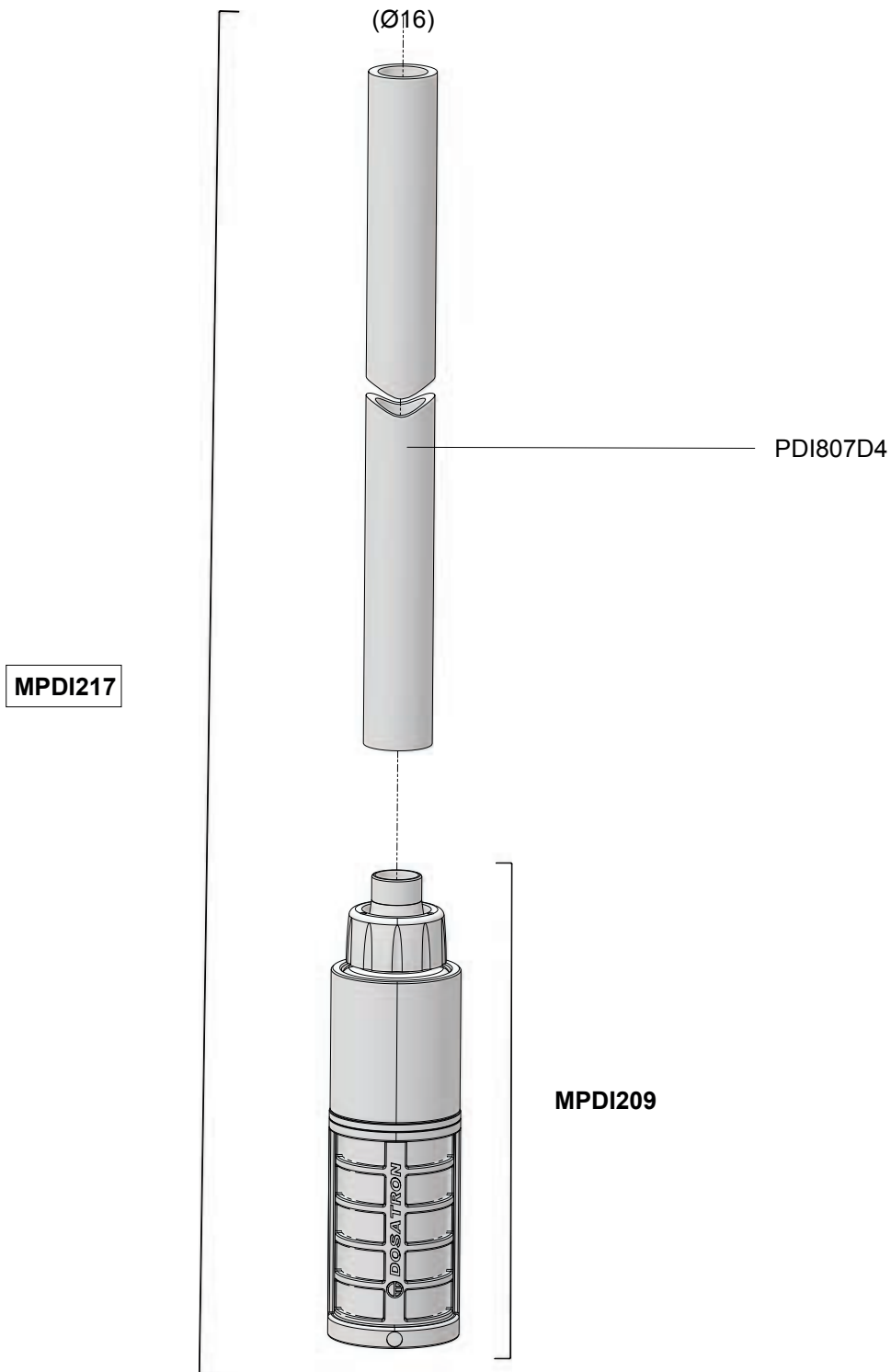
**PJDI122**



**D**

# D30 0.1 - 1% EC

30m<sup>3</sup>/h - 0.1 - 1%  
132 GPM - 1:1000 - 1:100  
0.5 - 8 bar  
7.25 - 116 psi



A