



# DOSATRON®

WATER POWERED DOSING TECHNOLOGY



## D40WL3000NAF - 40 GPM INTERACTIVE SCHEMATICS

### UNIT SPECIFICATIONS

- 1:3000 - 1:800
- 2.2 - 116 PSI
- 1 1/2" NPT Connection

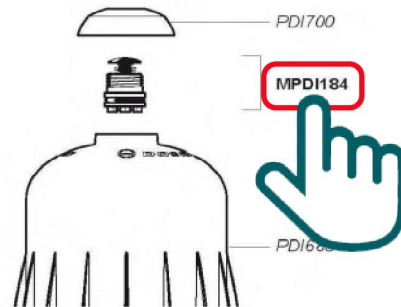
### SUGGESTED INSTALLATION

- 200 mesh/80 micron water filter prior to the unit
- One-way check valve down-stream from the unit for water hammer protection

### SUGGESTED MAINTENANCE

- Injection Seal Kit  
Part #: **8PJ075NAF**  
For yearly maintenance

### DOCUMENT INSTRUCTIONS



- Click on a part #, to visit item page
- Click arrow back from item page, to return to this document

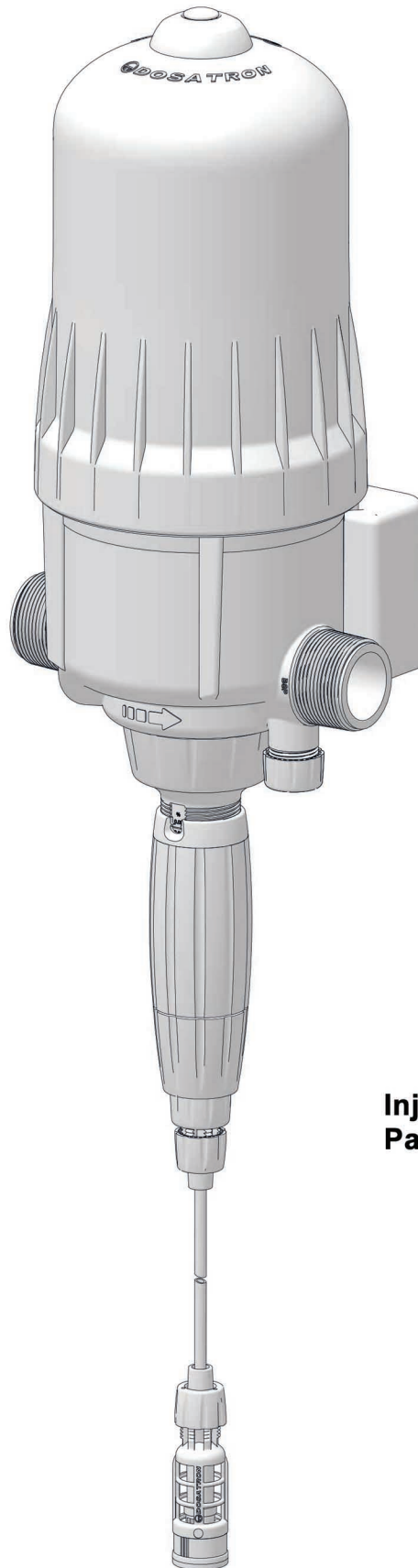


# D40WL3000NAF



Certified to  
NSF/ANSI 61 & 372

8 m<sup>3</sup>/h - 0.03 - 0.125%  
40 GPM - 1:3000 - 1:800  
0.15 - 8 bar  
2.2 - 116 psi



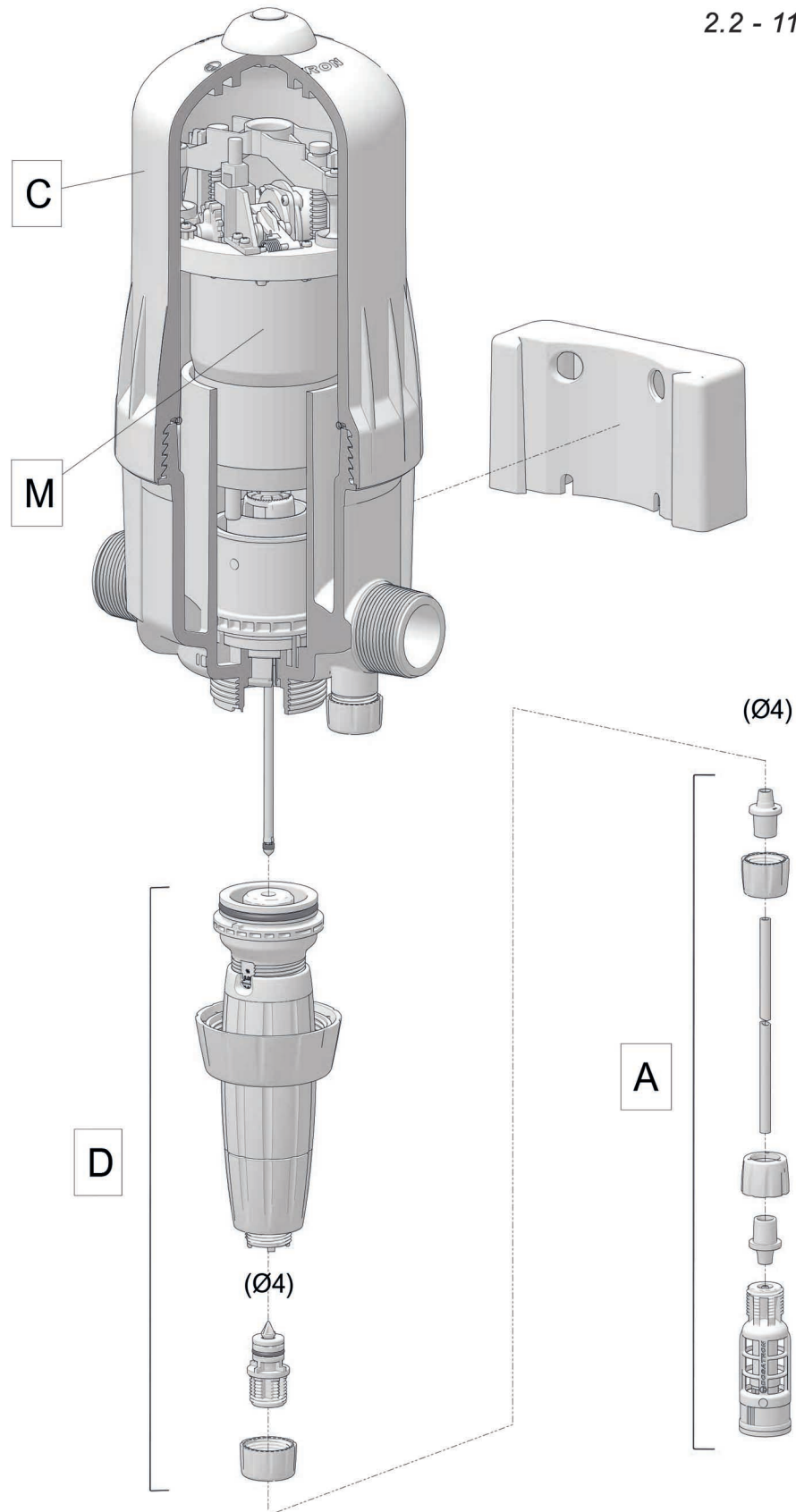
**Injection Seal Kit**  
**Part #: 8PJ075NAF**

# D40WL3000NAF



Certified to  
NSF/ANSI 61 & 372

8 m<sup>3</sup>/h - 0.03 - 0.125%  
40 GPM - 1:3000 - 1:800  
0.15 - 8 bar  
2.2 - 116 psi

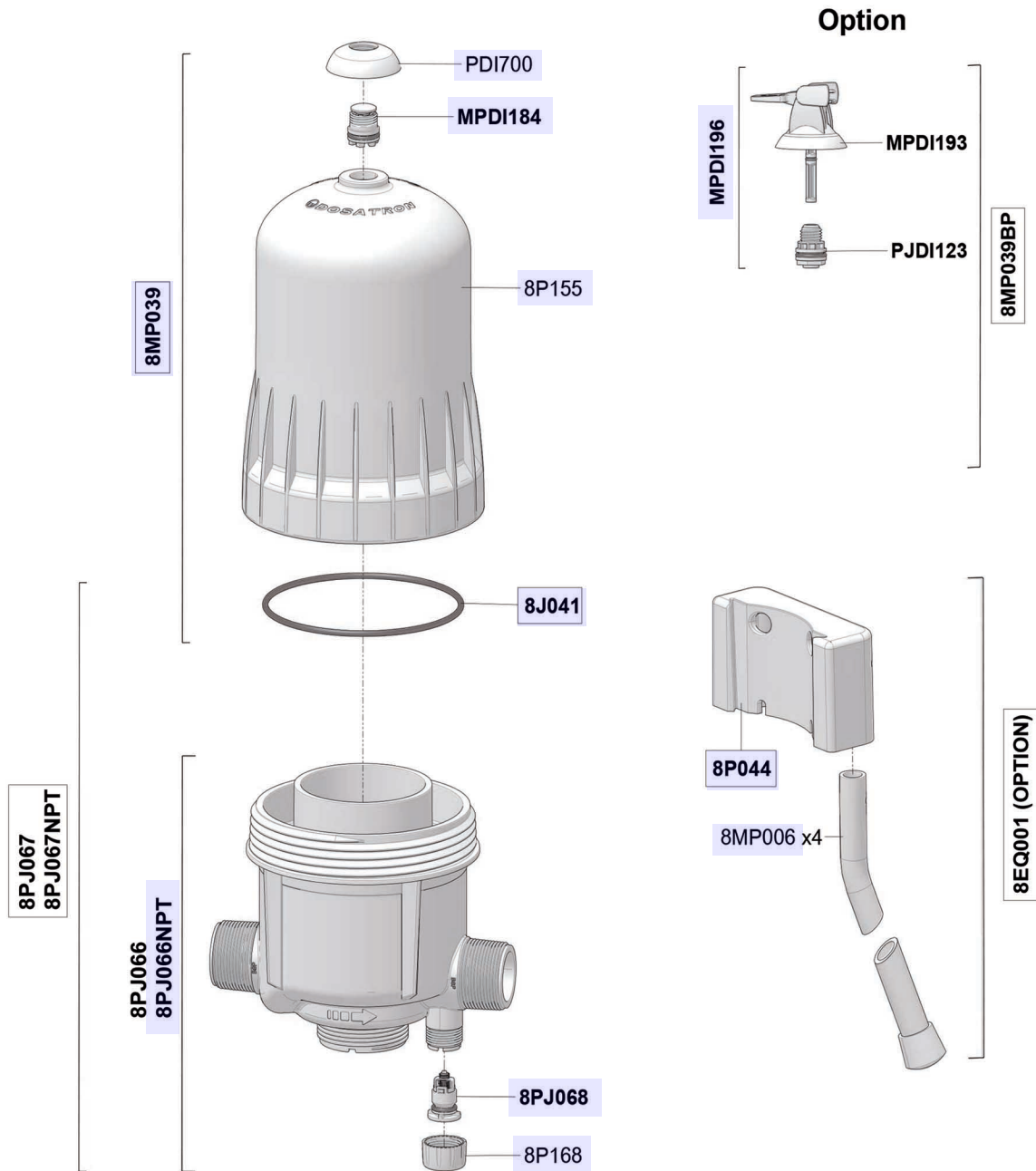


# D40WL3000NAF



Certified to  
NSF/ANSI 61 & 372

8 m<sup>3</sup>/h - 0.03 - 0.125%  
40 GPM - 1:3000 - 1:800  
0.15 - 8 bar  
2.2 - 116 psi



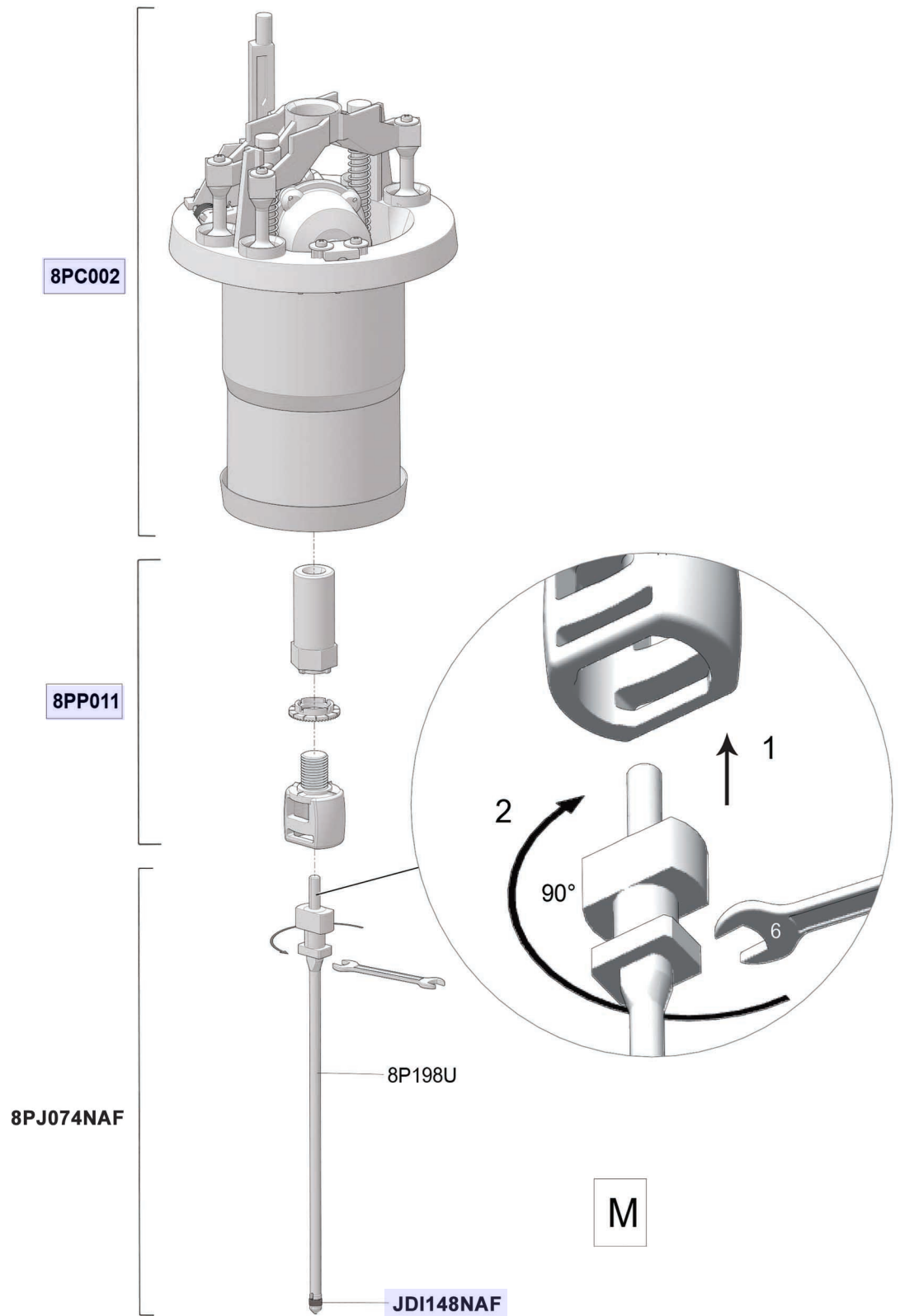
C

# D40WL3000NAF



Certified to  
NSF/ANSI 61 & 372

8 m<sup>3</sup>/h - 0.03 - 0.125%  
40 GPM - 1:3000 - 1:800  
0.15 - 8 bar  
2.2 - 116 psi

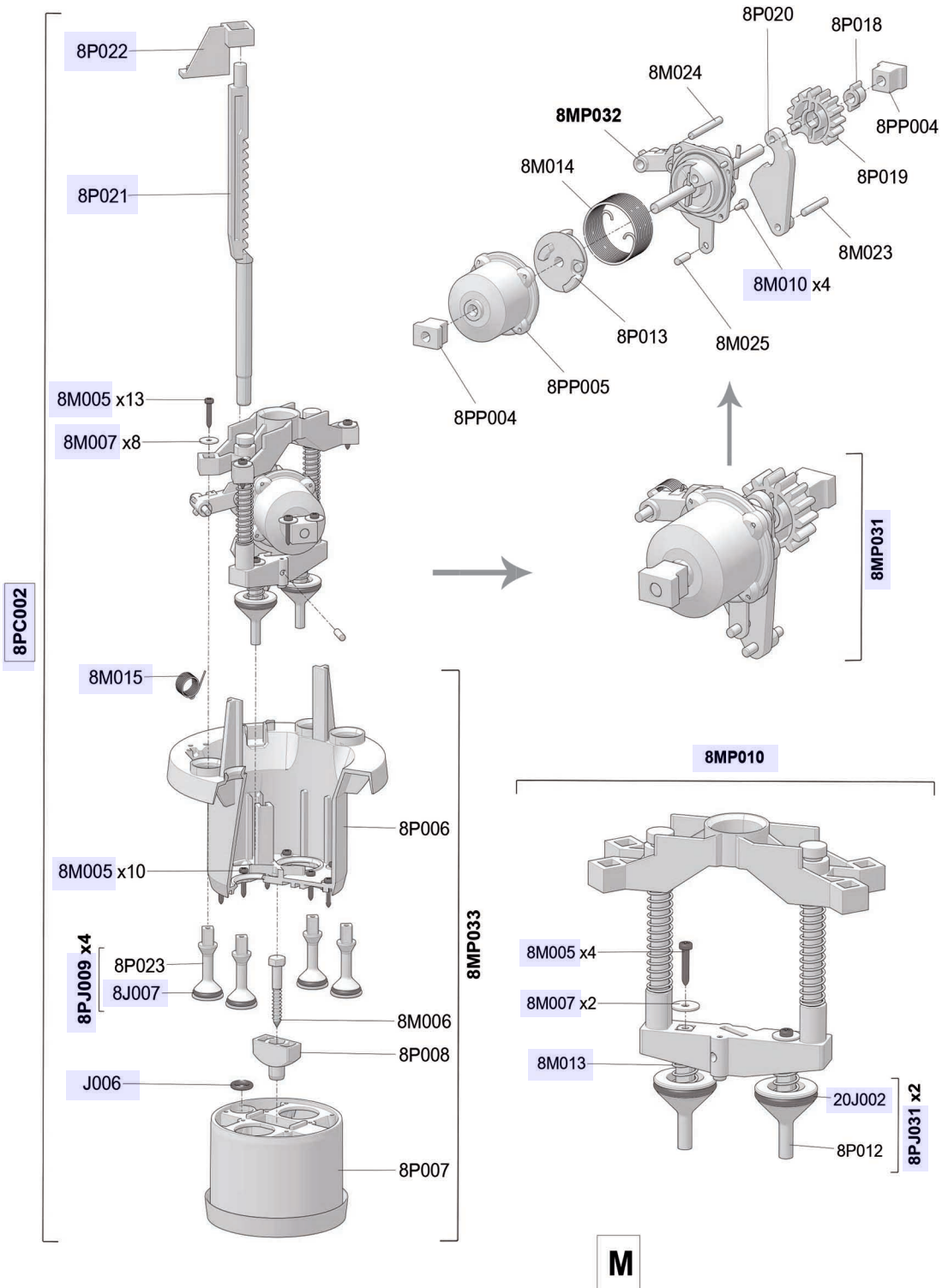


# D40WL3000NAF



Certified to  
NSF/ANSI 61 & 372

8 m<sup>3</sup>/h - 0.03 - 0.125%  
40 GPM - 1:3000 - 1:800  
0.15 - 8 bar  
2.2 - 116 psi

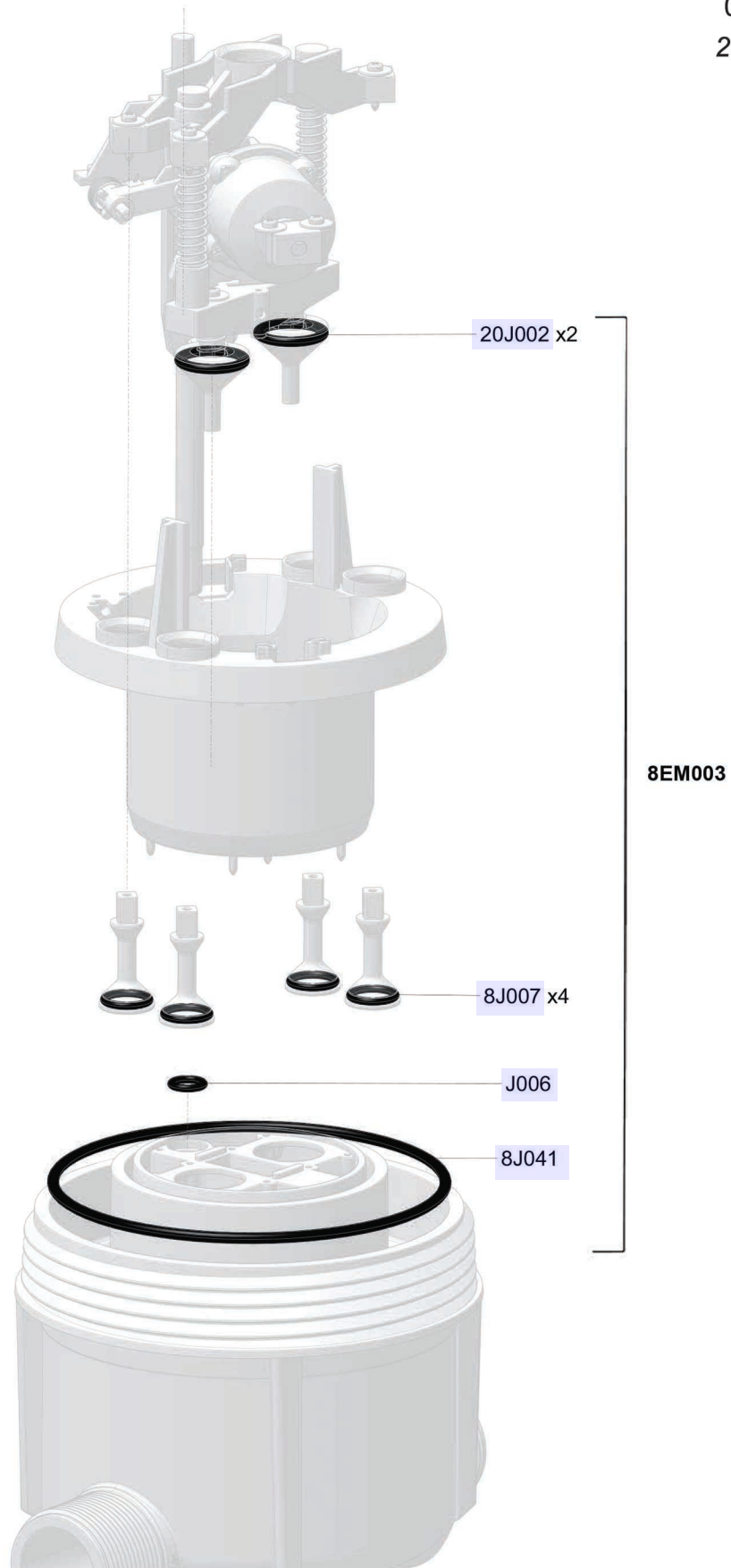


# D40WL3000NAF



Certified to  
NSF/ANSI 61 & 372

8 m<sup>3</sup>/h - 0.03 - 0.125%  
40 GPM - 1:3000 - 1:800  
0.15 - 8 bar  
2.2 - 116 psi

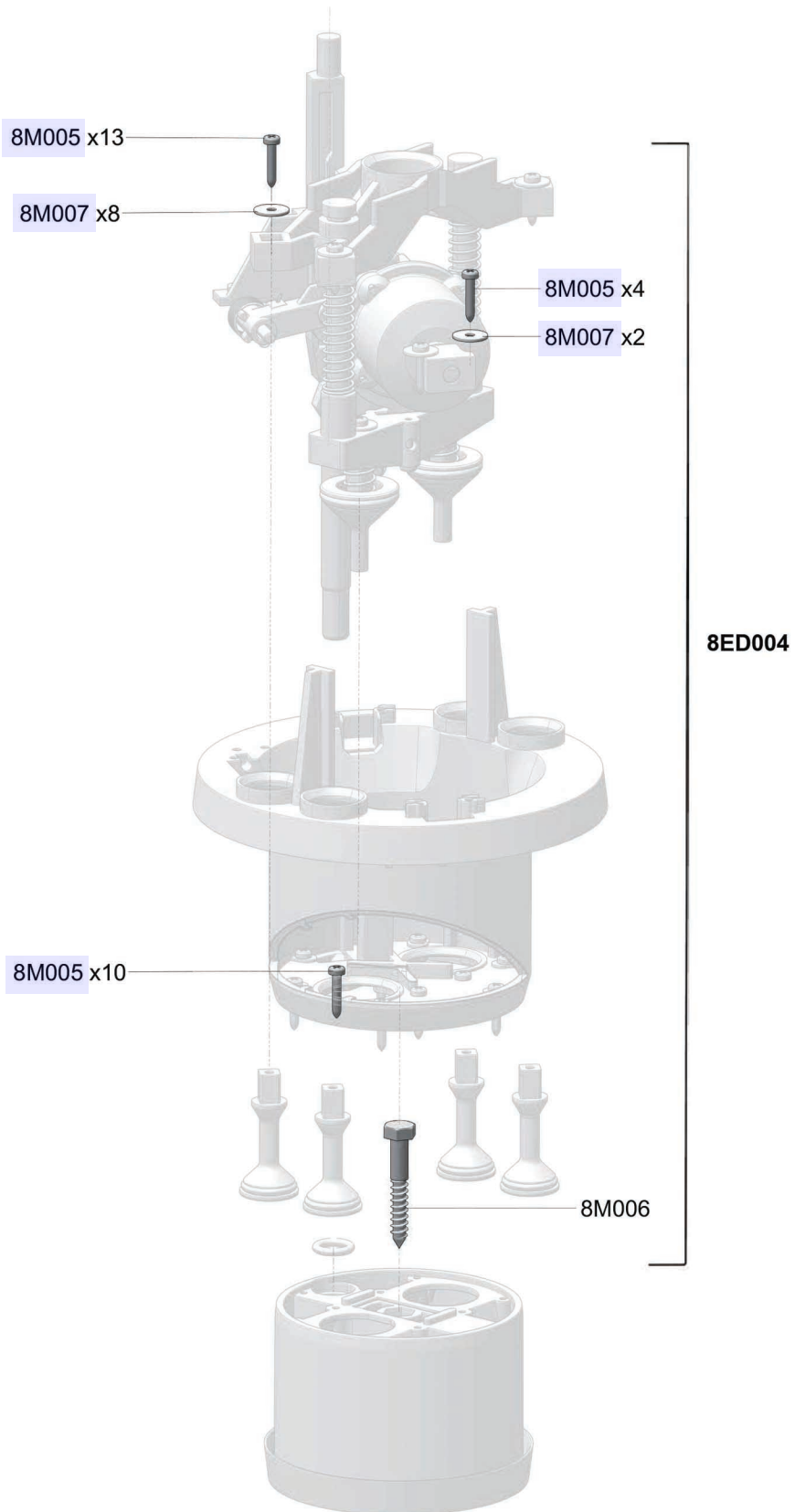


# D40WL3000NAF



Certified to  
NSF/ANSI 61 & 372

8 m<sup>3</sup>/h - 0.03 - 0.125%  
40 GPM - 1:3000 - 1:800  
0.15 - 8 bar  
2.2 - 116 psi





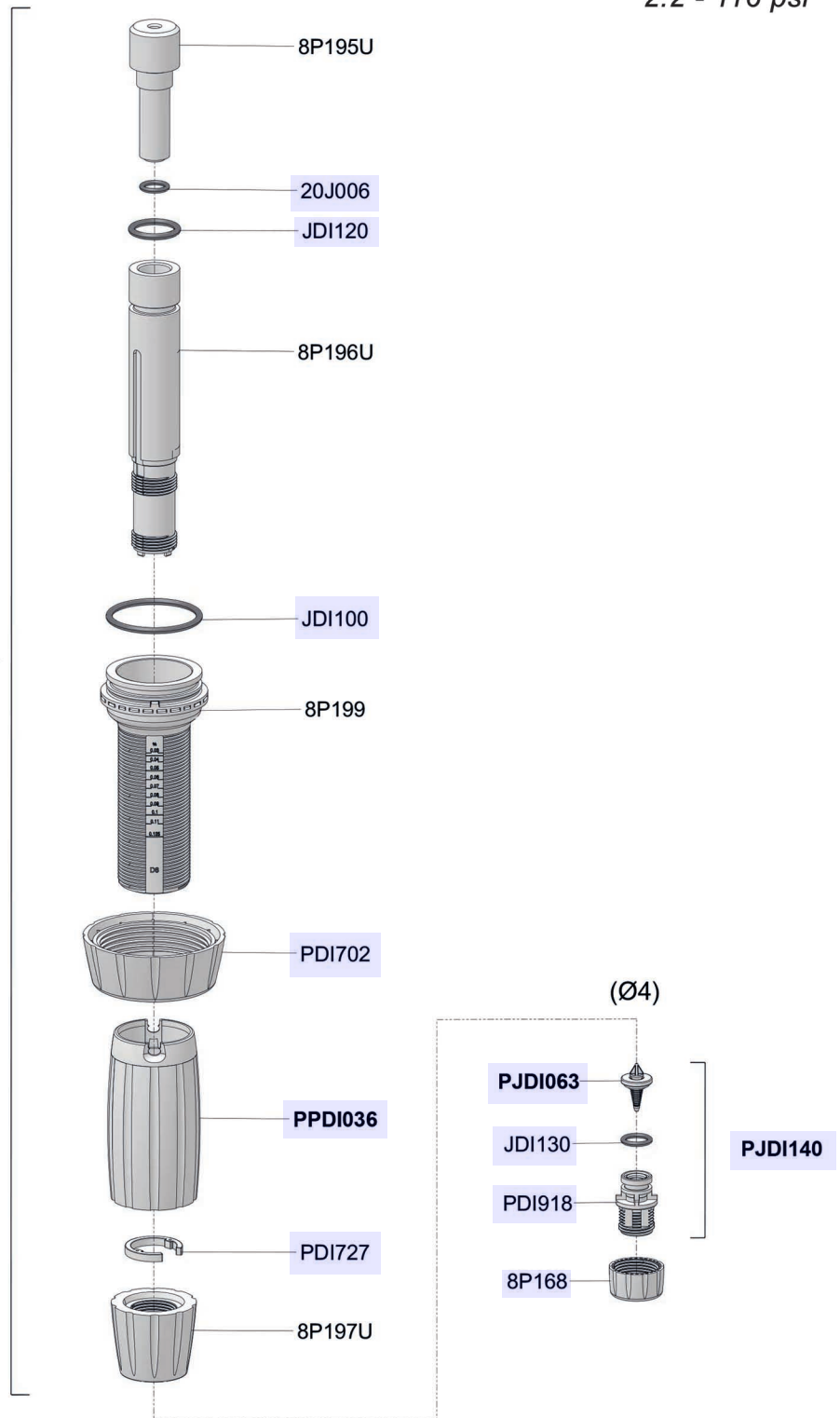
# D40WL3000NAF



Certified to  
NSF/ANSI 61 & 372

8 m<sup>3</sup>/h - 0.03 - 0.125%  
40 GPM - 1:3000 - 1:800  
0.15 - 8 bar  
2.2 - 116 psi

8CD035NAF



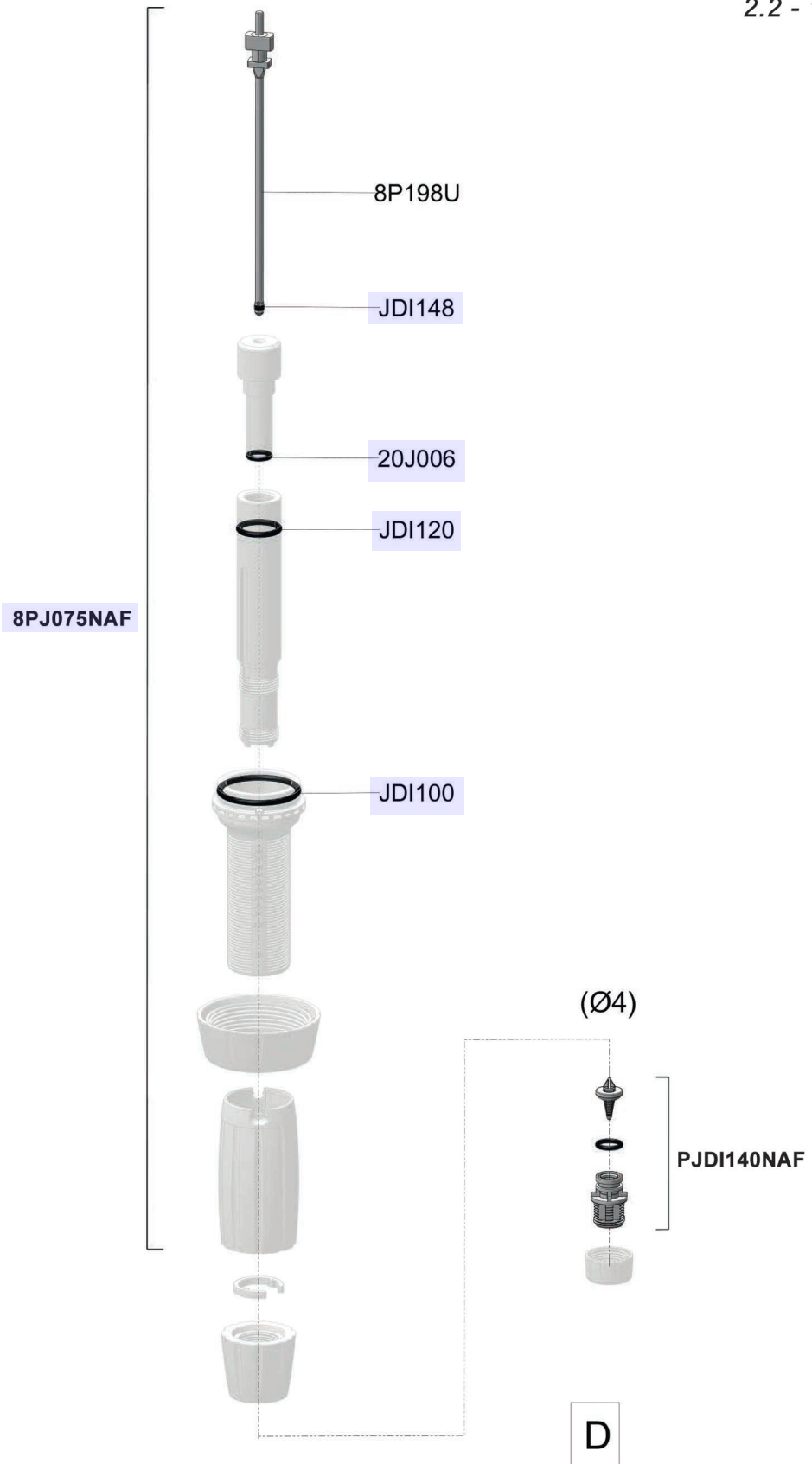
D

# D40WL3000NAF



Certified to  
NSF/ANSI 61 & 372

8 m<sup>3</sup>/h - 0.03 - 0.125%  
40 GPM - 1:3000 - 1:800  
0.15 - 8 bar  
2.2 - 116 psi



# D40WL3000NAF



Certified to  
NSF/ANSI 61 & 372

8 m<sup>3</sup>/h - 0.03 - 0.125%  
40 GPM - 1:3000 - 1:800  
0.15 - 8 bar  
2.2 - 116 psi

(Ø4)

MPDI205

