



DOSATRON[®]

Because life is powered by water[®]

Download our
DOSATRON
app



 **App Store**

 **Google play**

MANUFACTURED BY

DOSATRON INTERNATIONAL S.A.S.

Certified QEH&S System

Rue Pascal - B.P. 6 - 33370 TRESSES (BORDEAUX) - FRANCE

Tel. 33 (0)5 57 97 11 11

Fax. 33 (0)5 57 97 11 29 / 33 (0)5 57 97 10 85

info@dosatron.com - www.dosatron.com

© DOSATRON INTERNATIONAL S.A.S 2019



NTD30WL-EN-05-20

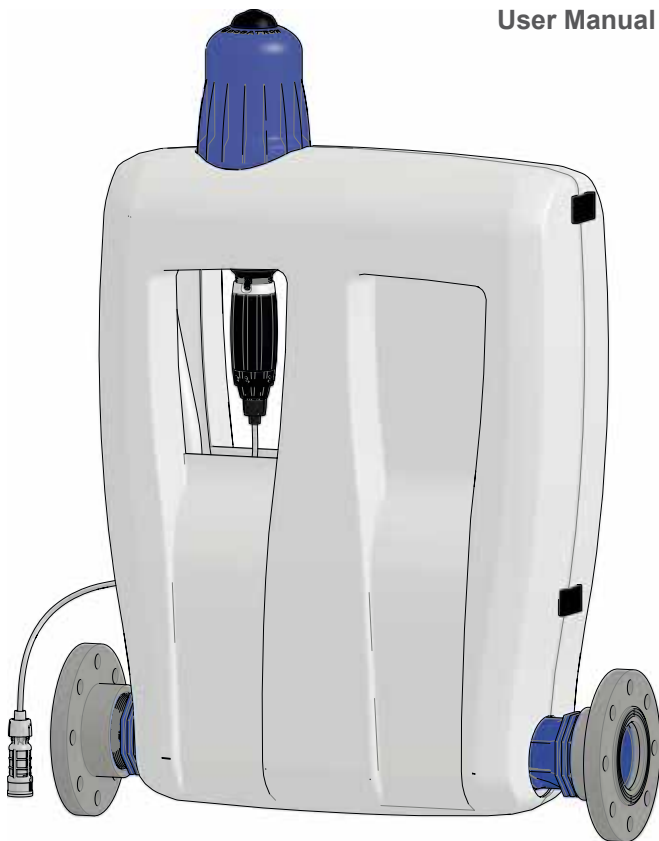


DOSATRON®

Because life is powered by water®



User Manual



D30 - WATER LINE



The eco-design challenge

DOSATRON is proud to be implementing a true Eco-design process by widening the scope of its ISO 14001 Certification and incorporating design and development activities.

The D30WL dosing pump is the fruit of this approach, and is an illustration of our desire to create innovative, eco-designed products:

- by reducing the number of parts
- by developing lighter products
- by designing 100% cardboard packaging in recycled materials
- by working with local or national suppliers to limit transport distances

Working in collaboration with APESA all our teams have completely integrated the concepts and tools that are inherent in Eco-design*

More widely Dosatron is committed to a global environmental approach by conducting practical actions to reduce environmental impacts.

* APESA sources – Global environmental impact – 2013 Ecological Scarcity Method

English

This document does not form a contractual obligation and is for information only. DOSATRON INTERNATIONAL reserves the right to alter its appliances at any time.
© DOSATRON INTERNATIONAL S.A.S 2020

You have just acquired a DOSATRON WATER LINE water-powered dosing pump. Congratulations on your choice. This model was produced using over 40 years of experience. Our engineers have placed the DOSATRON series at the forefront of technical development in the field of DOSATRON water-powered metering pumps. Over time this DOSATRON will prove to be a very loyal ally. Regular care and attention will guarantee you operation for which the word breakdown is never heard.

THEREFORE, PLEASE, READ THIS MANUAL CAREFULLY BEFORE PUTTING THE APPLIANCE INTO SERVICE.

Important!

The complete reference and serial number of your DOSATRON is shown on the technical label affixed to the pump body. Please record these numbers in the space below and refer to them when contacting your retailer or asking for information.

Ref.:

Serial No.:

Purchase Date:

NOTES

A series of 25 horizontal dotted lines for writing notes.

Contents

MARKING/IDENTIFICATION/CHARACTERISTICS

Codification of the reference	7
Characteristics	8
Dimensions	8

INSTALLATION

Precautions	12
Installation of the Dosatron	14
Changing the dosing scale	19
Connecting the suction hose	22
Installation tips	23
Automatic device to prevent siphoning of the product	25

PUTTING INTO SERVICE

Using for the first time.....	26
Use.....	27
Adjusting the dosing rate	27
Dosing principle	28
By-Pass option.....	28
IE option.....	28

MAINTENANCE

Recommendations	30
Draining the Dosatron.....	31
Removing the suction hose	32
Removing/Refitting the dosing part	33
Changing seals in the dosing part	34
Removing/Refitting the dosing piston	36
Cleaning and refitting the suction valve	36
Changing the motor piston ..	37

TROUBLESHOOTING

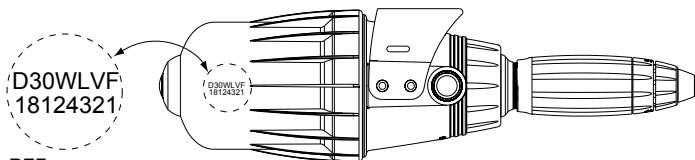
LIMITED WARRANTY

Marking/Identification Characteristics

Your dosing pump has 2 main marking zones enabling it to be identified in detail:

A 2-line engraving on the section of the top (see picture below), containing the exact reference for the appliance and the serial number.

A technical label on each side of the case indicating the technical performances of the appliance.



REF.
Serial No.

CODIFICATION OF THE REFERENCE

REF. :	Serial No.:							
Example	D30	WL	30000	N	IE	BP	AF	K
Dosatron Range								
Product line WL: Water Line								
Dosing								
Certification N: ACS drinking water standard								
IE: external injection option								
BP: Manual by-pass option								
Dosing Seals AF: Alkaline fluid/VF: Acid fluid								
K: Option of Kalrez plunger seal for concentrated acid products								

CHARACTERISTICS

	D30WL30000	D30WL30000IE	D30WL5000
--	------------	--------------	-----------

Operating flow:

Min. l/h - Max. l/h	8,000 - 30,000		
US gpm min. - max.	35.2 - 132		

Max. operating temperature: 40°C [104°F]

Operating pressure:

bars	0.5 - 8	0.5 - 6	0.5 - 8
psi	7 - 116	7 - 87	7 - 116

Dosing adjustable from the exterior:

%	0.003 - 0.03	0.003 - 0.03	0.02 - 0.2
Ratio	1/30,000 - 1/3,000	1/30,000 - 1/3,000	1/5000 - 1/500

Concentrate injection flow:

Min. l/h - Max. l/h	0.24 - 9	0.24 - 9	1.6 - 60
US Fl. oz/min - MIN	0.135 - 5	0.135 - 5	0.9 - 33.8
US Fl. oz/min - MAX	0.001 - 0.04	0.001 - 0.04	0.007 - 0.26

Connection: Thread DN80 BSP or flange DN80 PN10

Hydraulic motor capacity (every two clicks of the piston i.e. one Cycle):
about **0.53 l** [0.14 US Gallons]

**IMPORTANT! The DOSATRON is not pre-set,
please refer to the paragraph ADJUSTING THE DOSING**

DIMENSIONS

Diameter: cm ["]	22.3 [8 13/16]
Total height: cm ["]	91.3 [36 3/4]
Overall width: cm ["]	65.2 [25 11/16]
Weight: ± kg [lbs]	15 [33.07]

PARCEL COMPOSITION: 1 DOSATRON/1 Dosatron regulator/
1 suction hose for concentrate/1 strainer/2 Flanges/
1 quick start guide

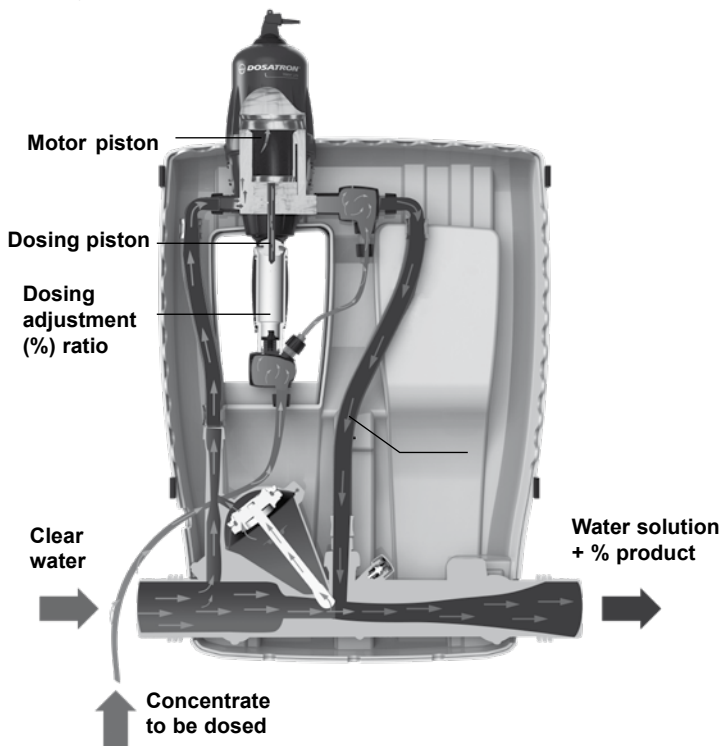
PACKAGING DIMENSIONS:

106 x 69 x 6 cm [41 47/64" x 27 11/64" x 10 15/64"]

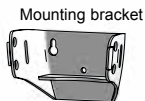
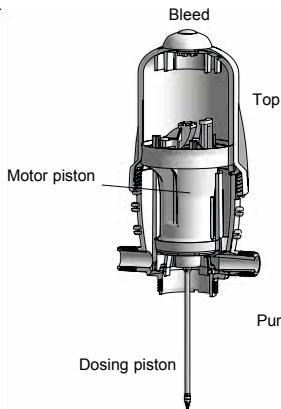
PARCEL WEIGHT: Approx. 19 kg [~ 41.88 US lbs]

DOSATRON Technology

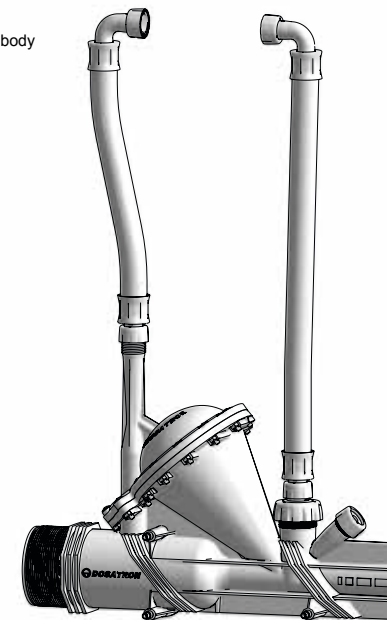
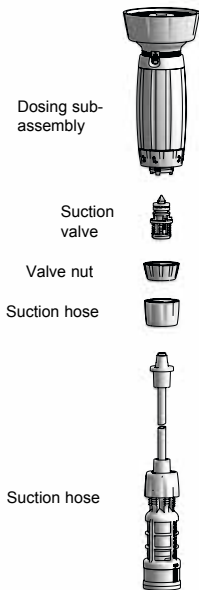
A unique technology incorporating all dosing functions. Installed on the water supply line, the Dosatron uses water pressure as the only power source. Thus activated, it takes up the required percentage dose of concentrate and then mixes it with the moving water. The solution produced is then propelled downstream. The dose of injected product is always proportional to the volume of water passing through the Dosatron, regardless of variations in flow or pressure in the water supply line.



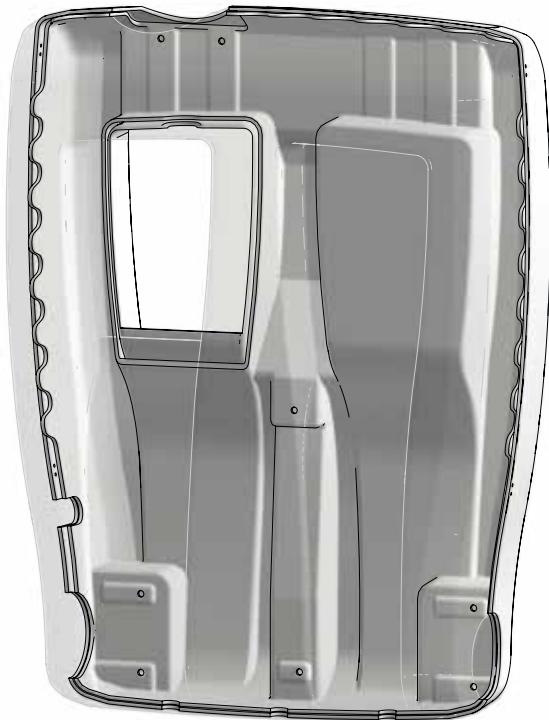
MOTOR SECTION



DOSING PART



Case



Installation

PRECAUTIONS

1-GENERAL POINTS

- When connecting a DOSATRON either to the public water supply line or to its own water source, it is essential to adhere to the standards concerning protection and disconnection. DOSATRON recommends a disconnecter to prevent contamination of the water supply.
- When connecting the DOSATRON to the water supply line, ensure that the water flows in the direction of the arrows shown on your appliance.
- If the installation is higher than the DOSATRON itself, there is a possible risk of water and concentrate flowing back into the DOSATRON. Installing a non-return valve downstream of the appliance is therefore recommended.
- Placing an anti-siphoning valve downstream of the dosing pump is recommended in installations where there is a risk of siphoning.
- Do not install the DOSATRON above a container of acid or aggressive product. Move the can away and protect it from possible product fumes with a cover.
- Store the DOSATRON away from excessive heat sources and in winter away from frost.
- Do not install the DOSATRON on the water pump suction circuit (risk of siphoning).
- It is the responsibility of the user to replace the dosing part seals annually to ensure accurate dosing.
- The adjustment of the Dosatron's dosing is the sole responsibility of

the user. The user must adhere strictly to the recommendations of the manufacturer of the chemicals.

⚠ WARNING

When installing, operating, and maintaining the DOSATRON water-powered dosing pump, as a priority observe the safety instructions:

Use suitable tools, protective clothing, and safety glasses when working on the equipment and install it with a view to ensuring risk-free operation.

Follow the instructions in this manual and take safety measures appropriate to the nature of the suctioned liquid and the water temperature. Be extremely careful in the presence of hazardous substances (corrosives, toxic substances, solvents, acids, caustics, flammable substances, etc.).

- For dosing these substances, please consult your distributor before use to confirm compatibility with the dosing pump.

⚠ IMPORTANT! The personnel in charge of the installation, use and maintenance of this equipment must have perfect knowledge of the content of this manual.

- Ensure that the water flow and pressure of the installation are compliant with the DOSATRON

characteristics.

- Adjustment of the dosing must be made unpressurised. Turn off the water supply and allow the pressure to drop to zero.
- It is the sole responsibility of the user to select the DOSATRON adjustments to obtain the desired dosing.
- An airtightness problem, an impurity or a chemical attack on the seal can interrupt the dosing operation. Periodic checking that the concentrate to be dosed is being correctly drawn into the DOSATRON is recommended.
- Change the DOSATRON suction hose as soon as it seems damaged by the concentrate being dosed.
- Release the pressure after use (advised).
- Rinsing of the DOSATRON is essential:
 - whenever the product is changed
 - before handling the DOSATRON, to avoid any contact with aggressive products.
- All assembly and tightening should be done manually without tools (outside tightening torque recommendations).

2-WATER WITH HIGH PARTICLE CONTENT

- If the water has a high abrasive particle content which could cause premature wear of the Dosatron, it is essential to install an upstream filter (e.g. 130 microns - 120 mesh or finer).

3-WATER-HAMMER/OVERFLOW

- For installations subject to water hammer, a water hammer protection device must be fitted (pressure/flow

control system).

- For automated installations, it is preferable to use slow opening and slow closing solenoid valves.
- In the case where a DOSATRON serves several sectors, activate the solenoid valves simultaneously (closure of one sector and opening of another sector at the same time).

4-INSTALLATION LOCATION

- The DOSATRON and the product to be dosed should be accessible.
- Their installation must under no circumstances present a pollution or contamination risk.

5-MAINTENANCE

- After use, the aspiration of clear water is recommended.
- Annual maintenance will optimise the life of your DOSATRON. Annually replace the dosing part seals and the product suction hose.

6-SERVICE

- This DOSATRON was tested prior to packaging.
- Repair sub-assemblies and sachets of seals are available.
- Do not hesitate to call your distributor or DOSATRON for any after-sales services.

INSTALLATION OF THE DOSATRON

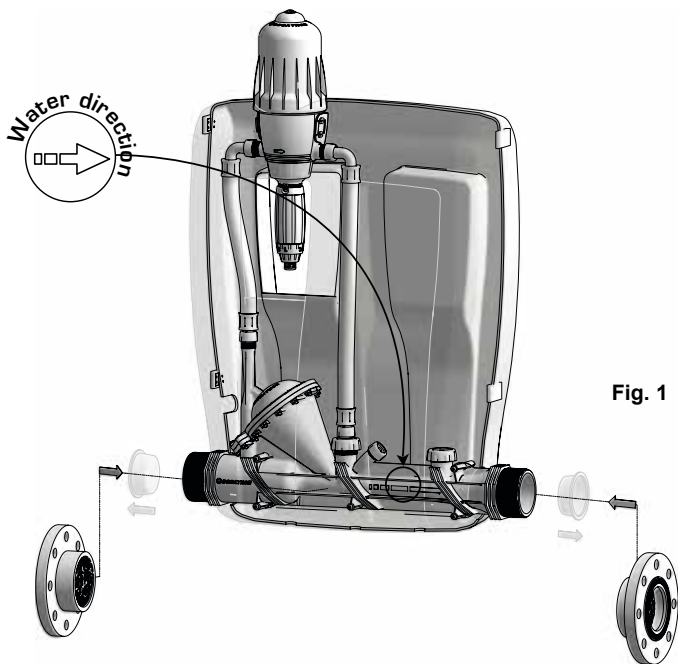


Fig. 1

THE INSTALLATION ASSEMBLY SHOULD BE CARRIED OUT WITHOUT TOOLS

The DOSATRON is delivered with:

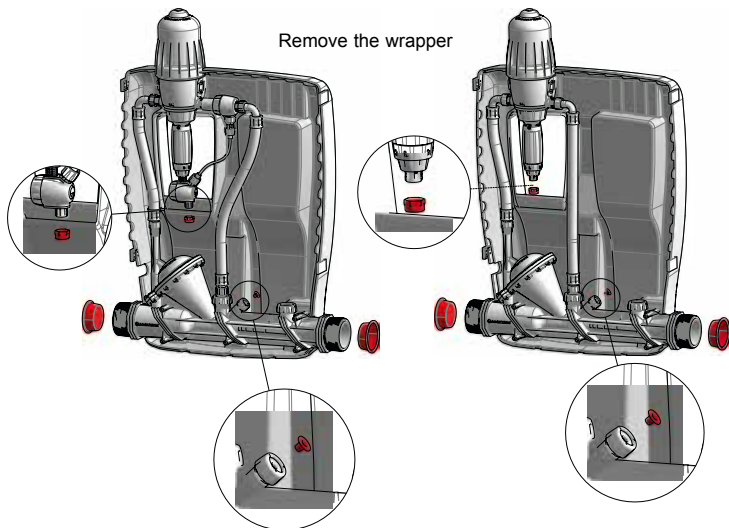
- Two flanges DN 80 Pn10 ISO
- A suction hose fitted with a strainer.
- A User Manual

Remove the protective caps (**Fig. 1**) which block the openings in your DOSATRON, before connecting it to the water supply line.

Open the Dosatron



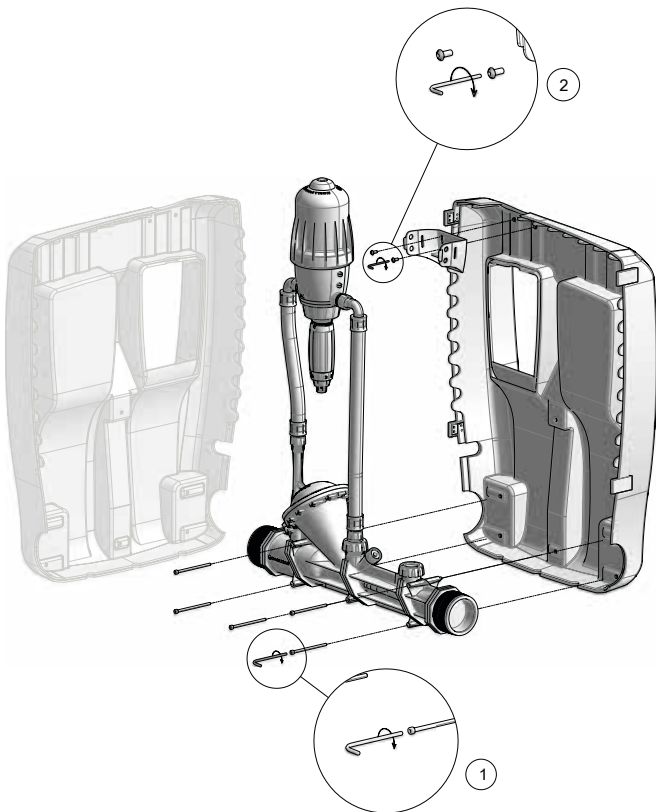
Remove the wrapper

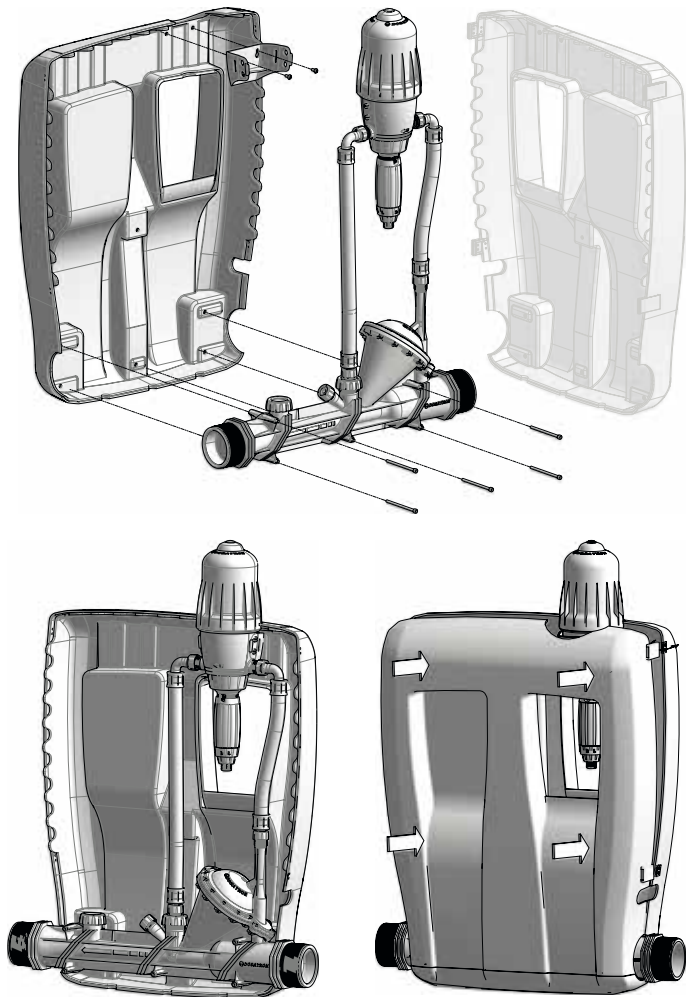


INSTALLATION OF THE DOSATRON (continued)

2 scenarios:

- 1 If the water direction indicated by an arrow on the dosing pump is identical to the direction of your installation: The assembly can operate.
- 2 If the direction is reversed:



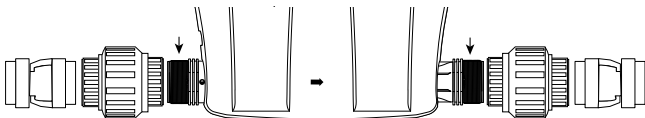


INSTALLATION OF THE DOSATRON (continued)

Two assembly choices are possible:

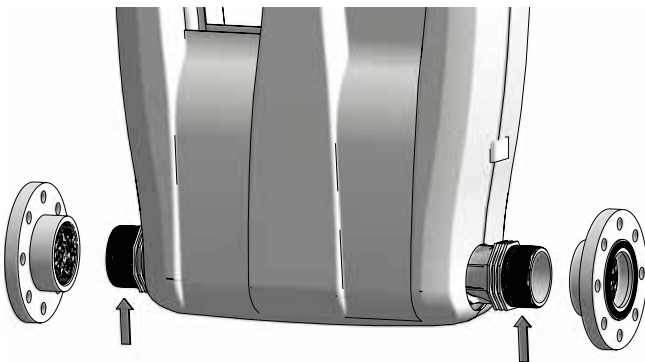
A. Threaded connections.

The D30WL connection is BSP male threaded. Before screwing it onto your installation, ensure that you make its thread watertight.



B Flange connections.

The D30WL is delivered with two DN80 PN10 ISO flanges that you can screw directly onto the dosing pump. Ensure that you make them watertight when connecting them.

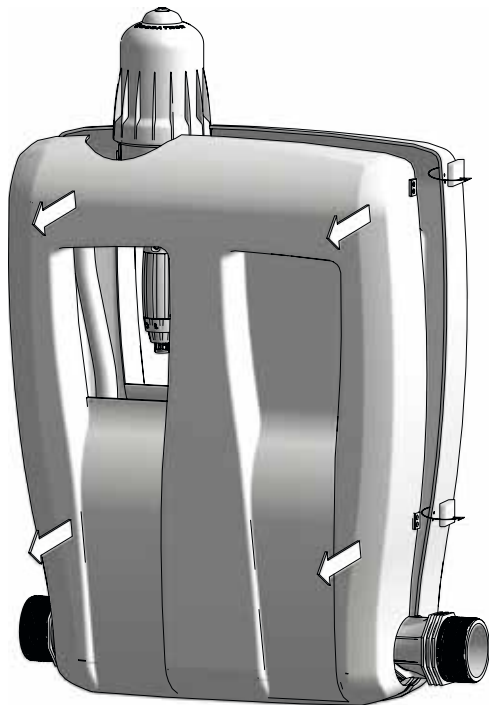


Flange tightening torque: 18 Nm
(reminder: 1 N·m = 0.1 DaN.m)

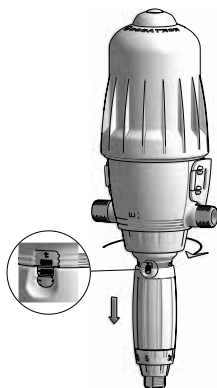
CHANGING THE DOSING SCALE

The DOSATRON dosing can be adjusted according to two scales: percentages and ratios. These scales are positioned on either side of the dosing part.

Depending on the liquid circulation direction in the hydraulic installation, and on the direction in which the dosing pump is mounted on its bracket, it may be necessary to change the orientation of this scale.



CHANGING THE DOSING SCALE (continued)



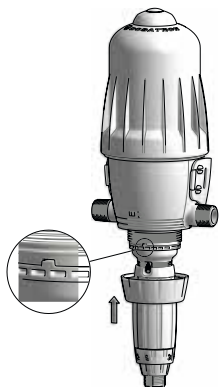
- These scales are positioned on either side of the dosing part.

Fig. 2



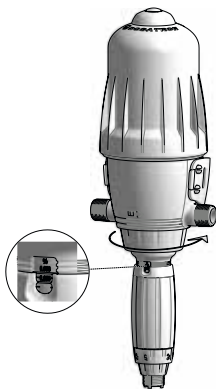
- Completely unscrew the fixing nut on the dosing part and choose your scale by turning the dosing pump body through 180°.

Fig. 3



- Insert the dosing body into the pump body taking care to align the centring pins **(Fig. 4)**. If necessary, to see the pins better, unscrew the dosing adjustment sleeve as far as the middle of its travel.

Fig. 4



- Manually retighten the fixing nut on the dosing part

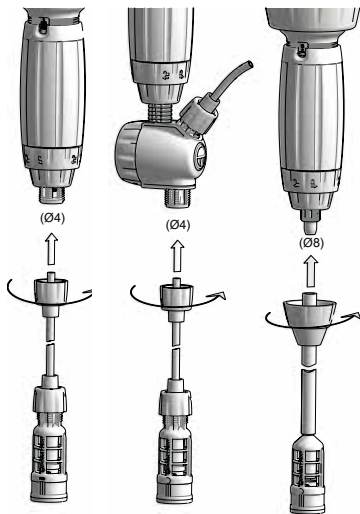
Fig. 5

CONNECTING THE SUCTION HOSE

The DOSATRON is delivered with a suction hose (to be shortened as necessary) enabling its use with a chemical tank.

This hose must be fitted with the strainer and ballast.

NOTE: The maximum suction height is 4 metres [13 ft].



- Unscrew the nut (**Fig. 6**) at the bottom of the dosing part and thread the suction hose into the nut.
- Push the hose into the barbed fitting as far as it will go and tighten the nut by hand.
- Assemble the strainer on the other end of the hose using the same method
- Immerse the strainer into the solution to be dosed

Fig. 6

INSTALLATION TIPS

The DOSATRON must be assembled in by-pass as shown below (Fig. 7). An in-line assembly is possible but not recommended because it does not enable the dosing pump to be easily isolated for maintenance (necessary to cut off the water supply).

For installations from gravity tanks ensure that the minimum water pressure for the dosing pump to operate correctly is available.

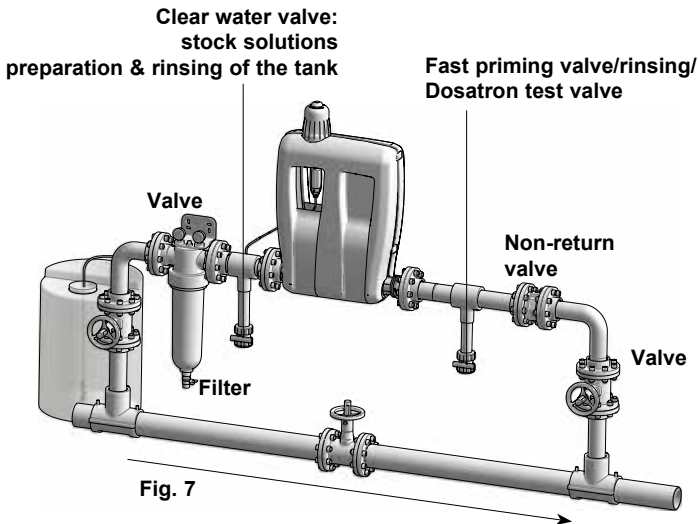


Fig. 7

Installing the DOSATRON on a by-pass enables clear water to be supplied to the installation without operating the DOSATRON and enables it to be easily dismantled.

If your flow is above DOSATRON limits, see § OVERFLOW.

The guarantee can only apply if there is a filter upstream of the dosing pump.

INSTALLATION TIPS (continued)

To prolong the service life of the DOSATRON, it is advisable to fit an upstream filter (e.g. 300 mesh - 60 microns depending on your water quality) upstream of the DOSATRON. This precaution is essential if the water contains impurities or particles, especially if the water comes from a well or it is surface water.

For any installation on the drinking water supply line, respect the standards and regulations in force in the country.

OVERFLOW (as an indication)

If your DOSATRON clicks more than **45 times in 15 seconds**, (i.e. 23 cycles) you are at the upper flow capacity limit. To go beyond this, select a DOSATRON with a higher water flow capacity.

IMPORTANT! Leave the strainer about 10 cm [4"] from the bottom of the container of solution in order to prevent insoluble particles from being aspirated. They may damage the dosing pump body. The strainer must not rest on the bottom of the container.

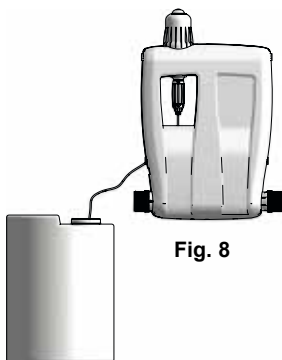


Fig. 8

◀ WHAT YOU SHOULD DO

WHAT YOU MUST NOT DO

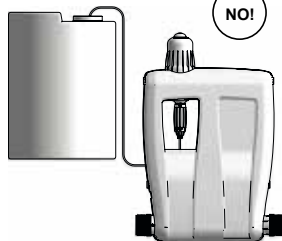


Fig. 9

Under no circumstances should the stock solution level be above the water inlet flange of the dosing pump. This is to avoid any risk of siphoning (Fig. 9).

AUTOMATIC DEVICE TO PREVENT SIPHONING OF THE PRODUCT

- It restores atmospheric pressure in the installation automatically if there is accidental depressurisation* (**Fig. 10**).

- To put it into service, remove the red wrapper.

*example: case where the dosing pump outlet is lower than the inlet

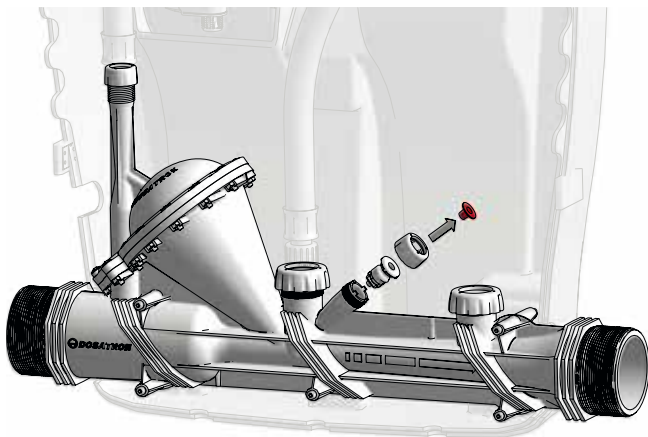


Fig. 10

Putting the DOSATRON into service

PUTTING INTO SERVICE FOR THE FIRST TIME

- Partially open the water inlet.
- Press the bleed button on the top cap.
- When water seeps out and air escapes around the button, release the button.
- Slowly open the Dosatron By-pass valves by closing the main valve.
- Slowly open the fast priming valve situated downstream of the Dosatron.
- Allow it to operate until the product to be dosed rises in the dosing part (visible through the transparent hose), then close the fast priming valve.
- The DOSATRON makes a characteristic "click-clack" noise when working.

Fig. 11



In its upper part the DOSATRON may be fitted with a standard by-pass function (optional equipment):

- By-pass on ON, the DOSATRON works and the product is drawn up.
- By-pass on OFF, the DOSATRON is stopped and does not draw up the product.

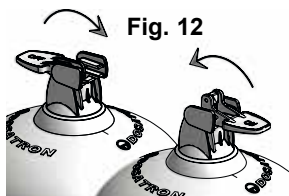


Fig. 12

Place the by-pass on ON. Gradually open the water inlet.

The Dosatron self-priming. Allow it to operate until the product to be dosed rises in the dosing part (visible through the transparent hose). The DOSATRON makes a characteristic "click-clack" noise when working.

(Fig.12)

NOTE: The time required to prime the dosed solution depends on the flow, the dosing adjustment and the length of the product suction hose.

To accelerate priming, set dosing to maximum.

Once priming has been carried out, drop the pressure to zero and adjust the dosing to the desired value (see § ADJUSTING THE DOSING).

USE

The device is designed to operate with fluids the temperature of which must not exceed 40°C or 104°F (engine fluid, additive, engine fluid/additive mixture). If the installation is subject to operating at temperatures lower than 5°C (41°F), protect the installation from frost (see precautions in the user manual). The dosing pumps are designed for use at up to 8 bars (116 psi) or IE option (6 bars - 87 psi). The installation must be protected against any overpressure risk. In addition, the installation must be sized to avoid any oscillatory hydraulic phenomenon (water hammer). If necessary, a water hammer protection device should be fitted.

ADJUSTING THE DOSING (unpressurised)

IMPORTANT! Do not use tools

Dosing adjustment must be carried out unpressurised

- Turn off the water inlet and allow the pressure to drop to zero.
- Unscrew the dosing locking nut (**Fig. 13**).
- Screw or unscrew the adjusting sleeve so that the 2 display eyelet dots are facing the desired dosing marker
- Retighten the dosing locking nut

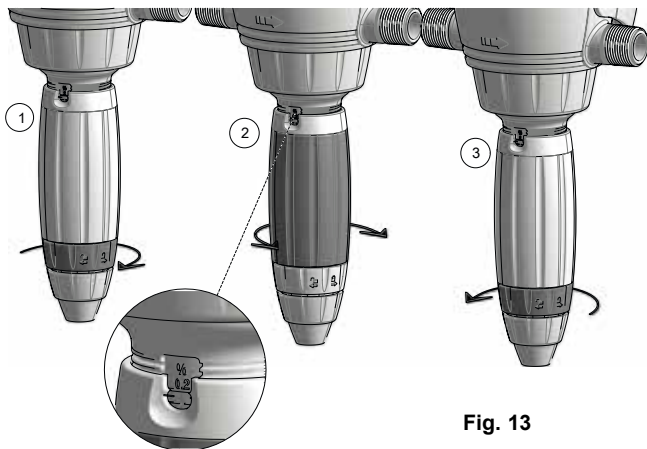


Fig. 13

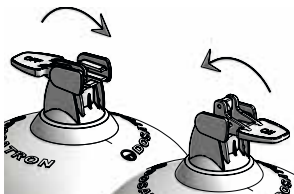
DOSING PRINCIPLE

Principle: Adjustment at 1% - 1/100 = 1 volume of concentrate to 100 volumes of water.

BY-PASS OPTION

In its upper part the DOSATRON may be fitted with a standard by-pass function (optional equipment):

- By-pass on ON, the DOSATRON works and the product is drawn up.
- By-pass on OFF, the DOSATRON is stopped and does not draw up the product.



IE OPTION

As an option the Dosatron may be delivered with an external injection module. This module allows dosing of sodium or calcium hypochlorite at a higher concentration.

Maintenance

Before any maintenance on the DOSATRON, it is essential to refer to the § PRECAUTIONS.

RECOMMENDATIONS

1 - Periodically dismantle the entire dosing part. Refit it having previously siliconised the seal (Fig.14).

2 - When you use soluble products in solution it is recommended that the entire dosing part be dismantled periodically (see: § CLEANING THE SUCTION VALVE, § CHANGING THE DOSING SEALS). Rinse the elements of the dosing part with a large quantity of clear water.

3 - Before putting the DOSATRON back into service at the start of the period of use, remove the motor piston and soak it in lukewarm water (< 40°C) for several hours. This helps to remove any deposits which may have dried onto the motor piston.

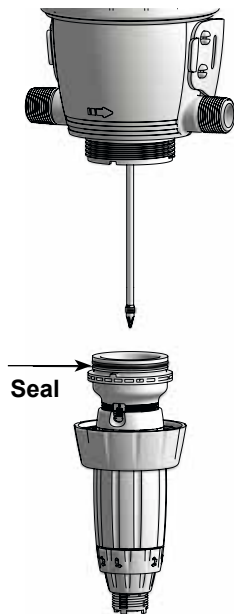
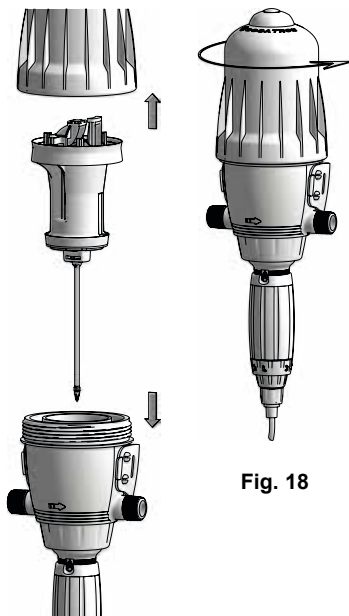
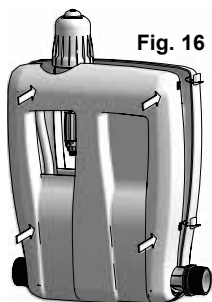
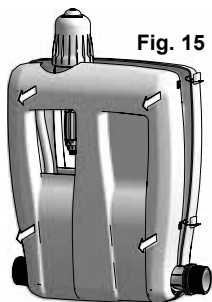


Fig. 14

DRAINING THE DOSATRON

In order to perform complete maintenance on the DOSATRON, or to protect it from frost, draining it may be necessary.

- Turn off the water inlet and let the pressure drop to zero. Open the dosing pump housing.
- Remove the dosing part (§ Dismantling/refitting the dosing part).
- Unscrew the top and take out the motor.
- Disconnect the connections at the water inlet and outlet.
- Empty the main body after having removed it from the mounting bracket.
- Refit, having first cleaned the motor top cap seal.
- Close the dosing pump housing again.



DISMANTLING THE SUCTION HOSE

Before any maintenance on the DOSATRON, it is essential to refer to the § PRECAUTIONS.

Before dismantling, and to avoid any contact with the dosed products, operate the DOSATRON by aspirating clear water to rinse the hose and the dosing part.

- Unscrew the nut at the bottom of the dosing part (**Fig. 19**)
- Pull downwards to remove the hose from the suction valve head (**Fig. 20**).
- Reassemble in the reverse order. If necessary, consult § CONNECTING THE SUCTION HOSE.

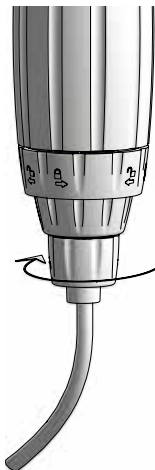


Fig. 19

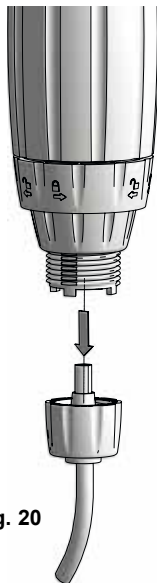


Fig. 20

DISMANTLING/REFITTING THE DOSING PART

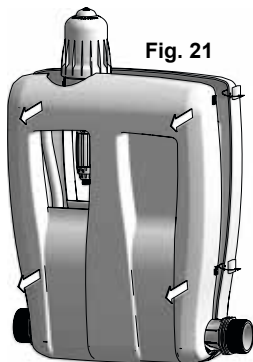


Fig. 21

Before any maintenance on the DOSATRON, it is essential to refer to the § PRECAUTIONS.

Before dismantling, and to avoid any contact with the products dosed, operate the DOSATRON by aspirating clear water to rinse the dosing part.

- Turn off the water inlet and let the pressure drop to zero. Open the dosing pump housing.
- Remove the suction hose (see § DISMANTLING THE SUCTION HOSE)
- Completely unscrew the fixing nut on the dosing part

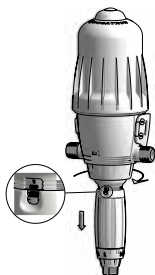


Fig. 22



Fig. 23

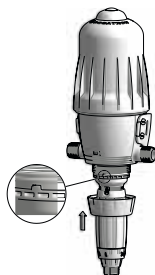


Fig. 24

- Pull downwards to remove the dosing part. (Fig. 22)
- Before refitting, position the dosing part according to the desired scale (percentage or ratio).
- Insert the dosing body into the pump body taking care to align the centring pins (Fig. 23). If necessary, to see the pins better, unscrew the dosing adjustment sleeve as far as the middle of its travel.
- Manually retighten the fixing nut on the dosing part.

CHANGING THE DOSING PART SEALS

Frequency: At least once per year (D30WL5000 - Fig 25, D30WL30000 - Fig 26)

Contact DOSATRON or a dealer to select the appropriate seal kit for your dosing pump.

For dismantling the dosing part, follow the instructions in the § DISMANTLING/REFITTING THE DOSING PART.

IMPORTANT! Only use a suitable tool.

Replace the dosing piston seal:

- Between finger and thumb, pinch the component and the seal; push it towards the other side to distort the seal. **(opposite)**
- Increase the distortion to grip the part of the seal which overlaps and then pull it out of its groove.
- Clean the seal seating without any tools.
- Refitting is carried out by hand. It is very important that the seal is not twisted once in place as this would impair its watertightness.



For a D30WL 30000 version, replace the complete dosing piston (Fig.26)

Replace the dosing body O-ring (Fig.14):

- Apply the method explained above.

Replace the suction valve

- Unscrew the suction valve locking nut (Fig.19)

- Release the suction valve by pulling it into the axis of the dosing part (Fig.33 & 34)

Replace the dosing pump body O-ring (Fig.30):

- Unscrew the suction valve locking nut and the viewing ring completely (Fig. 27)

- Release the snap ring. (Fig. 28)

- Take out the dosing pump body by pushing it through the dosing body (Fig. 29)

- Replace the dosing pump body O-ring (Fig.30)

- Refit the dosing pump body into the dosing body using the centring pins.

- Refit the snap ring so that it is positioned in the groove provided for this.

- Completely retighten the viewing rings and the dosing locking nut.

- Finish by refitting the suction valve and its locking nut.



Fig. 25



Fig. 26

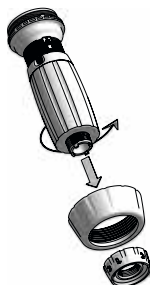


Fig. 27

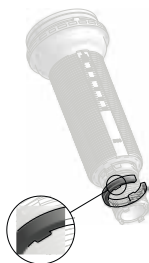


Fig. 28

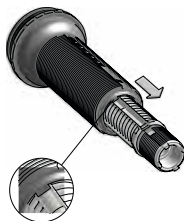


Fig. 29



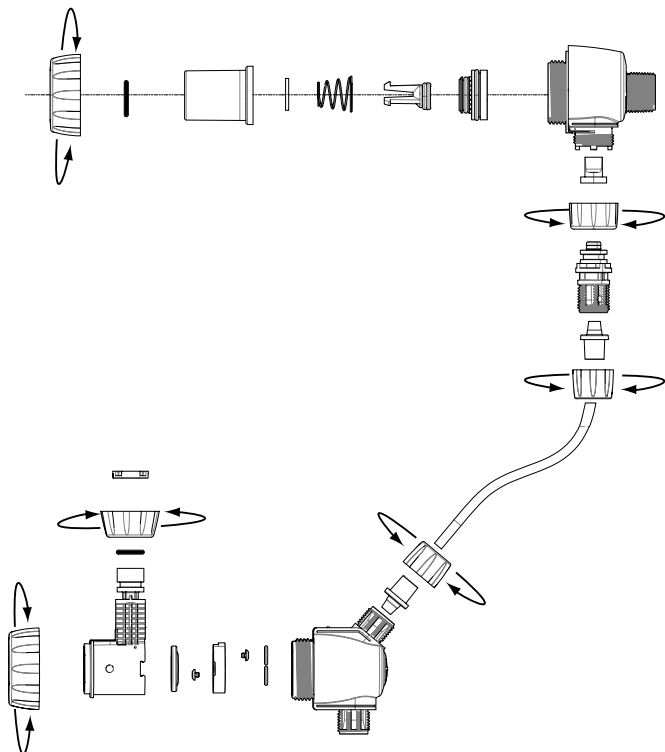
Fig. 30

CHANGING THE EXTERNAL INJECTION SEALS

If hard water is being used, descaling the external injection part is recommended; frequency to be confirmed on site.

Uncouple the nuts identified on the view below.

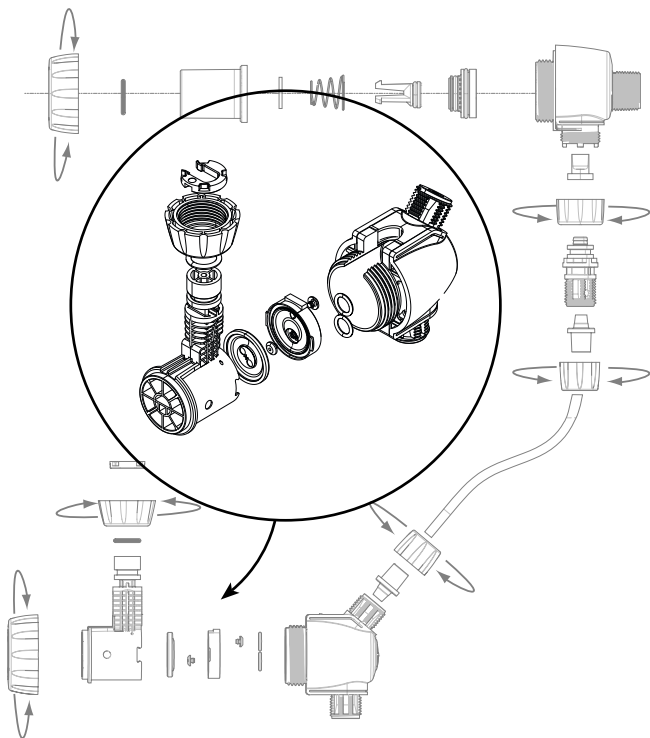
Replace the O-rings, duckbill valve, the complete membrane and seating of the umbrella valves (do not replace the umbrellas alone). Refit all the elements in reverse of the order for dismantling making sure that the direction for fitting the membrane and seat of the valve is observed (see perspective view)



Frequency: at least once per year.

IMPORTANT! Do not use tools or metal utensils.

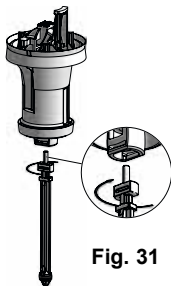
ADVICE: Before dismantling the dosing part, it is recommended that the DOSATRON is operated by aspirating clear water to rinse the injection system. This avoids any risk of contact with products that may be in the dosing part. Wear protective glasses and gloves during any work of this nature!



DISMANTLING/REFITTING THE DOSING PISTON

Before any maintenance on the DOSATRON, it is essential to refer to the § PRECAUTIONS. Before dismantling, and to avoid any contact with the products dosed, operate the DOSATRON by aspirating clear water to rinse the dosing part.

- Turn off the water inlet and let the pressure drop to zero. Open the dosing pump housing.
- Dismantle the dosing part, following the instructions in § DISMANTLING/REFITTING THE DOSING PART.
- Turn the dosing piston through a quarter turn anti-clockwise to unlock it and release it from the piston motor.
- Refit in the reverse order.



CLEANING AND REFITTING THE SUCTION VALVE

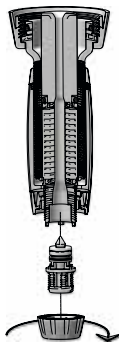
Before any maintenance on the DOSATRON, it is essential to refer to the § PRECAUTIONS. Before dismantling, and to avoid any contact with the products dosed, operate the DOSATRON by aspirating clear water to rinse the dosing part.

- Turn off the water inlet and let the pressure drop to zero. Open the dosing pump housing.
- Remove the suction hose (see § DISMANTLING THE SUCTION HOSE)
- Unscrew the suction valve locking nut (**Fig. 33-34**)
- Remove the suction valve by pulling it in the axis of the dosing part.
- Rinse the various parts of the valve using a large quantity of clear water.
- Refit in the reverse order.

Fig. 33



Fig. 34



CHANGING THE MOTOR PISTON (unpressurised)

Before any maintenance on the DOSATRON, it is essential to refer to the § PRECAUTIONS.

Before dismantling, and to avoid any contact with the products dosed, operate the DOSATRON by aspirating clear water to rinse the dosing part.

- Turn off the water inlet and let the pressure drop to zero. Open the dosing pump housing.
- Unscrew the top cap manually (**Fig. 35**) and remove it.
- Remove the motor piston assembly by pulling upwards.
- The rod and plunger piston follow the motor piston upwards.
- Change and refit the assembly in reverse of the order for dismantling.
- Refit the top cap taking care not to damage its seal and screw it manually.

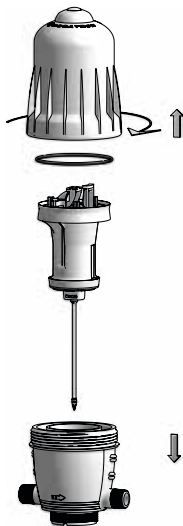


Fig. 35

Troubleshooting

SYMPTOM	CAUSE	SOLUTION
Motor piston		
DOSATRON does not start or stops.	Motor piston blocked.	Restart the motor piston by hand.
	Presence of air in the DOSATRON.	Bleed air by purging.
	Overflow.	1. Reduce flow, restart. 2. Check there are motor valve seals.
	Motor piston is broken.	Return the DOSATRON to your distributor.
Dosing		
Water flowing back into the product tank.	Suction valve or valve seal dirty, worn or absent.	To be cleaned or replaced.
No suction of product.	The motor piston has stopped working.	See Troubleshooting Motor piston.
	Air tightness problem in the suction hose.	Check the suction hose and the tightening of its nuts.
	Suction hose obstructed or strainer blocked.	Clean or replace them.
	Suction valve seal worn, wrongly fitted or clogged.	Clean it or replace it.
	Plunger seal wrongly fitted, clogged or swollen.	Clean it or replace it.
	Dosing pump body scratched.	Replace it.

SYMPTOM	CAUSE	SOLUTION
Dosing		
Under-dosing	Airtightness problem.	<ol style="list-style-type: none"> 1. Check the tightness of the dosing part nuts. 2. Check the condition of the suction hose.
	Suction valve seal worn or dirty.	Clean it or replace it.
	Overflow (cavitation)	Reduce flow
	Plunger seal worn	Replace it
	Dosing pump body scratched	Replace it
Leaks		
Leaks close to the fixing nut under the pump body.	Dosing body seal damaged, wrongly positioned or absent.	Position it correctly or replace it.
Leaks between the dosing adjustment sleeve and the dosing locking nut	Dosing pump body seal damaged, wrongly positioned or absent.	Position it correctly or replace it.
Leaks between the body and the top.	Top seal damaged, fitted incorrectly or absent	Position it correctly, clean the seal groove or replace it.

**DOSATRON INTERNATIONAL
DECLINES ALL RESPONSIBILITY IN THE EVENT OF USE
THAT IS NOT COMPLIANT WITH THE INSTRUCTIONS FOR
USE.**

Limited Warranty

DOSATRON INTERNATIONAL S.A.S. agrees to replace any part recognised to be defective originally for a period of twelve months from the date of purchase by the initial purchaser.

To obtain the replacement under the warranty, the appliance or spare part must be returned with proof of initial purchase to the manufacturer or authorized distributor.

It may be recognised as defective after examination by the technical services of the manufacturer or distributor.

The appliance must be rinsed to remove any chemicals and sent to the manufacturer or to the distributor with postage paid, then it will be returned free of charge after repair if it is covered by the warranty.

The purpose of operations carried out under the warranty may not be to extend the lifetime.

This warranty applies only to manufacturing defects.

This warranty does not cover defects found to be due to abnormal

installation of the appliance, inappropriate use of tools, lack of maintenance or defective installation or environmental accidents or corrosion by foreign bodies and liquids found within or in proximity to the appliance.

For the dosing of aggressive products, please consult your vendor before any use to confirm compatibility with the dosing pump.

The seals (wearing parts) are not covered under warranty, nor is damage caused by water impurities such as sand.

A filter (e.g. 130 microns - 120 mesh depending on your water quality) must be installed upstream of the appliance to be valid.

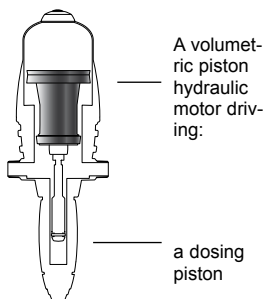
DOSATRON INTERNATIONAL S.A.S. declines any responsibility if the appliance is not used in compliance with the recommendations and tolerances in the owner's manual.

There is no explicit or implicit guarantee relating to other products or accessories used with DOSATRON INTERNATIONAL S.A.S appliances.

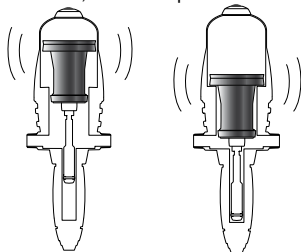
KNOW YOUR FLOW

A SIMPLE METHOD

THE DOSATRON IS COMPOSED OF:



In its backwards and forwards movement, the motor piston **clacks**:



2 clacks = 1 motor cycle
cycle = 1 motor capacity



Once in the top position

Once in the bottom position

The speed of the motor is proportional to the flow of water passing through the appliance.

■ Calculation of water flow in litres/hour =

$$\frac{\text{Number of clacks in 15 seconds}}{2} \times 4 \times 60 \times 0.53 \times 10$$

Calculation for 1 minute (points to 4)
Calculation for 1 hour (points to 60)
Motor capacity in litres (points to 0.53)
Division factor (points to 10)
 2 clacks = 1 cycle (points to 2)

■ Calculation of water flow in gallons/minute =

$$\frac{\text{Number of clacks in 15 seconds}}{2} \times 4 \times 0.53 \times 3.8 \times 10$$

Calculation for 1 minute (points to 4)
Motor capacity in litres (points to 0.53)
Conversion litres to gallons (points to 3.8)
Division factor (points to 10)
 2 clacks = 1 cycle (points to 2)

NOTE: This method of calculation cannot replace a flow meter. It is given only as an approximate guide.

NOTES

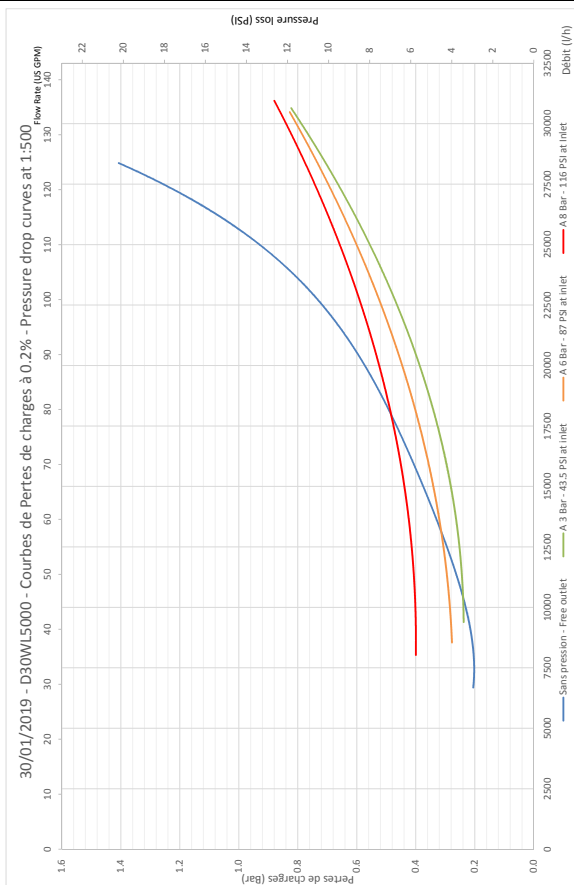
A series of 25 horizontal dotted lines for writing notes.

Annexes

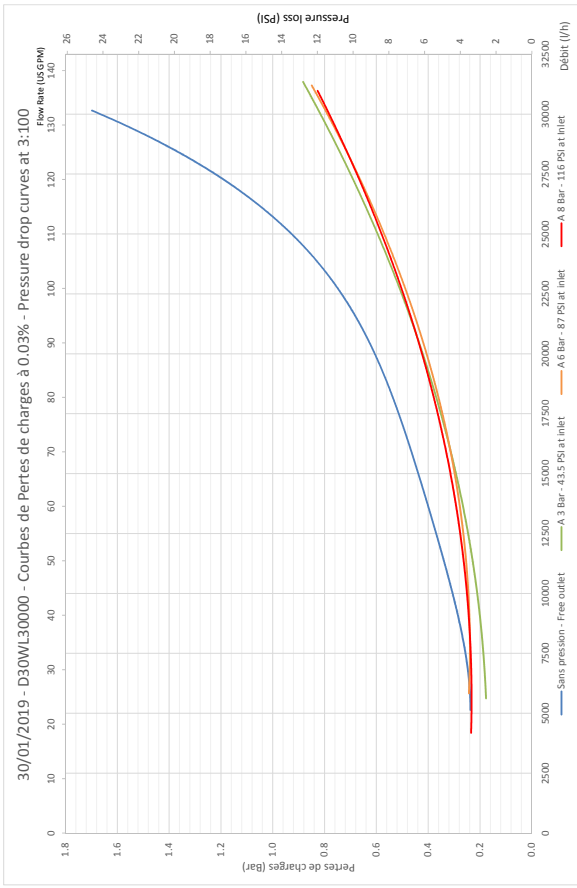
Curves

Pressure losses

D30WL5000

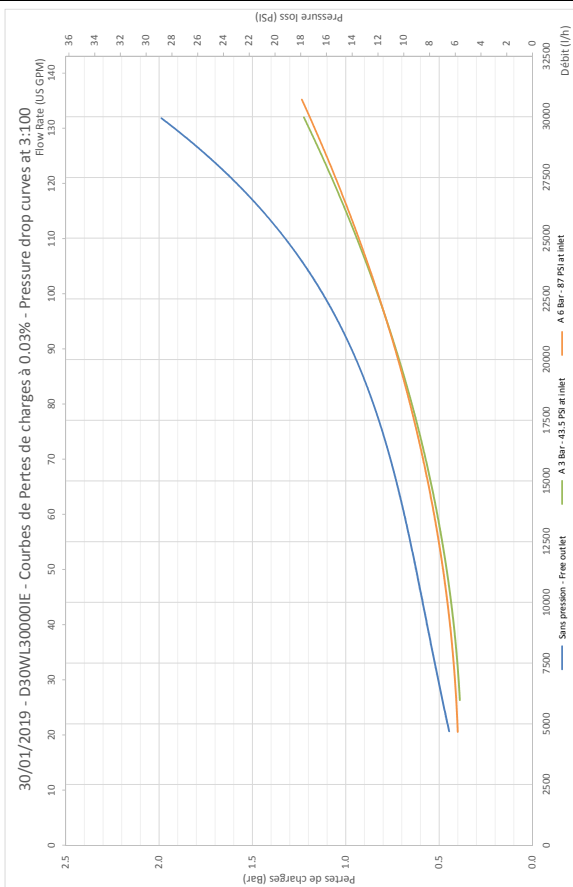


D30WL30000



Pressure losses

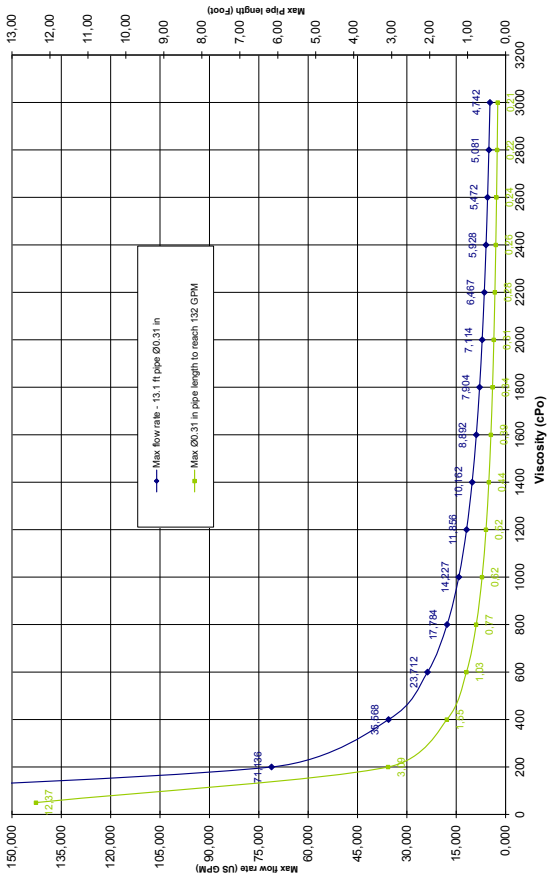
D30WL30000IE



Viscosity limit

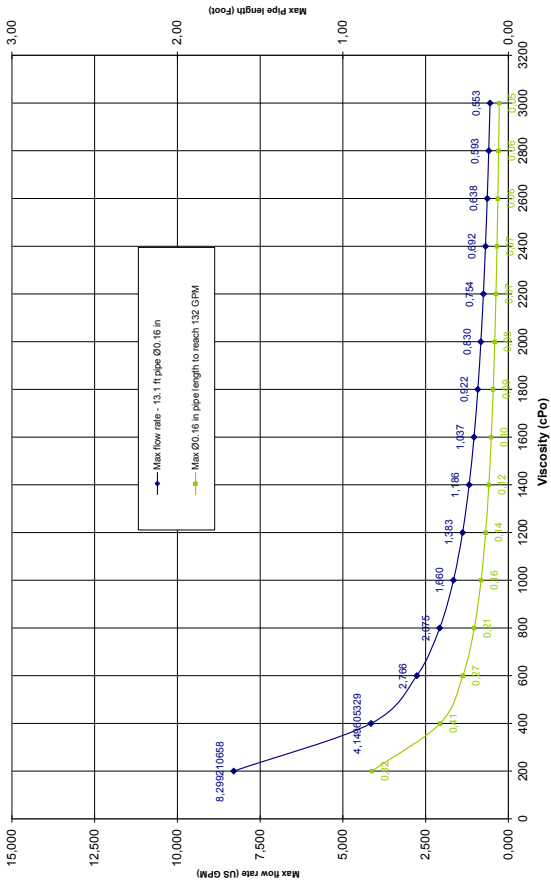
D30WL5000

Viscosity limits - D30WL5000 - Inner diameter pipe \varnothing 0,31 in



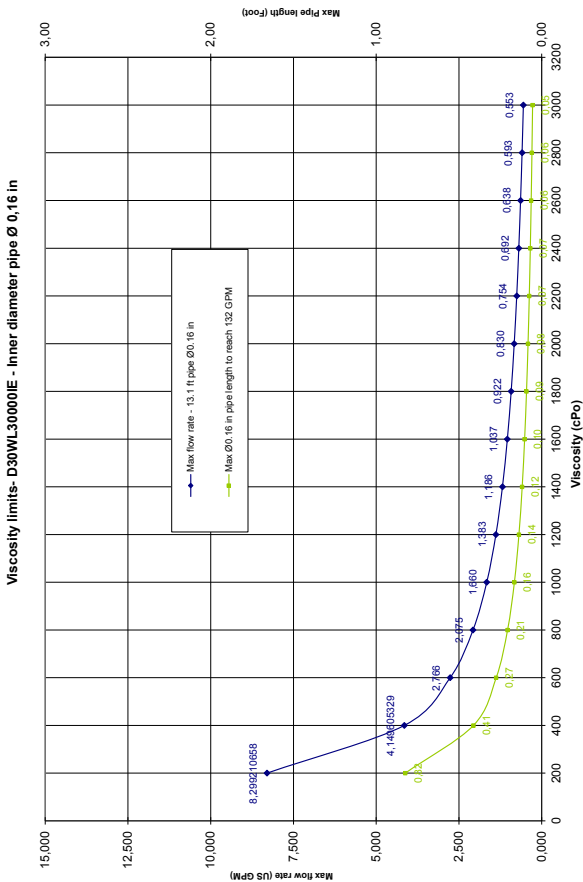
D30WL30000

Viscosity limits- D30WL30000 - Inner diameter pipe \varnothing 0,16 in



Viscosity limit

D30WL30000IE



This document does not form a contractual obligation and is provided for information only. DOSATRON INTERNATIONAL reserves the right to alter its appliances at any time.

CE Conformity Statement

Document N° DOCE06050103

This Dosatron is in compliance with the European Directive 2006/42/CE. This declaration is only valid for countries of the European Community (CE).