



# DOSATRON®

WATER POWERED DOSING TECHNOLOGY



## D25RE09VFBPHY - 11 GPM INTERACTIVE SCHEMATICS

### UNIT SPECIFICATIONS

- 1:1000 - 1:112
- 4.3 - 85 PSI
- 3/4" NPT Connection

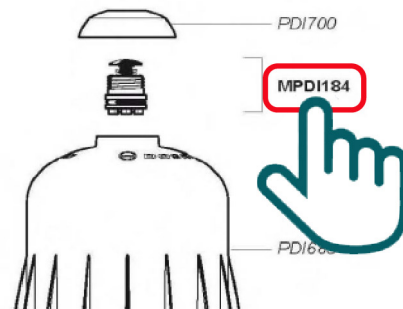
### SUGGESTED INSTALLATION

- 200 mesh/80 micron water filter prior to the unit
- One-way check valve down-stream from the unit for water hammer protection

### SUGGESTED MAINTENANCE

- Mini-Maintenance Kit  
Part #: [PJ127MINI-H](#)  
For regular maintenance
- Injection Seal Kit  
Part #: [PJ127](#)  
For yearly maintenance

### DOCUMENT INSTRUCTIONS

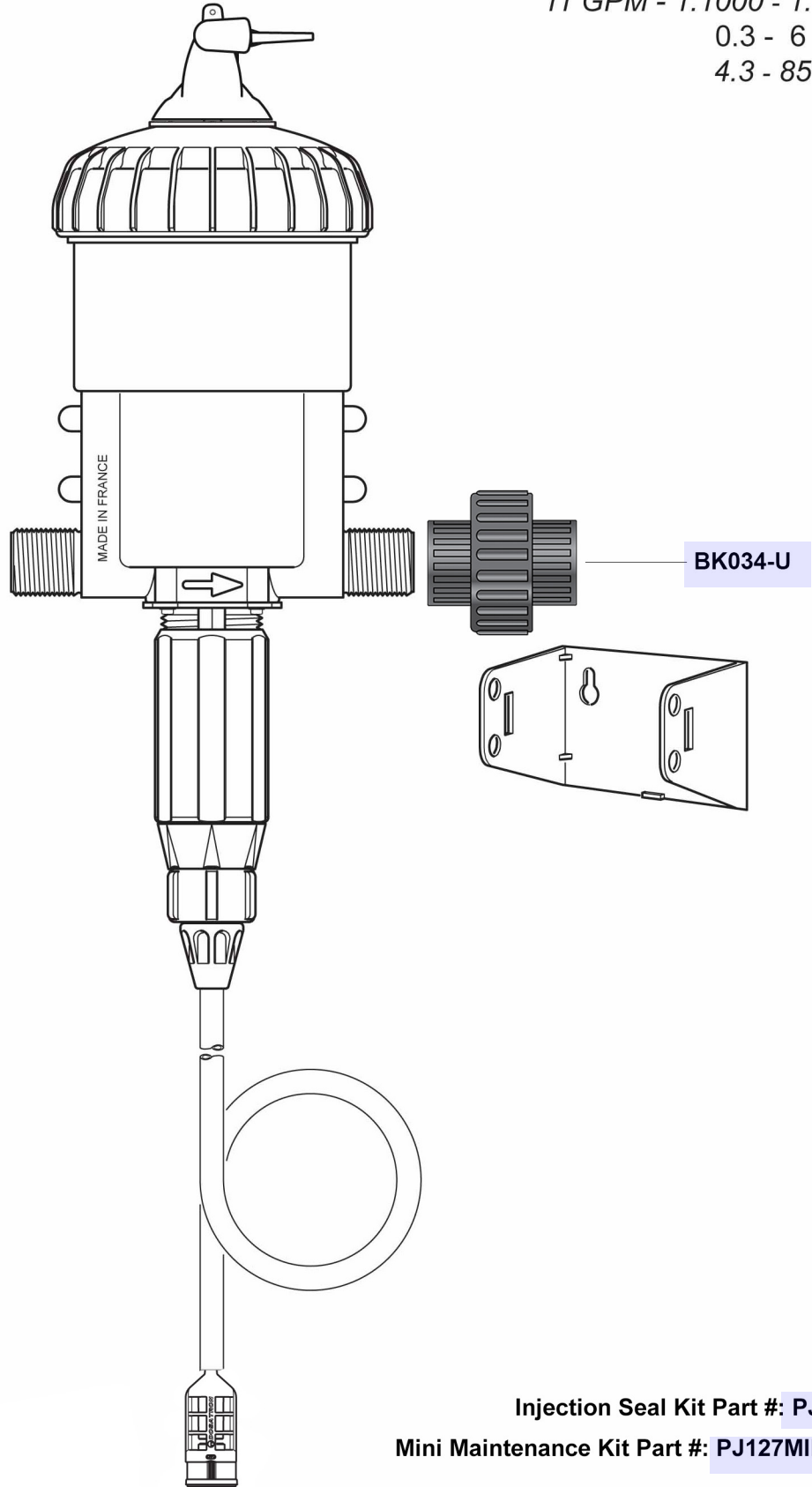


- Click on a part #, to visit item page
- Click arrow back from item page, to return to this document



# D25RE09VFBPHY

2.5 m<sup>3</sup>/h - 0.1 - 0.9%  
11 GPM - 1:1000 - 1:111  
0.3 - 6 bar  
4.3 - 85 psi



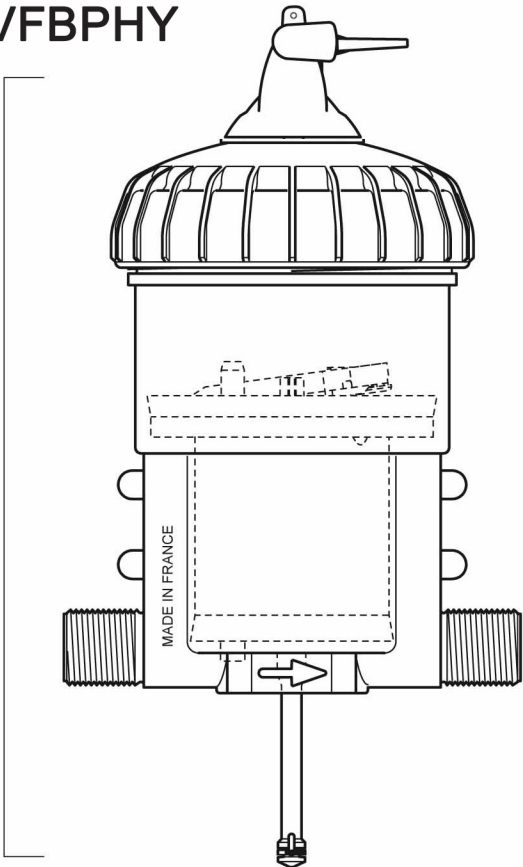
Injection Seal Kit Part #: PJ127

Mini Maintenance Kit Part #: PJ127MINI-H

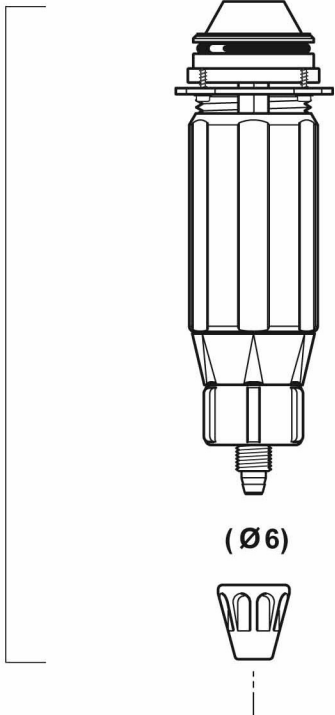
# D25RE09VFBPHY

2.5 m<sup>3</sup>/h - 0.1 - 0.9%  
11 GPM - 1:1000 - 1:111  
0.3 - 6 bar  
4.3 - 85 psi

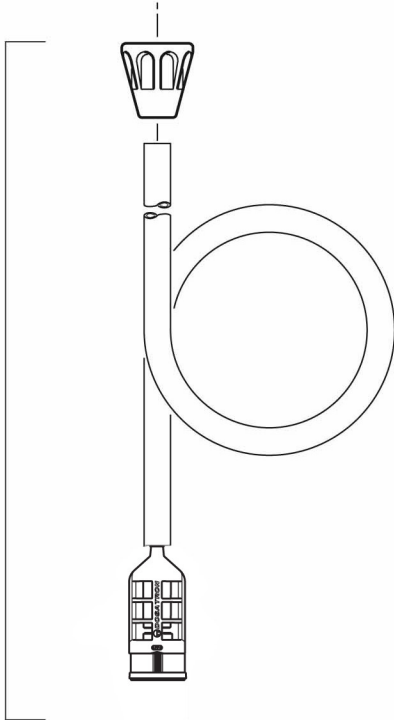
**C+M**



**D**

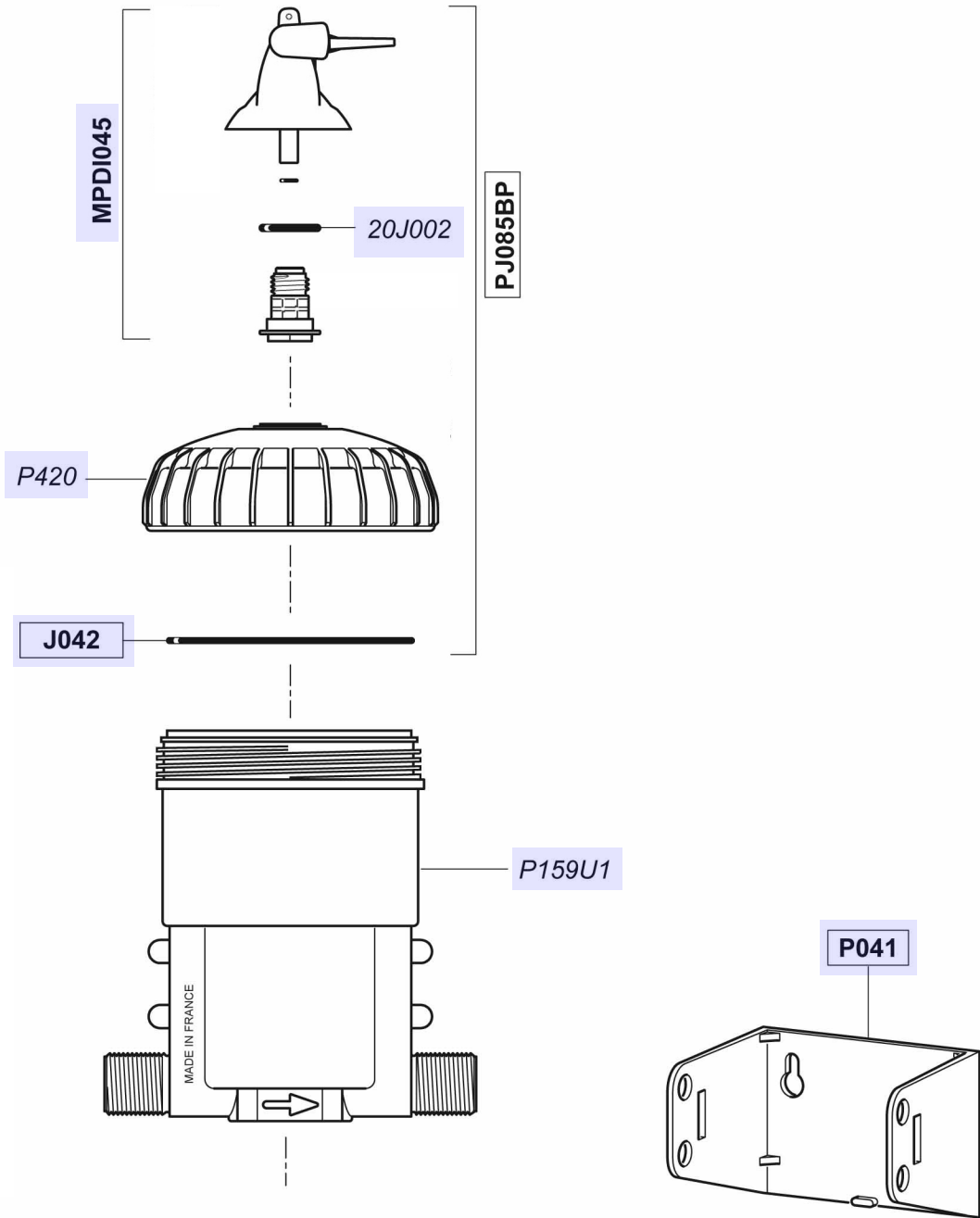


**A**



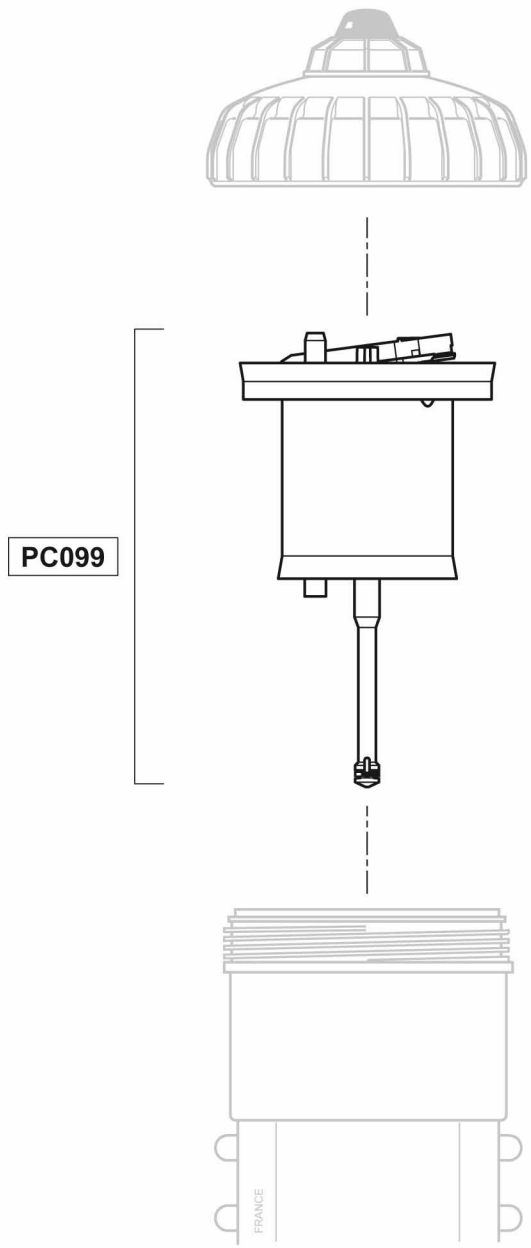
# D25RE09VFBPHY

2.5 m<sup>3</sup>/h - 0.1 - 0.9%  
11 GPM - 1:1000 - 1:111  
0.3 - 6 bar  
4.3 - 85 psi



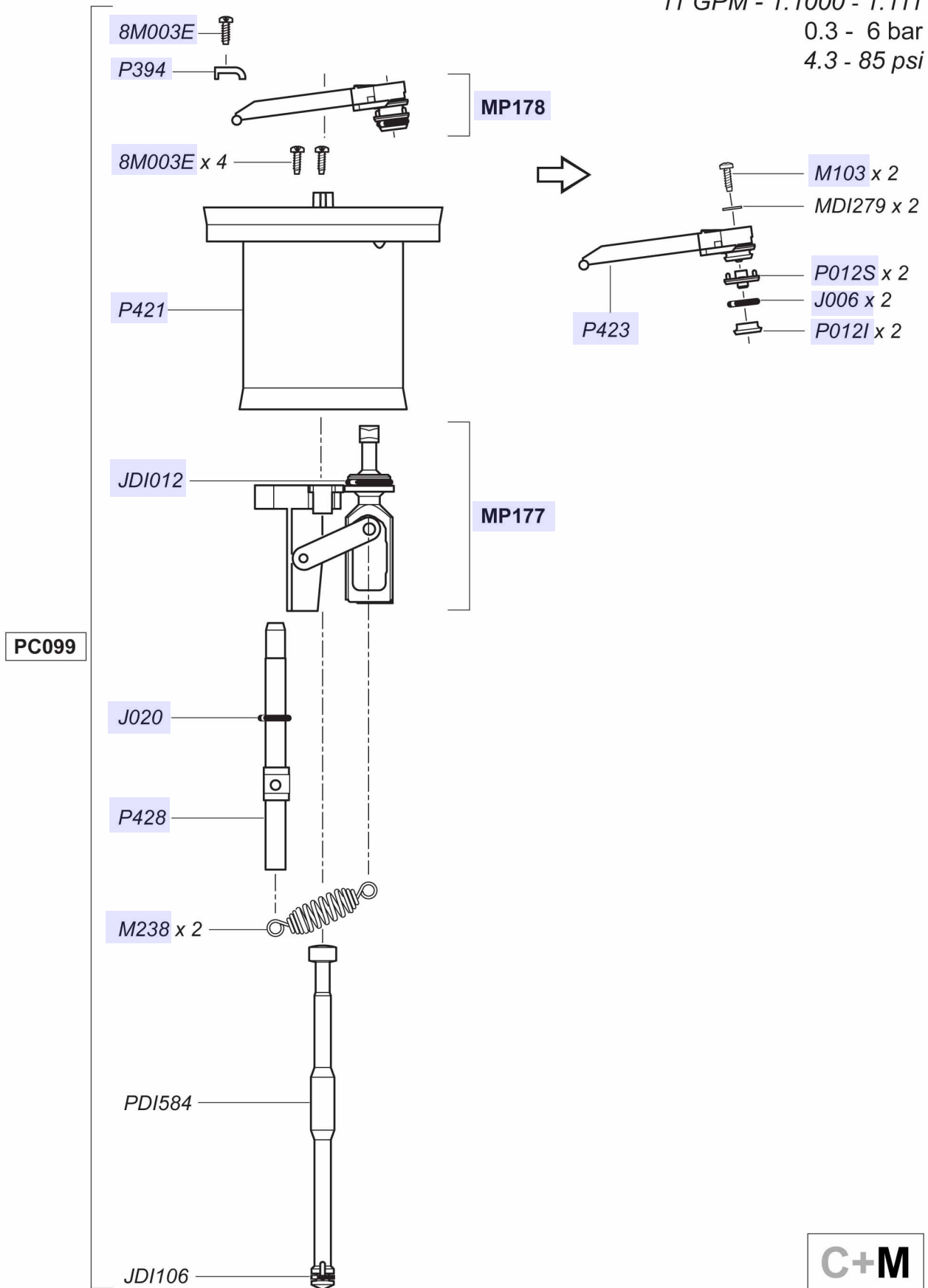
# D25RE09VFBPHY

2.5 m<sup>3</sup>/h - 0.1 - 0.9%  
11 GPM - 1:1000 - 1:111  
0.3 - 6 bar  
4.3 - 85 psi



# D25RE09VFBPHY

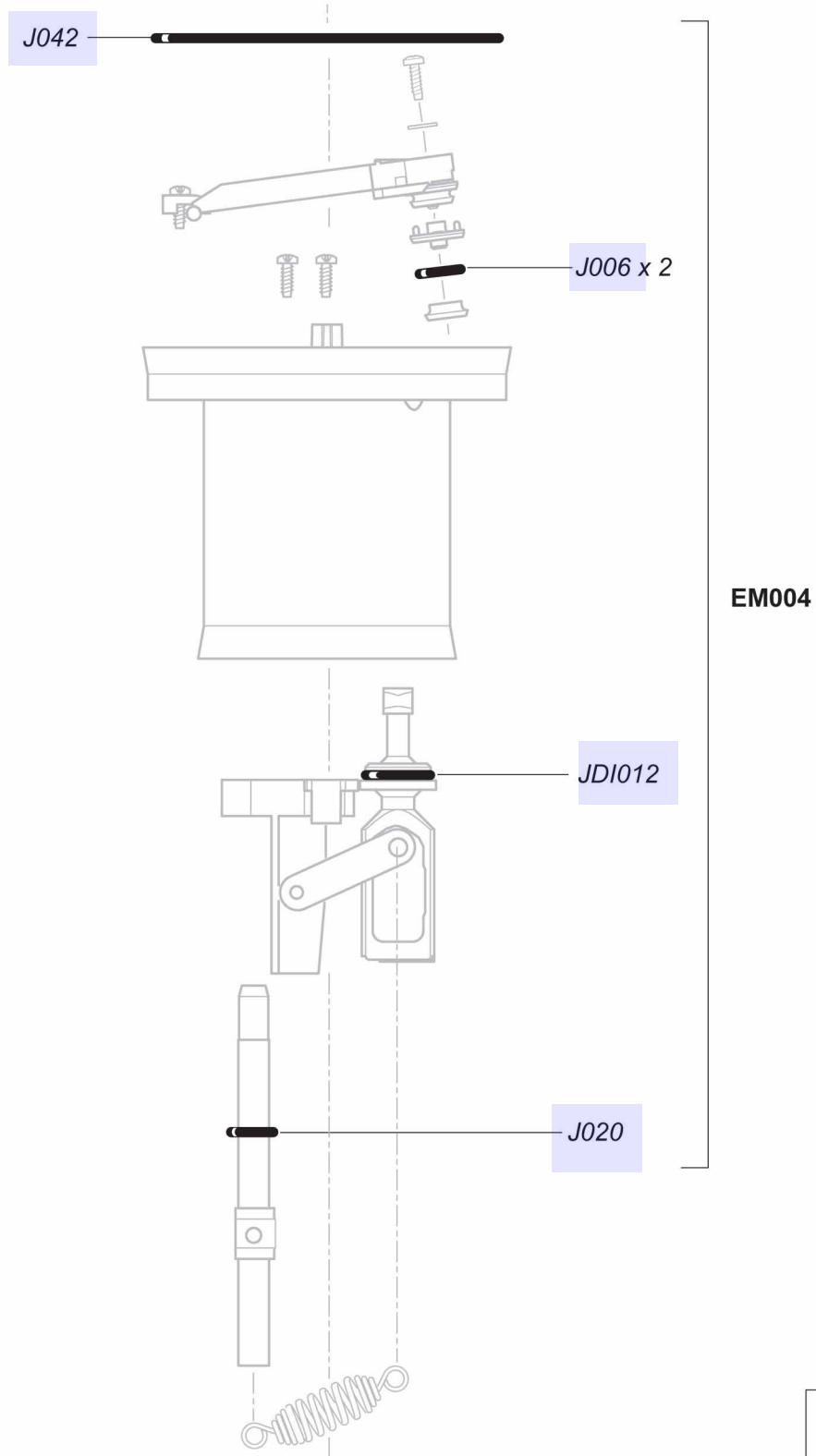
2.5 m<sup>3</sup>/h - 0.1 - 0.9%  
11 GPM - 1:1000 - 1:111  
0.3 - 6 bar  
4.3 - 85 psi



**C+M**

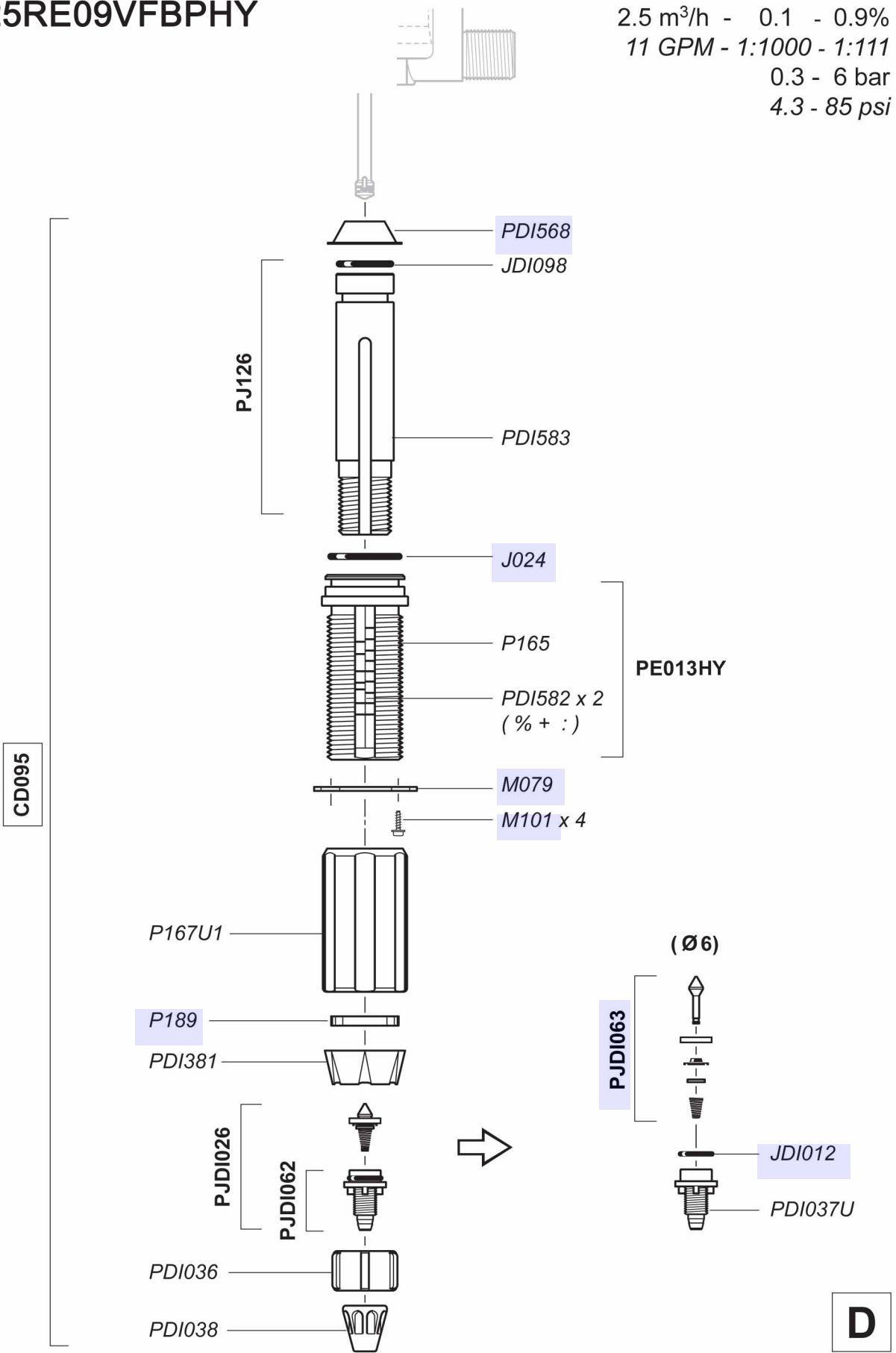
2.5 m<sup>3</sup>/h - 0.1 - 0.9%  
11 GPM - 1:1000 - 1:111  
0.3 - 6 bar  
4.3 - 85 psi

# D25RE09VFBPHY



# D25RE09VFBPHY

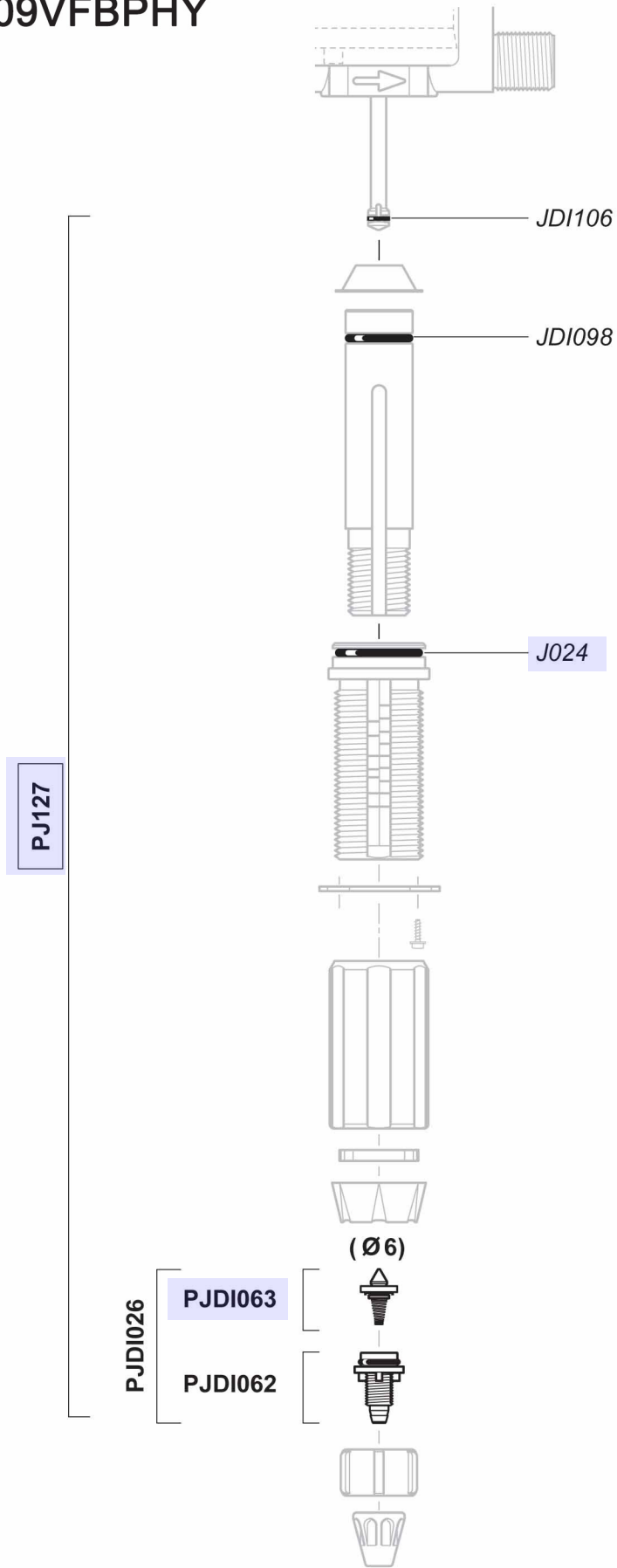
2.5 m<sup>3</sup>/h - 0.1 - 0.9%  
 11 GPM - 1:1000 - 1:111  
 0.3 - 6 bar  
 4.3 - 85 psi





# D25RE09VFBPHY

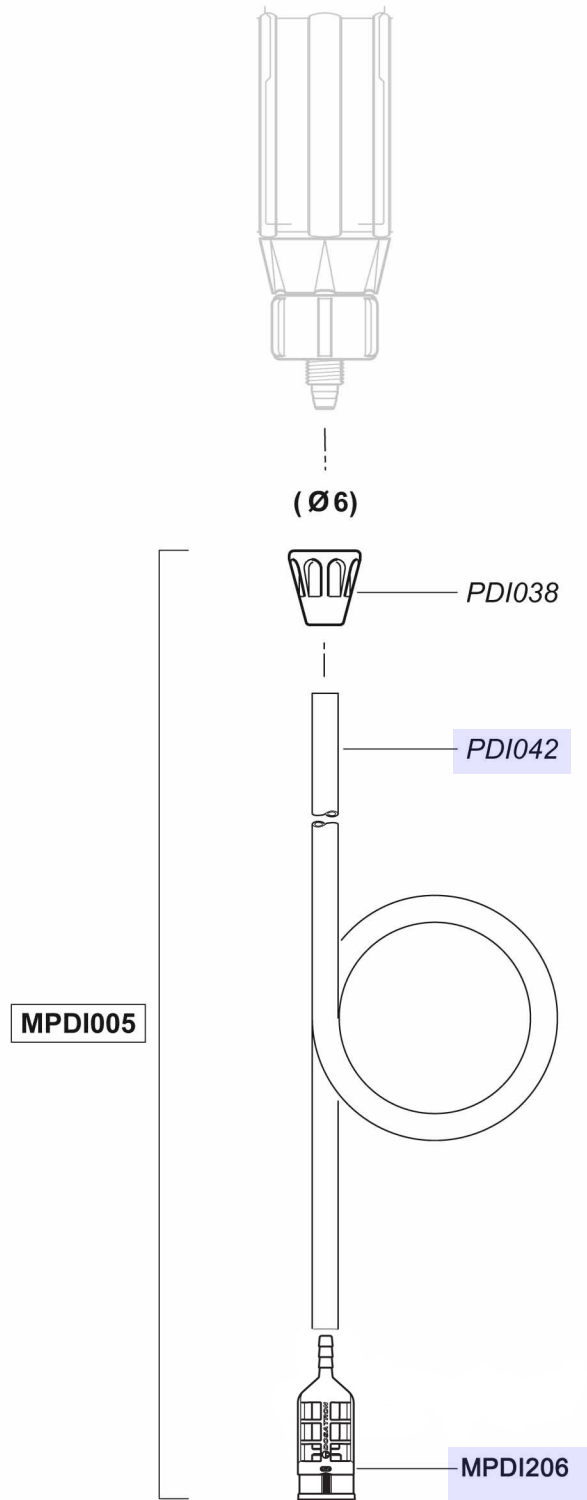
2.5 m<sup>3</sup>/h - 0.1 - 0.9%  
11 GPM - 1:1000 - 1:111  
0.3 - 6 bar  
4.3 - 85 psi



**D**

# D25RE09VFBPHY

2.5 m<sup>3</sup>/h - 0.1 - 0.9%  
11 GPM - 1:1000 - 1:111  
0.3 - 6 bar  
4.3 - 85 psi



**A**