



DOSATRON®

WATER POWERED DOSING TECHNOLOGY



D40WL3000NIEAF - 40 GPM INTERACTIVE SCHEMATICS

UNIT SPECIFICATIONS

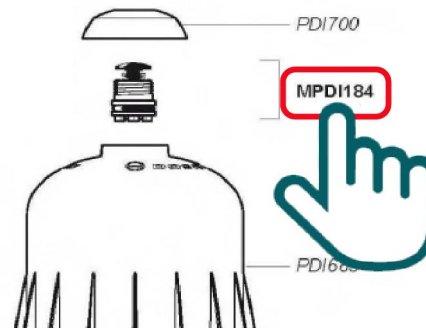
- 1:3000 - 1:800
- 5 - 116 PSI
- 1 1/2" NPT Connection

SUGGESTED INSTALLATION

- 200 mesh/80 micron water filter prior to the unit
- One-way check valve down-stream from the unit for water hammer protection

DOCUMENT INSTRUCTIONS

- Click on a part #, to visit item page
- Click arrow back from item page, to return to this document



D40WL3000NIEAF



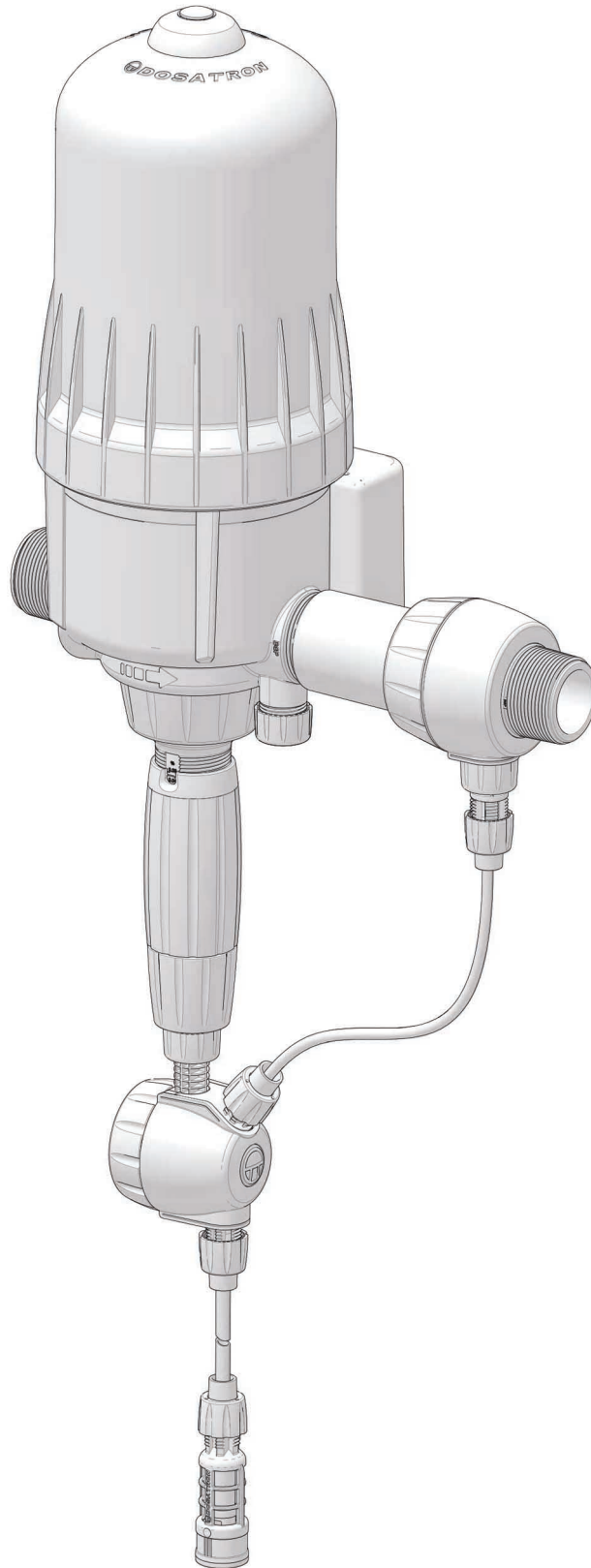
Certified to
NSF/ANSI 61 & 372

40 GPM - 1:3000 - 1:800

8 m³/h - 0.03 - 0.125%

0.35 - 8 bar

5 - 116 psi



D40WL3000NIEAF



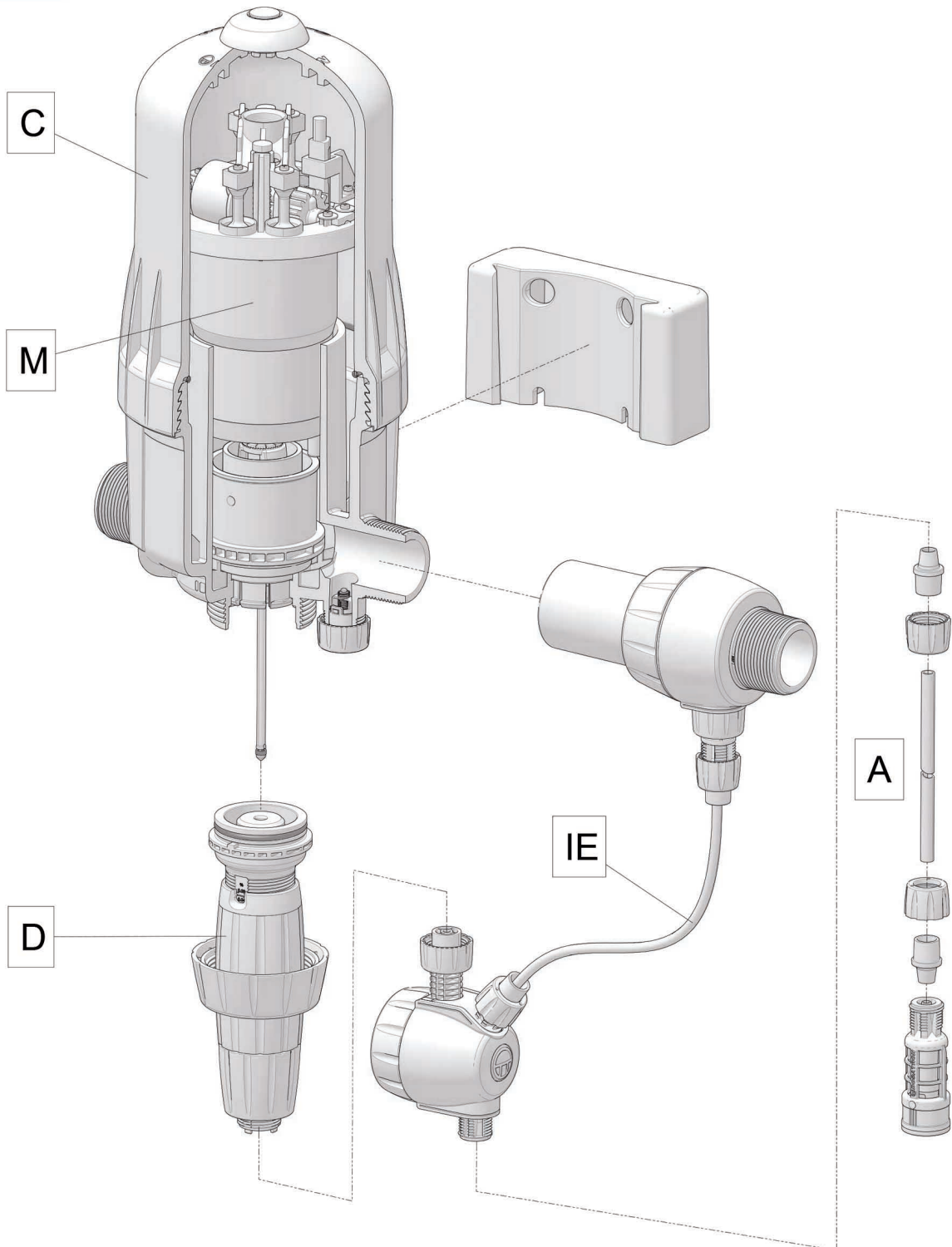
Certified to
NSF/ANSI 61 & 372

40 GPM - 1:3000 - 1:800

8 m³/h - 0.03 - 0.125%

0.35 - 8 bar

5 - 116 psi

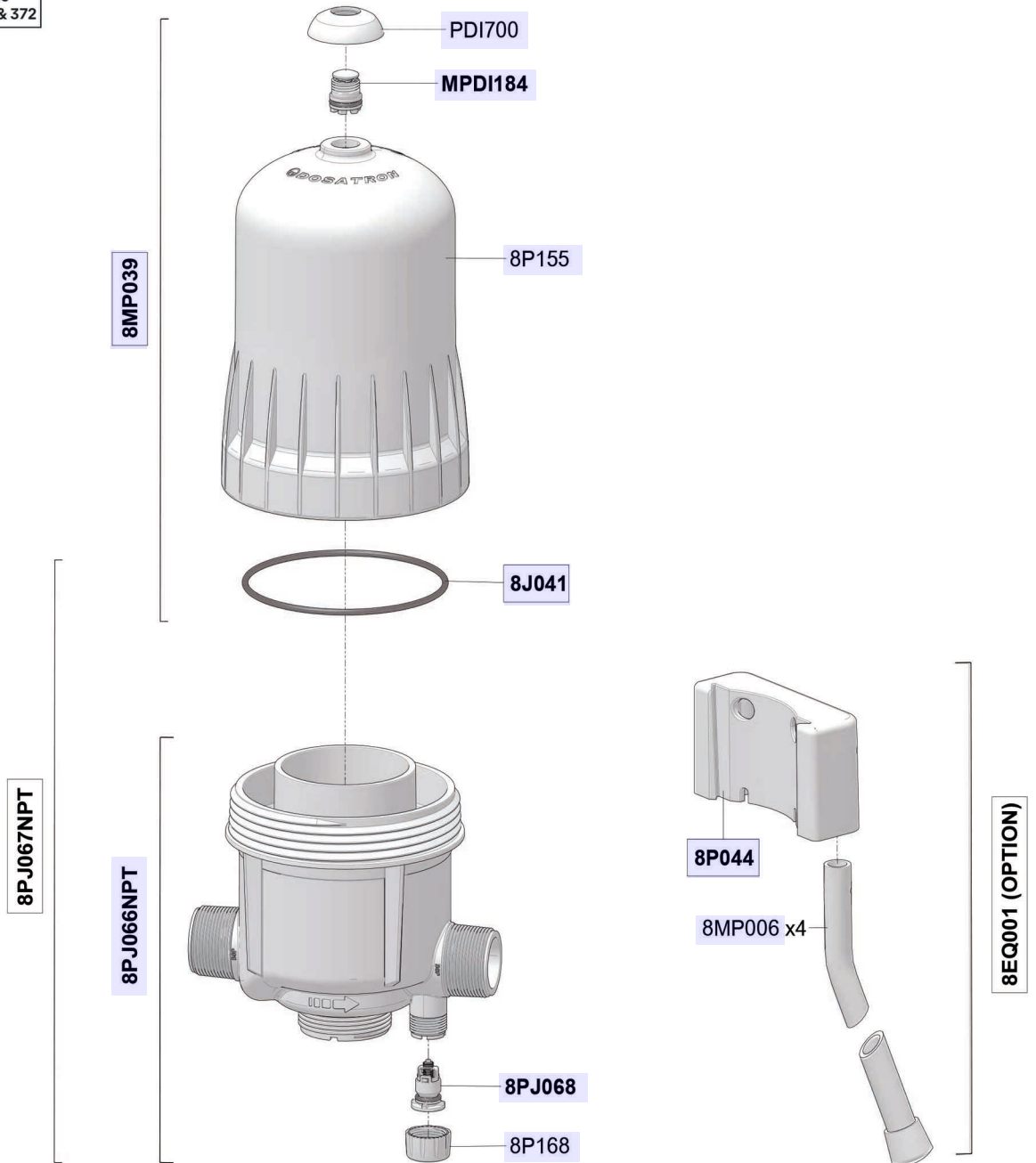


D40WL3000NIEAF



Certified to
NSF/ANSI 61 & 372

40 GPM - 1:3000 - 1:800
8 m³/h - 0.03 - 0.125%
0.35 - 8 bar
5 - 116 psi



D40WL3000NIEAF



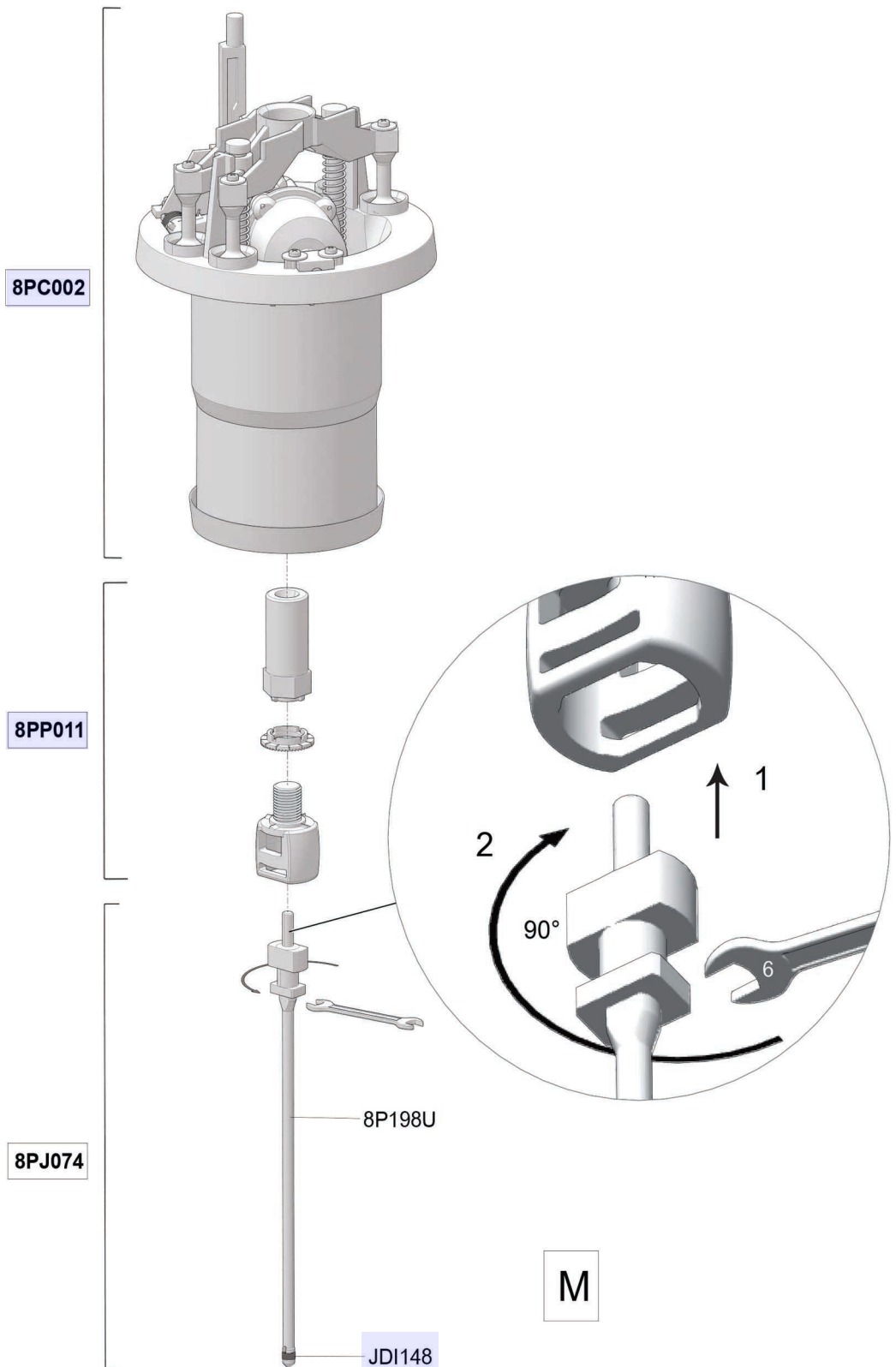
Certified to
NSF/ANSI 61 & 372

40 GPM - 1:3000 - 1:800

8 m³/h - 0.03 - 0.125%

0.35 - 8 bar

5 - 116 psi



D40WL3000NIEAF

40 GPM - 1:3000 - 1:800

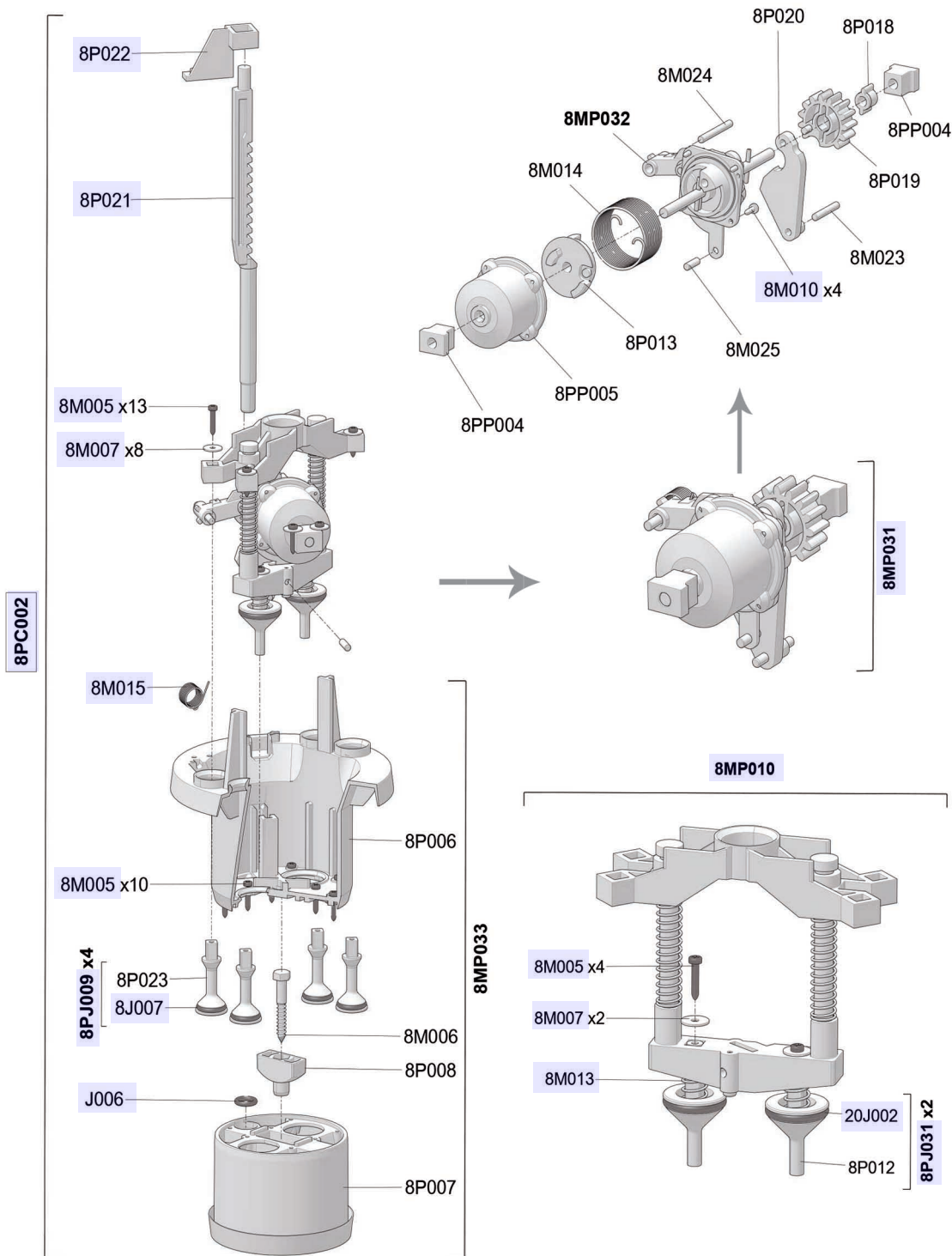
8 m³/h - 0.03 - 0.125%

0.35 - 8 bar

5 - 116 psi



Certified to
NSF/ANSI 61 & 372



D40WL3000NIEAF



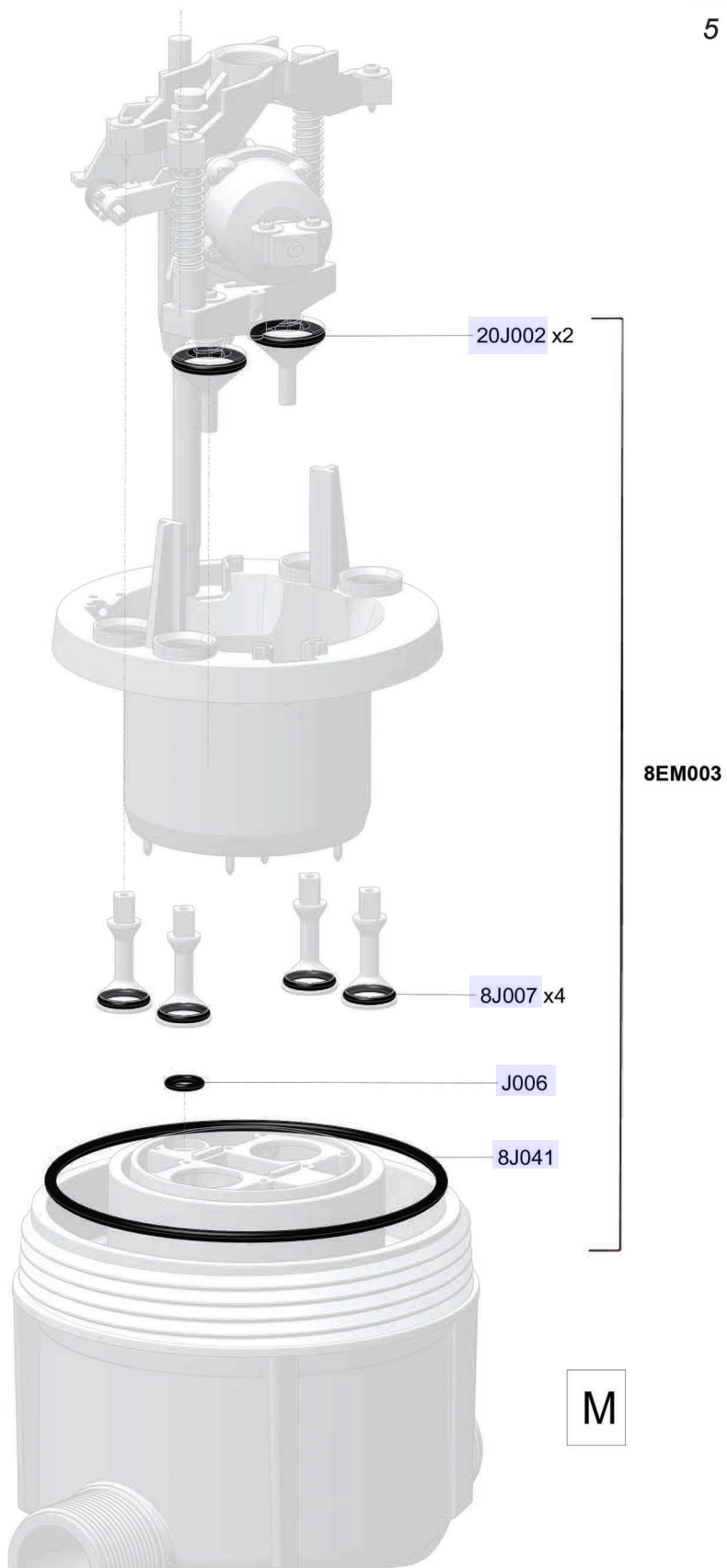
Certified to
NSF/ANSI 61 & 372

40 GPM - 1:3000 - 1:800

8 m³/h - 0.03 - 0.125%

0.35 - 8 bar

5 - 116 psi



D40WL3000NIEAF



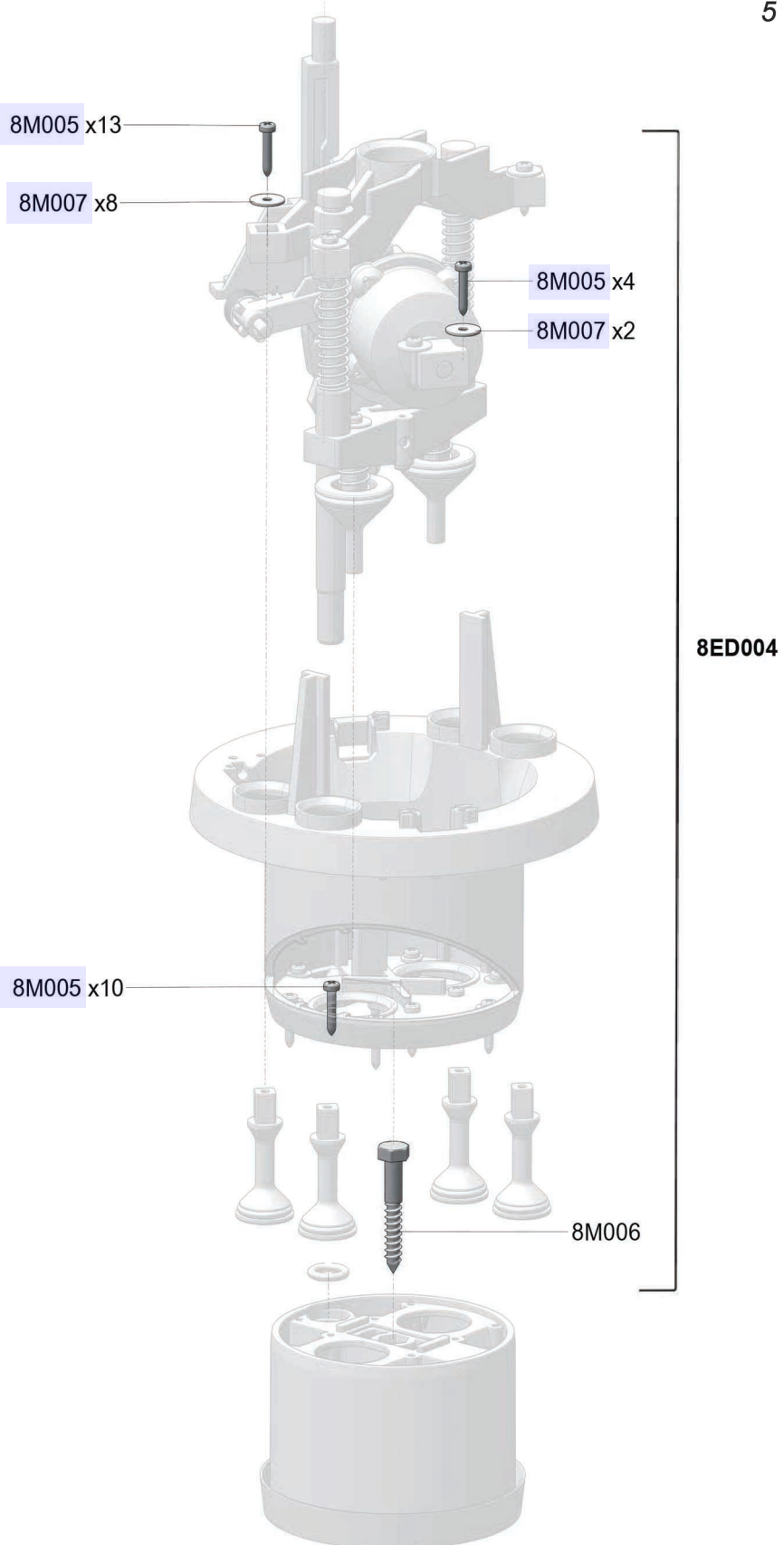
Certified to
NSF/ANSI 61 & 372

40 GPM - 1:3000 - 1:800

8 m³/h - 0.03 - 0.125%

0.35 - 8 bar

5 - 116 psi



M

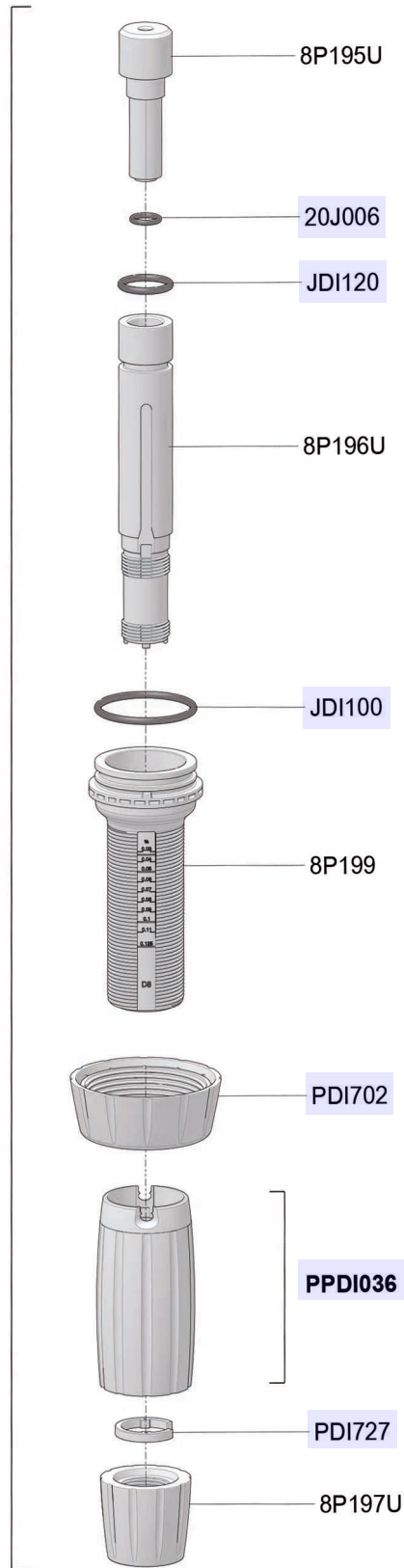
D40WL3000NIEAF



Certified to NSF/ANSI 61 & 372

40 GPM - 1:3000 - 1:800
8 m³/h - 0.03 - 0.125%
0.35 - 8 bar
5 - 116 psi

8CD036



D

D40WL3000NIEAF



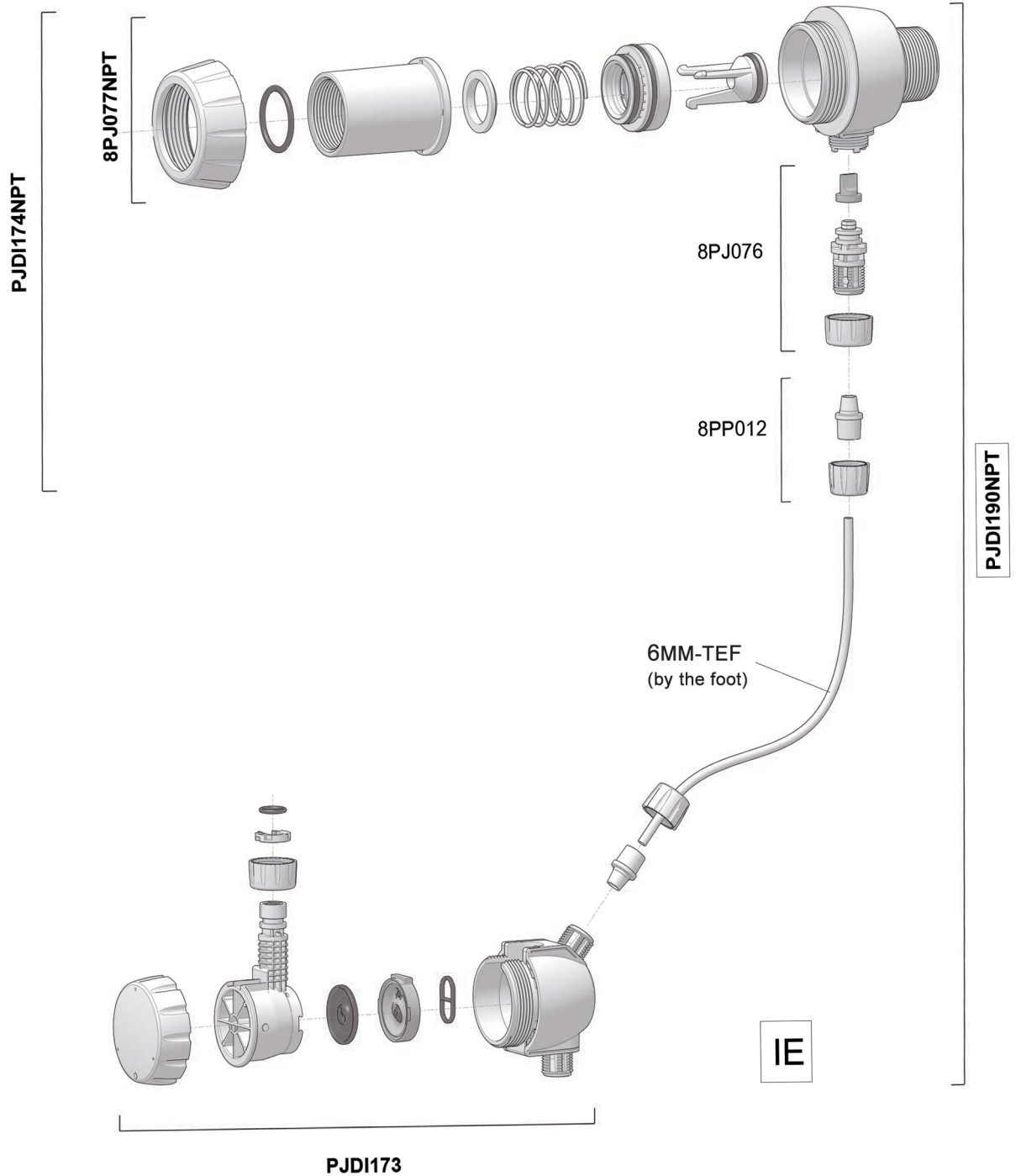
Certified to
NSF/ANSI 61 & 372

40 GPM - 1:3000 - 1:800

8 m³/h - 0.03 - 0.125%

0.35 - 8 bar

5 - 116 psi



D40WL3000NIEAF



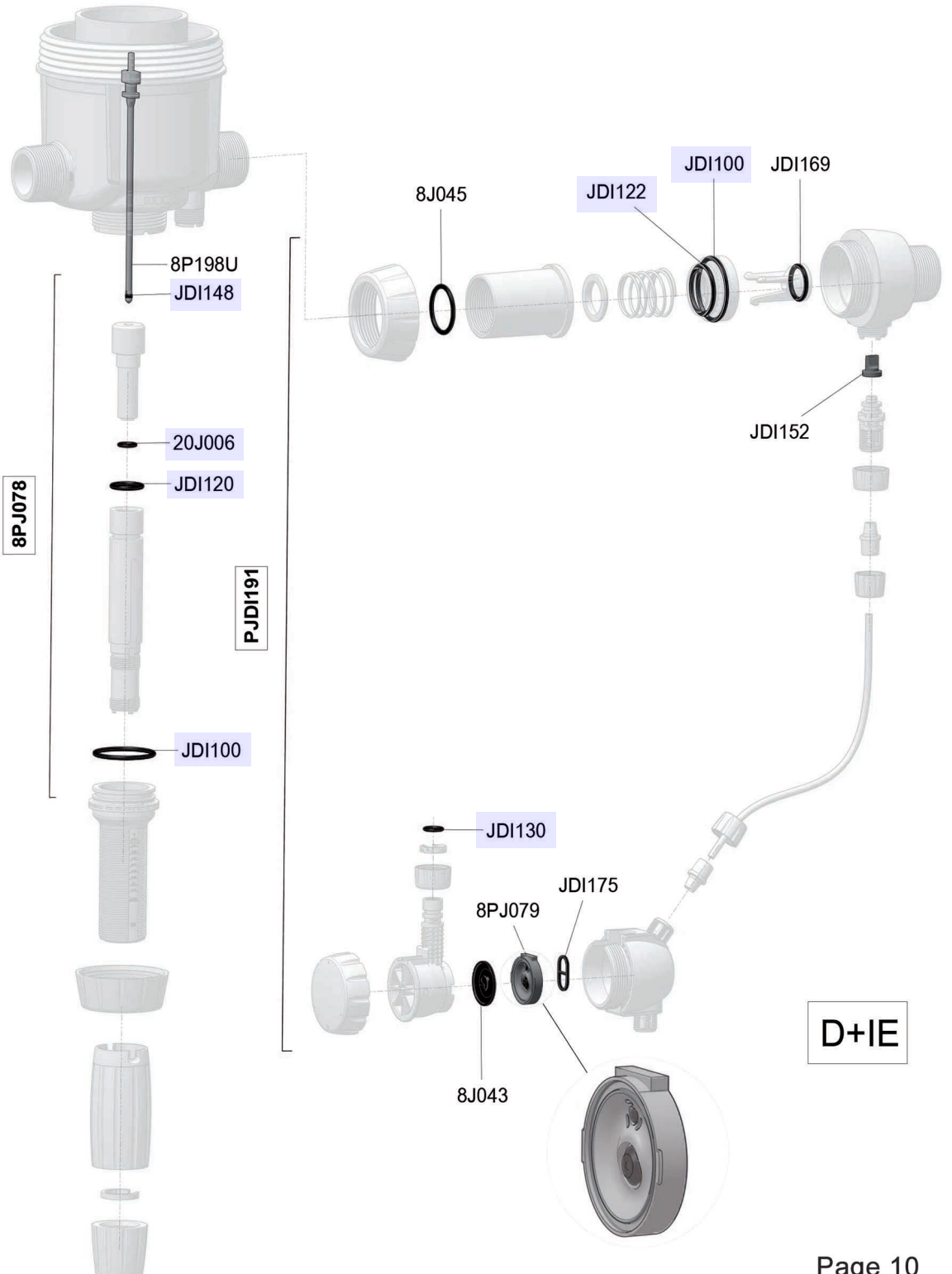
Certified to
NSF/ANSI 61 & 372

40 GPM - 1:3000 - 1:800

8 m³/h - 0.03 - 0.125%

0.35 - 8 bar

5 - 116 psi



D40WL3000NIEAF



Certified to
NSF/ANSI 61 & 372

40 GPM - 1:3000 - 1:800

8 m³/h - 0.03 - 0.125%

0.35 - 8 bar

5 - 116 psi

