



DOSATRON®

WATER POWERED DOSING TECHNOLOGY



D14MZ2 - 14 GPM INTERACTIVE SCHEMATICS

UNIT SPECIFICATIONS

- 1:500 - 1:50
- 4.3 - 85 PSI
- 3/4" NPT Connection

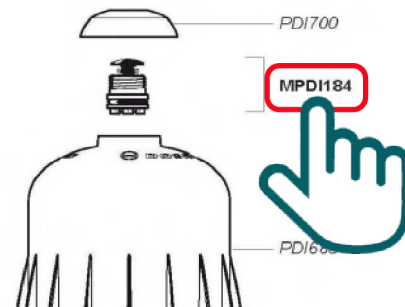
SUGGESTED INSTALLATION

- 200 mesh/80 micron water filter prior to the unit
- One-way check valve down-stream from the unit for water hammer protection

SUGGESTED MAINTENANCE

- Mini-Maintenance Kit
Part #: [PJDI116MINI-H](#)
For regular maintenance
- Injection Seal Kit
Part #: [PJDI116](#)
For yearly maintenance
- Rebuild Kit
Part #: [MKD14MZ2](#)
Extends the life of your unit
- Piston Flange Kit
Part #: [PPDI034](#)

DOCUMENT INSTRUCTIONS

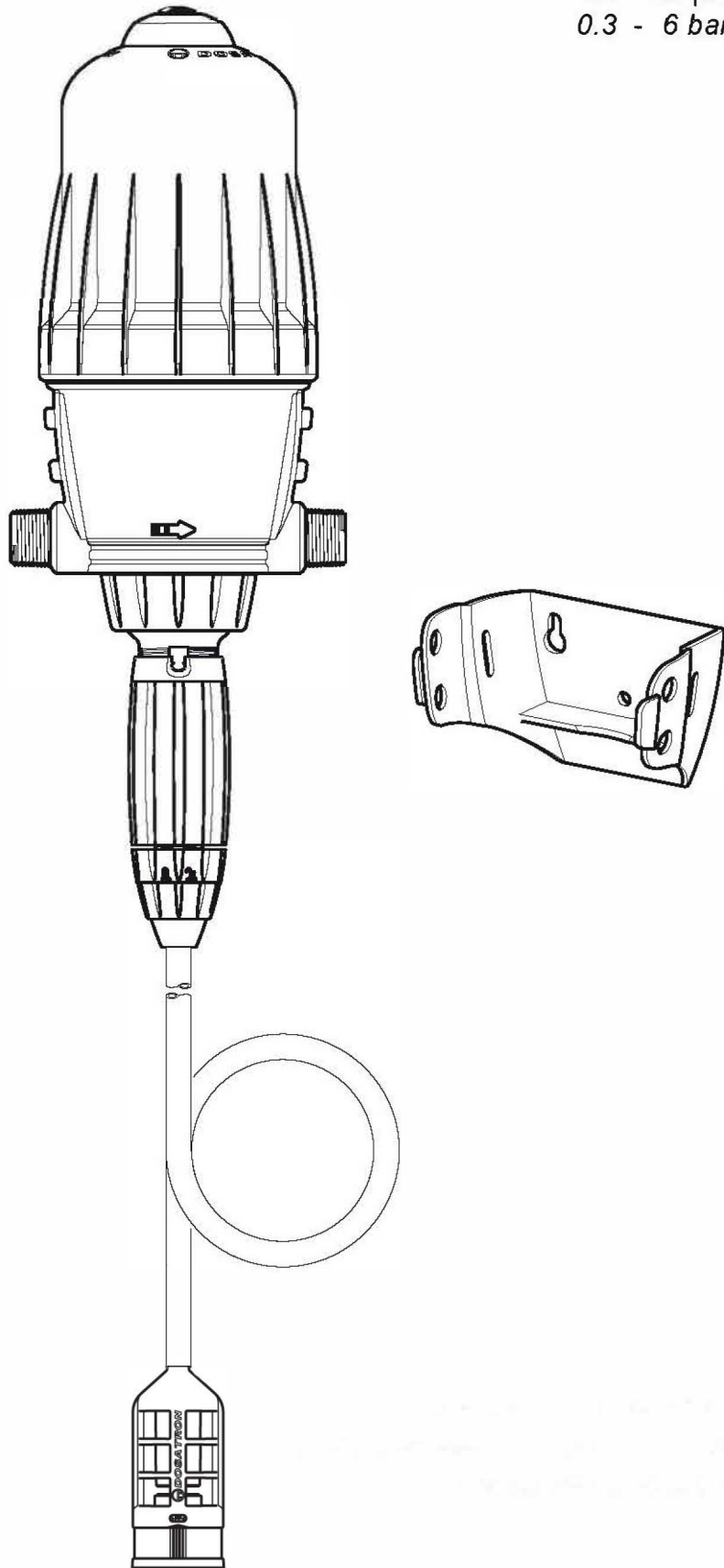


- Click on a part #, to visit item page
- Click arrow back from item page, to return to this document



D14MZ2

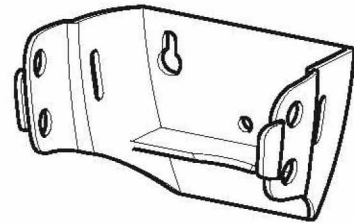
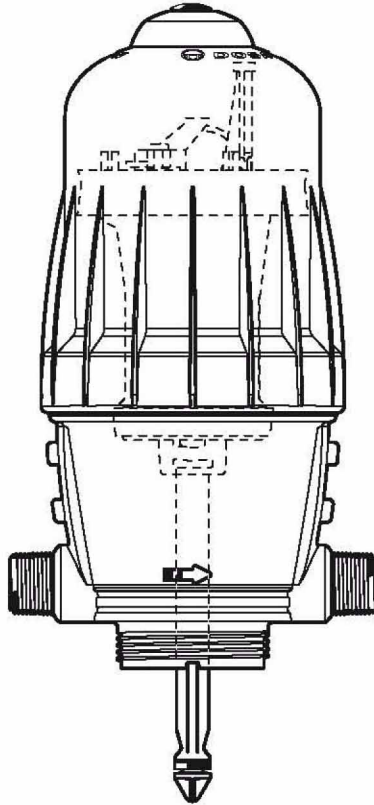
14 GPM - 1:500 - 1:50
3 m³/h - 0.2 - 2 %
4.3 - 85 psi
0.3 - 6 bar



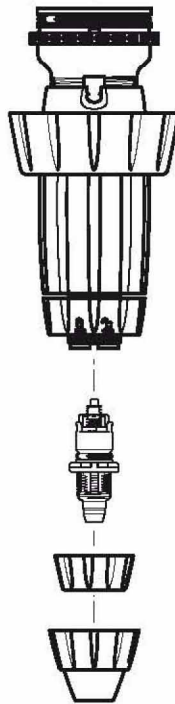
D14MZ2

14 GPM - 1:500 - 1:50
3 m³/h - 0.2 - 2 %
4.3 - 85 psi
0.3 - 6 bar

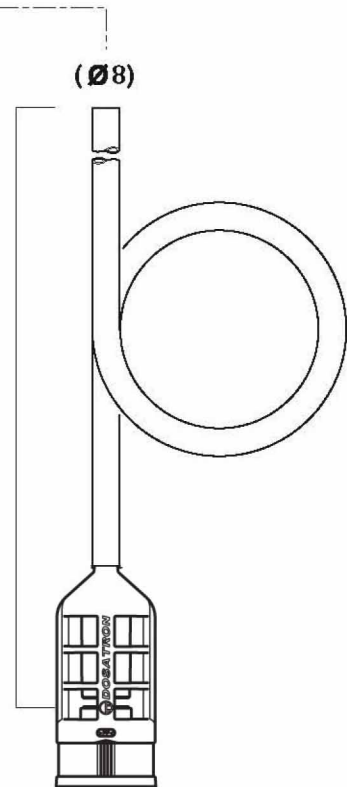
C+M



D

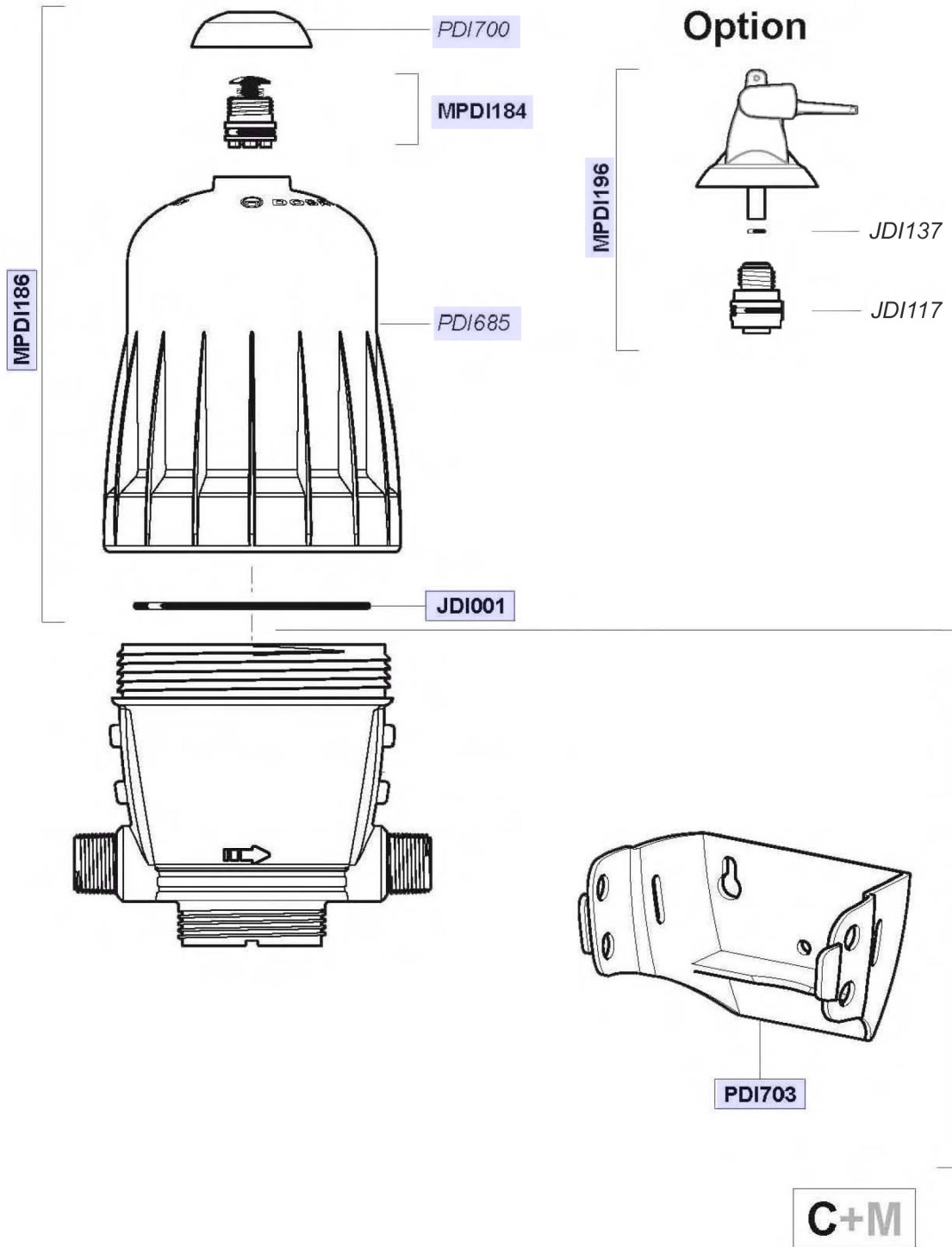


A



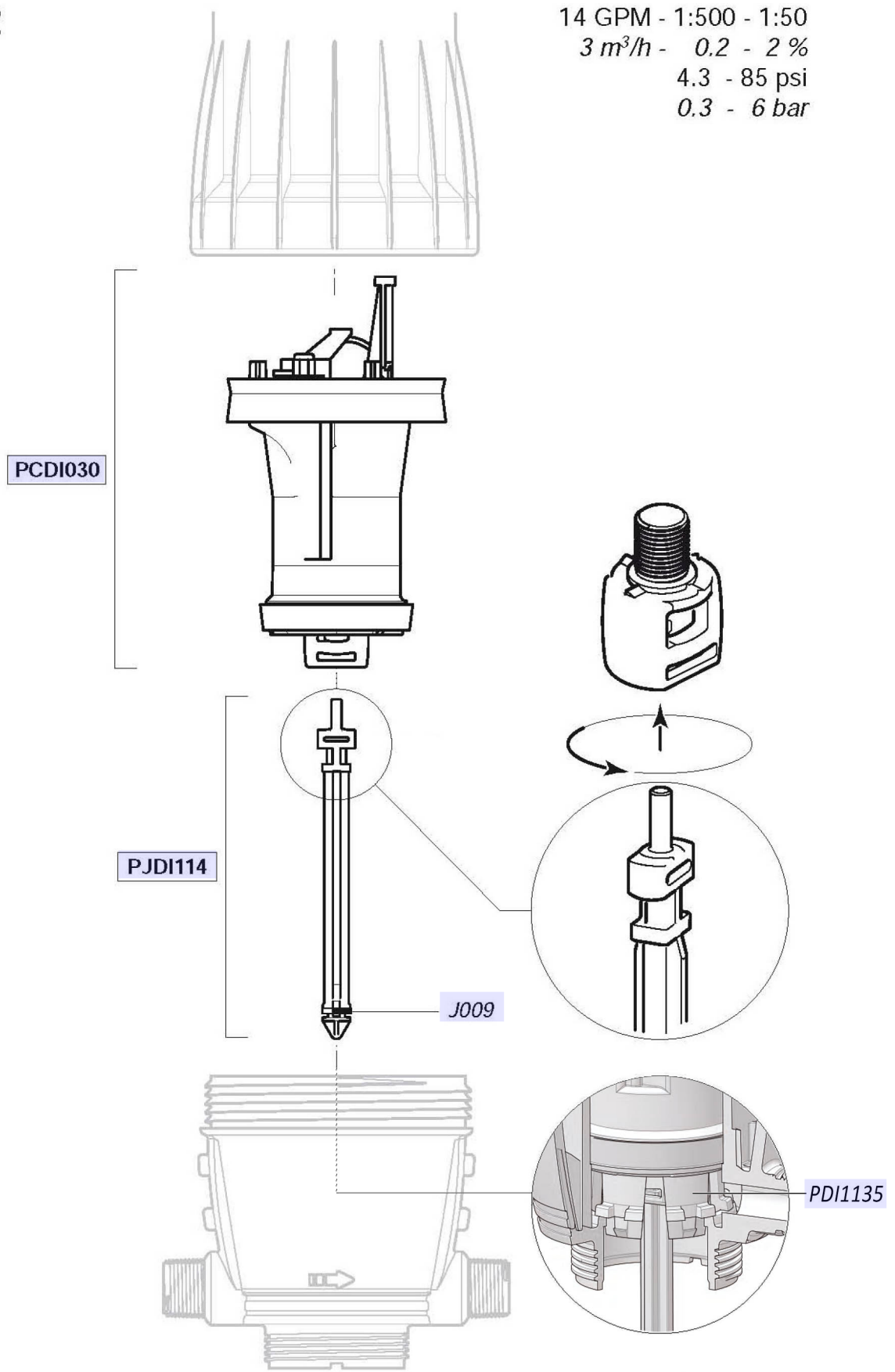
D14MZ2

14 GPM - 1:500 - 1:50
3 m³/h - 0.2 - 2 %
4.3 - 85 psi
0.3 - 6 bar



D14MZ2

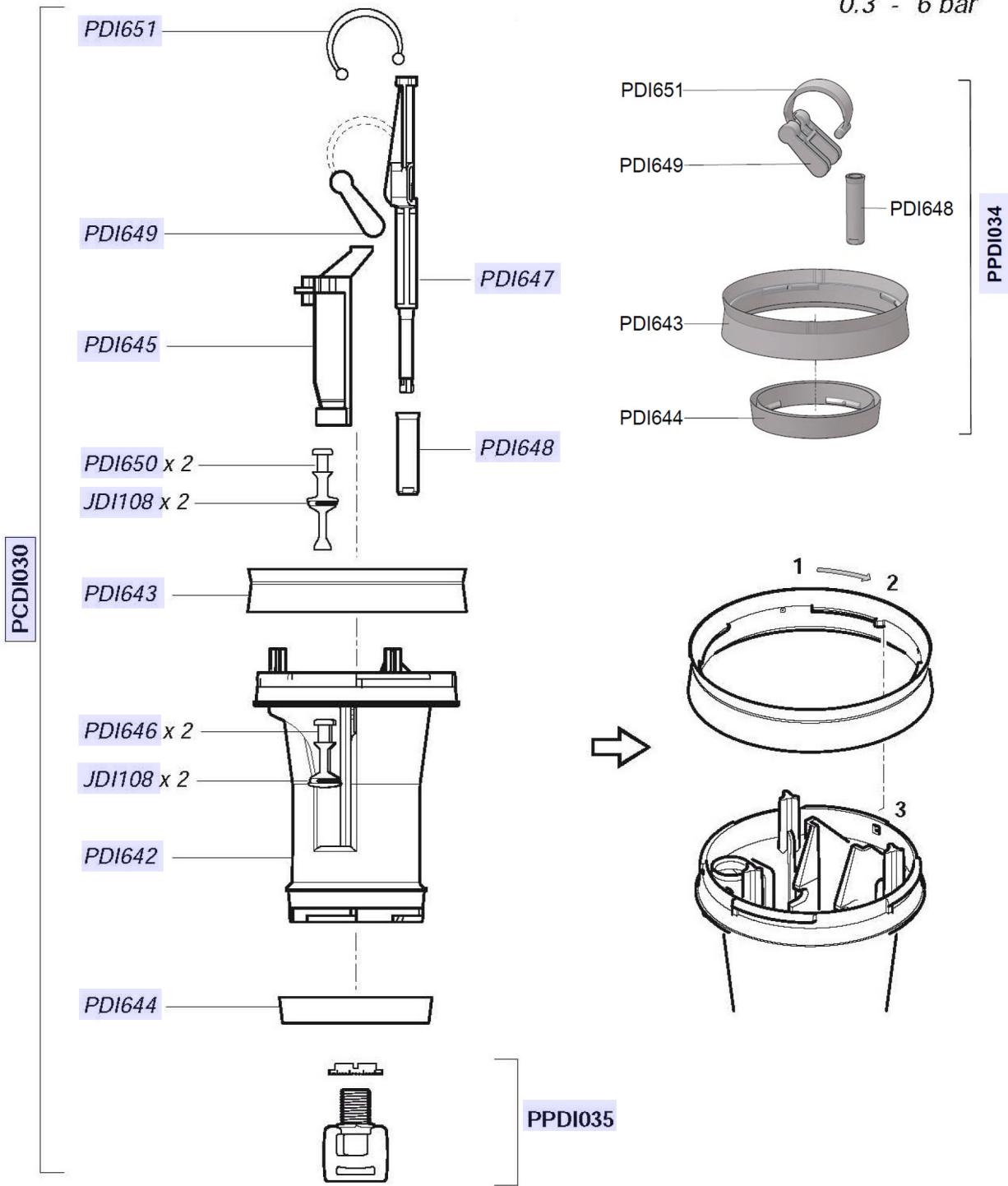
14 GPM - 1:500 - 1:50
3 m³/h - 0.2 - 2 %
4.3 - 85 psi
0.3 - 6 bar



© DOSATRON INTERNATIONAL S.A.S. 2008
D14MZ2/0608/D4

D14MZ2

14 GPM - 1:500 - 1:50
 3 m³/h - 0.2 - 2 %
 4.3 - 85 psi
 0.3 - 6 bar

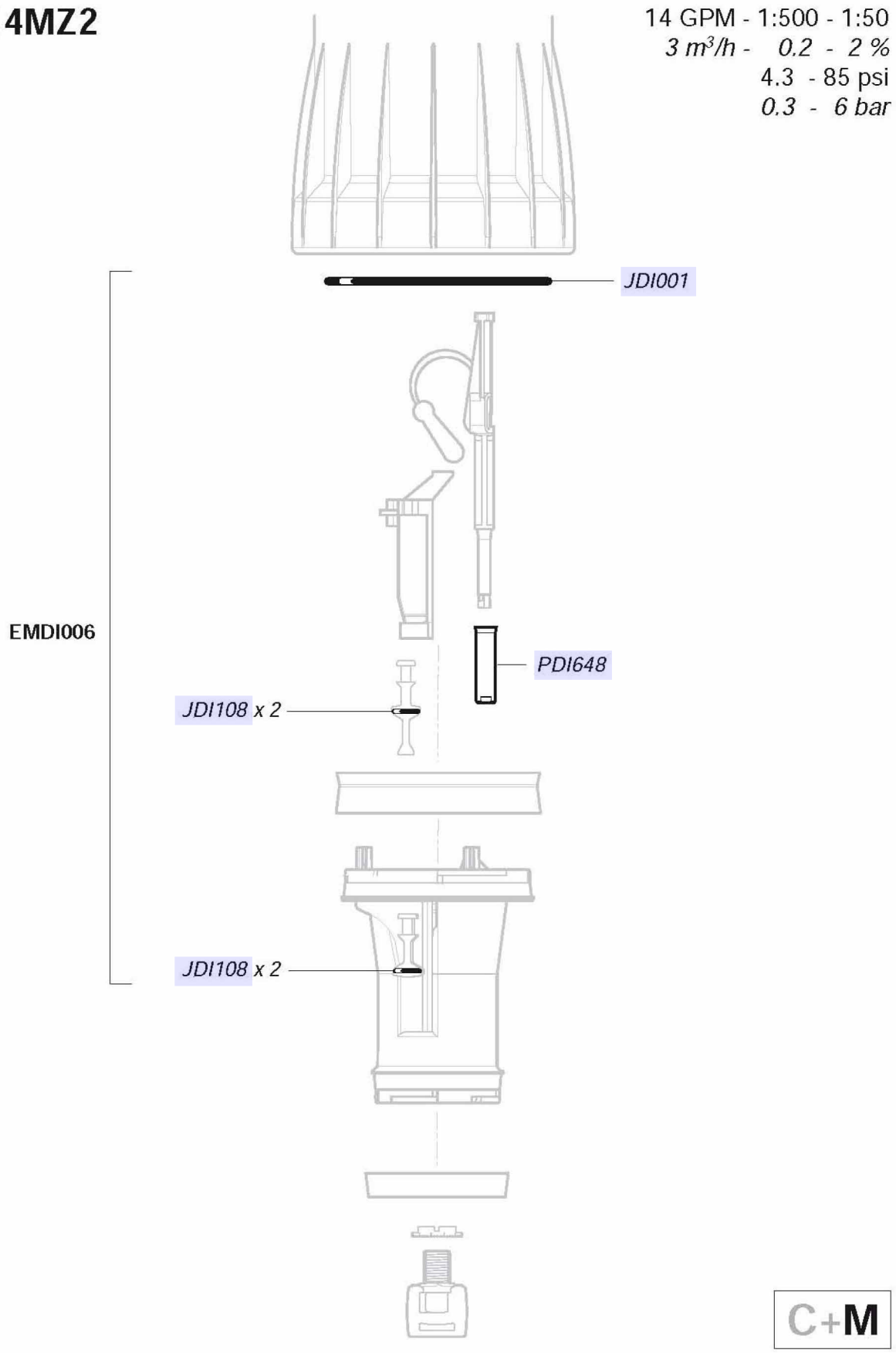


© DOSATRON INTERNATIONAL S.A.S. 2008
 D14MZ2/0608/DS



D14MZ2

14 GPM - 1:500 - 1:50
3 m³/h - 0.2 - 2 %
4.3 - 85 psi
0.3 - 6 bar

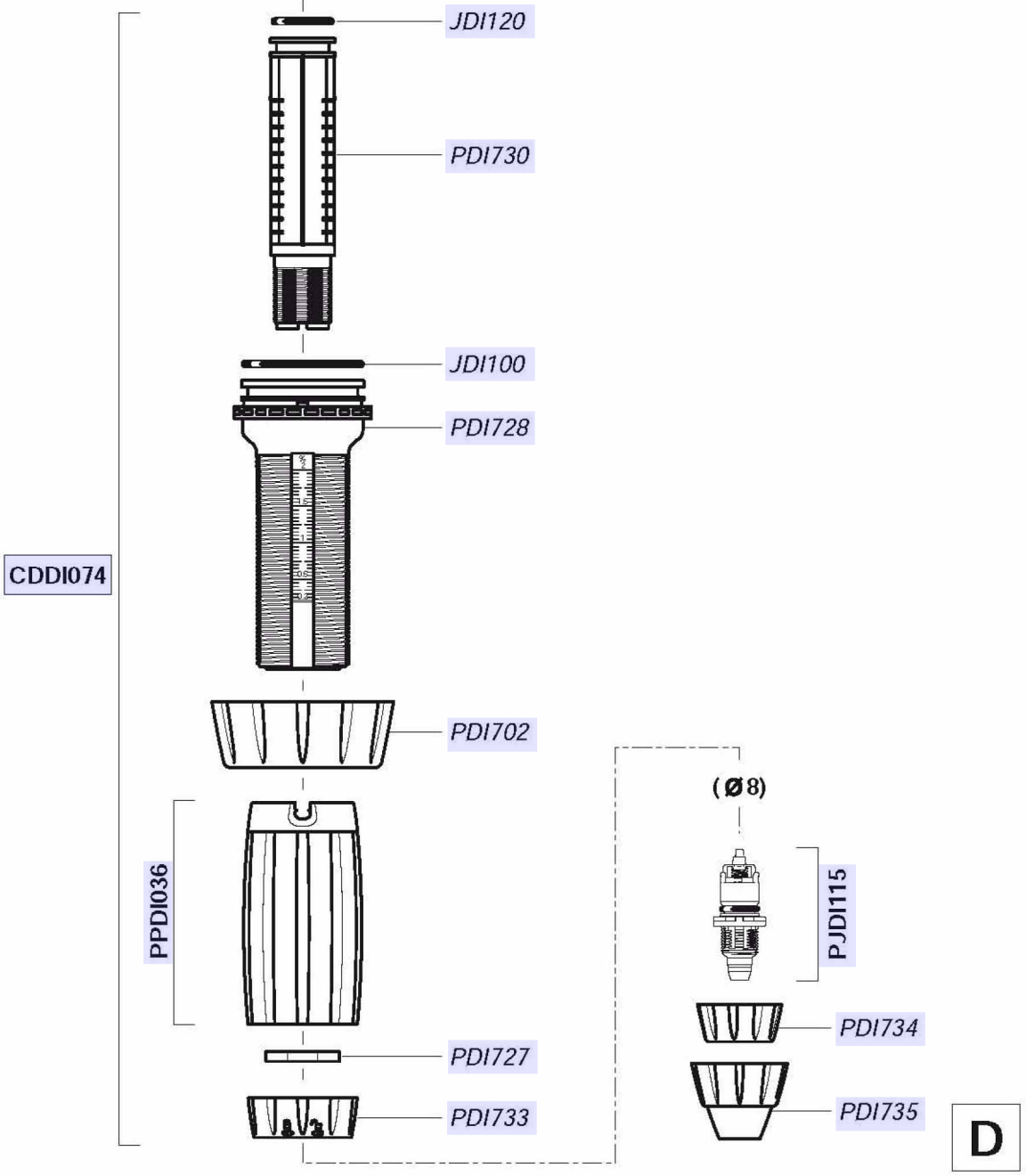
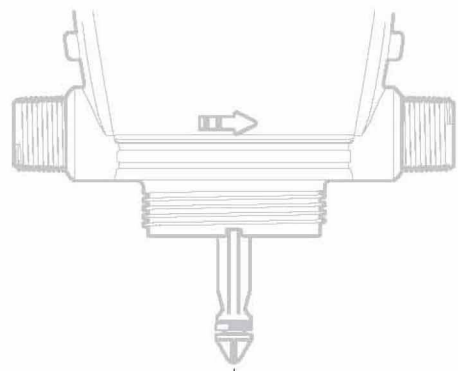


© DOSATROM INTERNATIONAL S.A.S. 2008
D14MZ2/0608/D6



D14MZ2

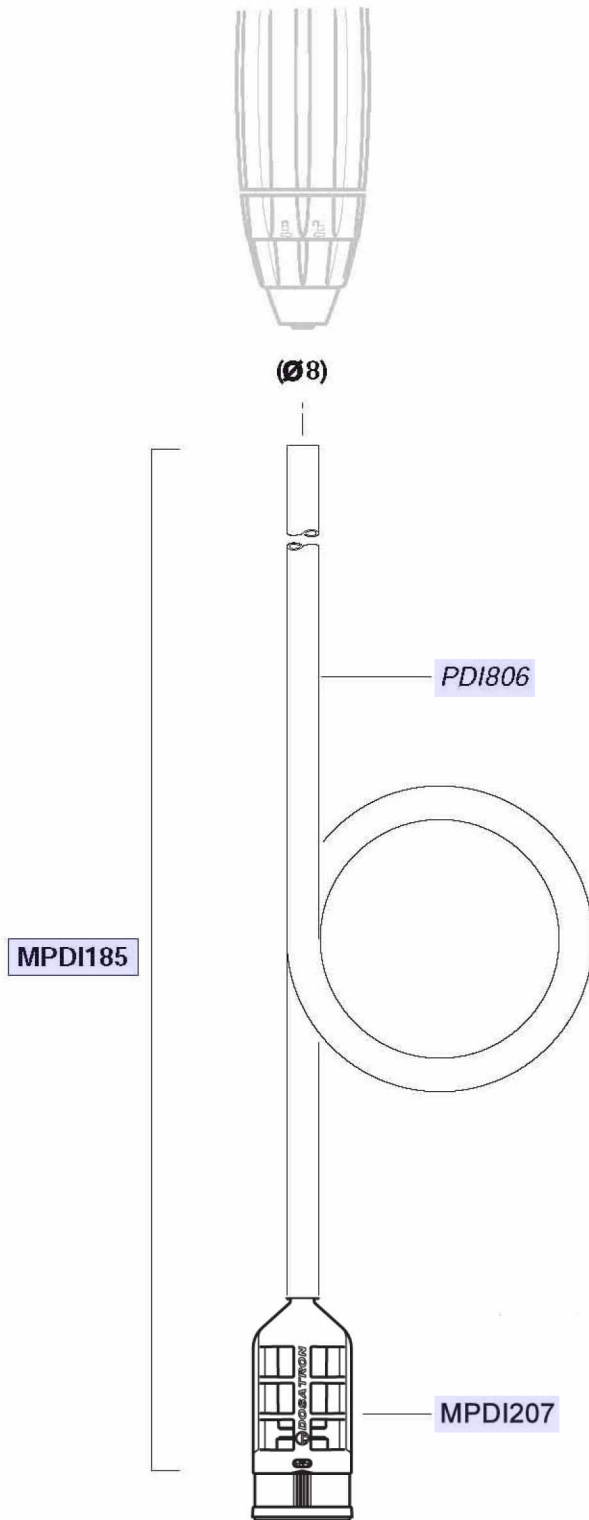
14 GPM - 1:500 - 1:50
 3 m³/h - 0.2 - 2 %
 4.3 - 85 psi
 0.3 - 6 bar



© DOSATROM INTERNATIONAL S.A.S. 2008
 D14MZ2/0608/D7

D14MZ2

14 GPM - 1:500 - 1:50
3 m³/h - 0.2 - 2 %
4.3 - 85 psi
0.3 - 6 bar



© DOSATROM INTERNATIONAL S.A.S. 2008
D14MZ2/0608/D9

A