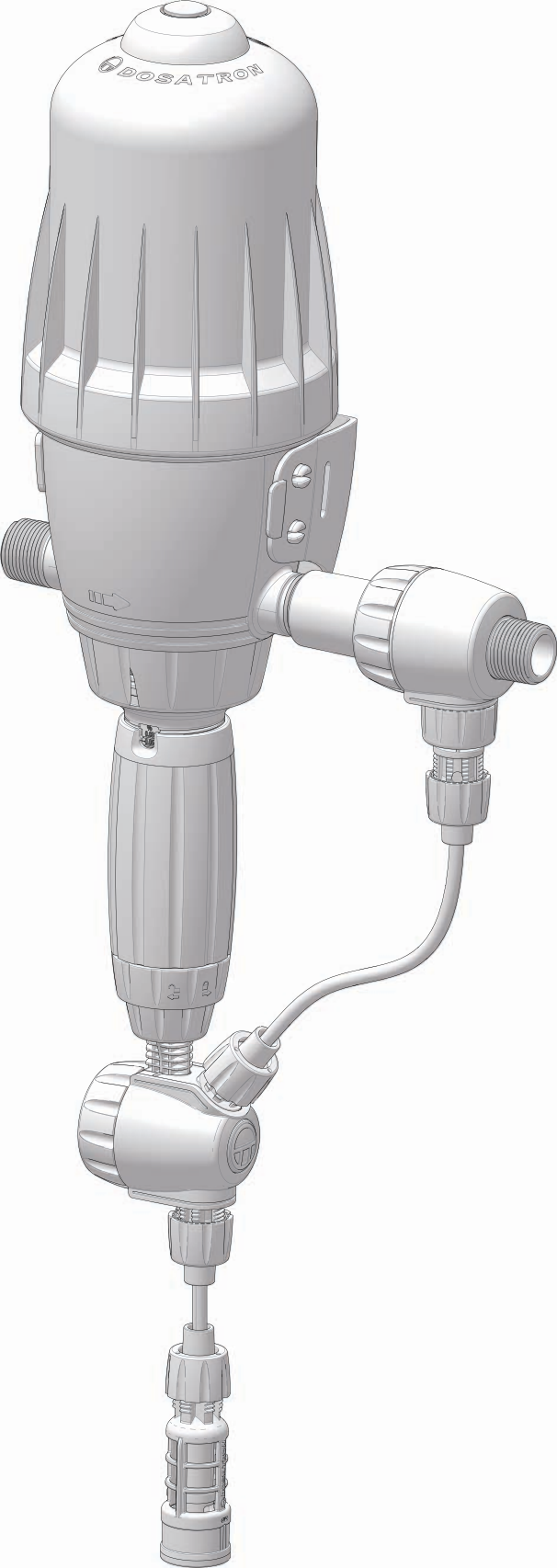


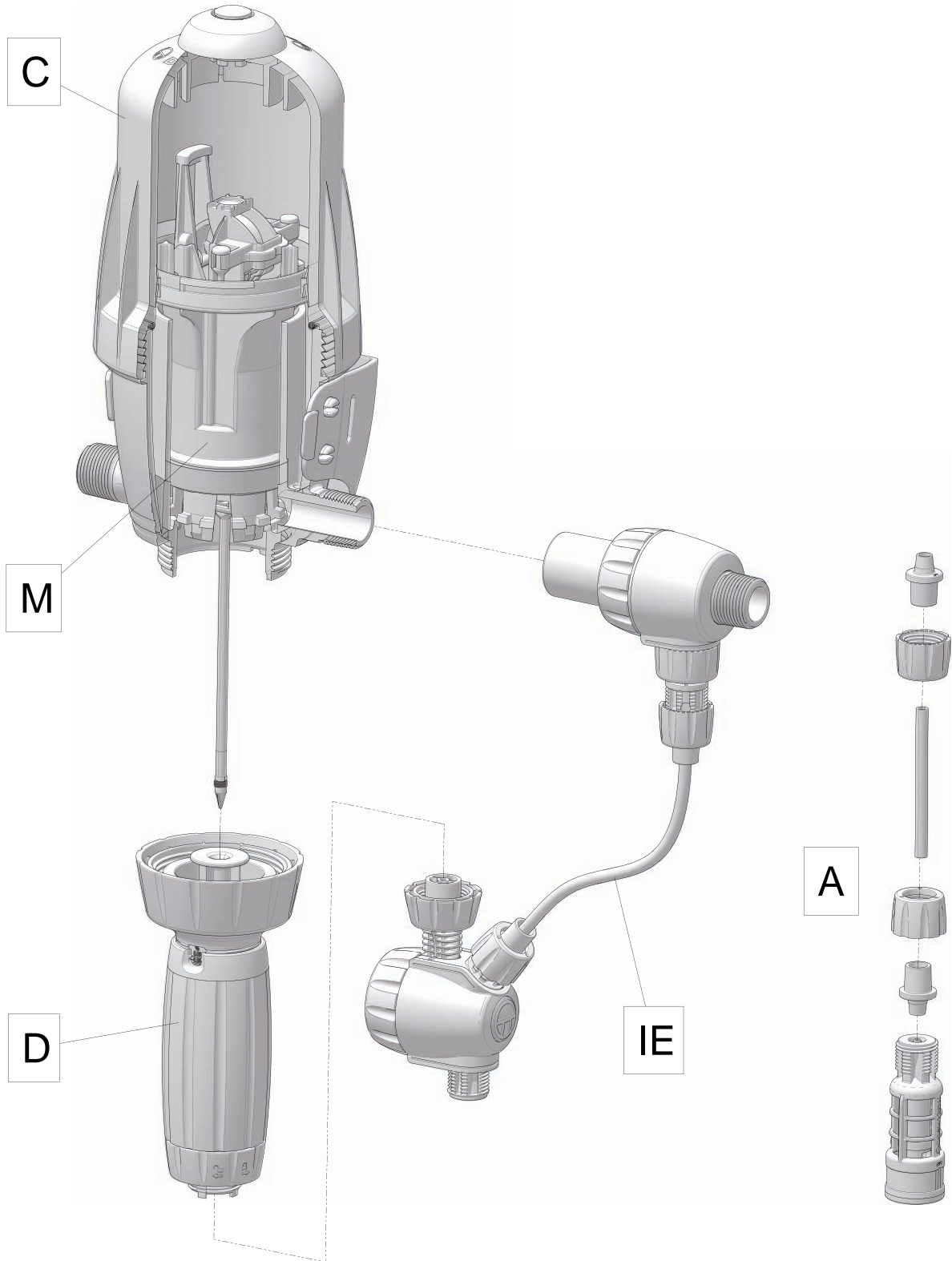
**D3 0.03 - 0.3% IE**

3m<sup>3</sup>/h - 0.03 - 0.3%  
14 GPM - 1:3000 - 1:333  
0.5 - 6 bar  
7.3 - 85 psi



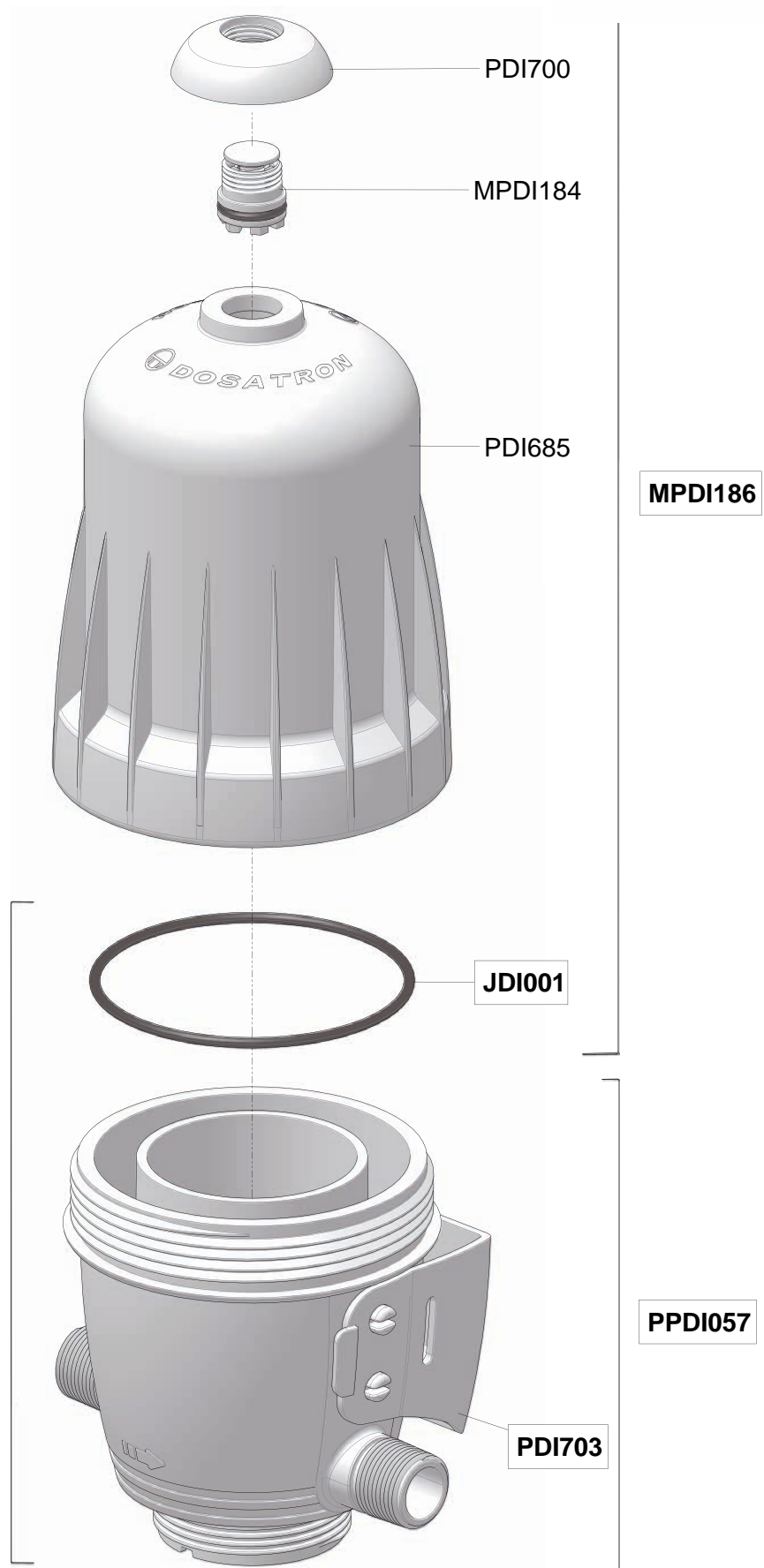
# D3 0.03 - 0.3% IE

3m<sup>3</sup>/h - 0.03 - 0.3%  
14 GPM - 1:3000 - 1:333  
0.5 - 6 bar  
7.3 - 85 psi



# D3 0.03 - 0.3% IE

3m<sup>3</sup>/h - 0.03 - 0.3%  
14 GPM - 1:3000 - 1:333  
0.5 - 6 bar  
7.3 - 85 psi



# D3 0.03 - 0.3% IE

3m<sup>3</sup>/h - 0.03 - 0.3%  
14 GPM - 1:3000 - 1:333  
0.5 - 6 bar  
7.3 - 85 psi

PCDI030

PJDI138

PDI921

JDI148

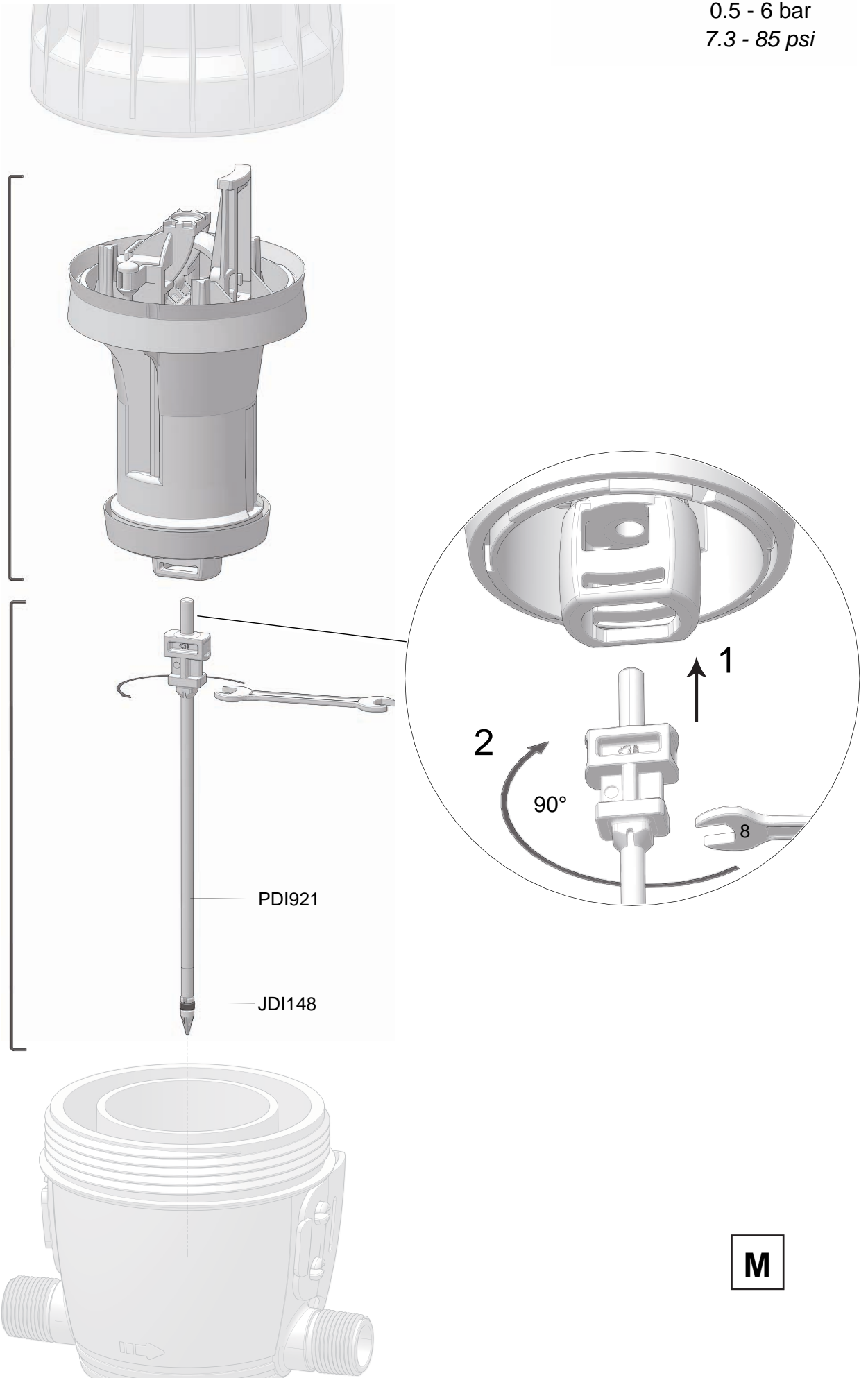
2

90°

1

8

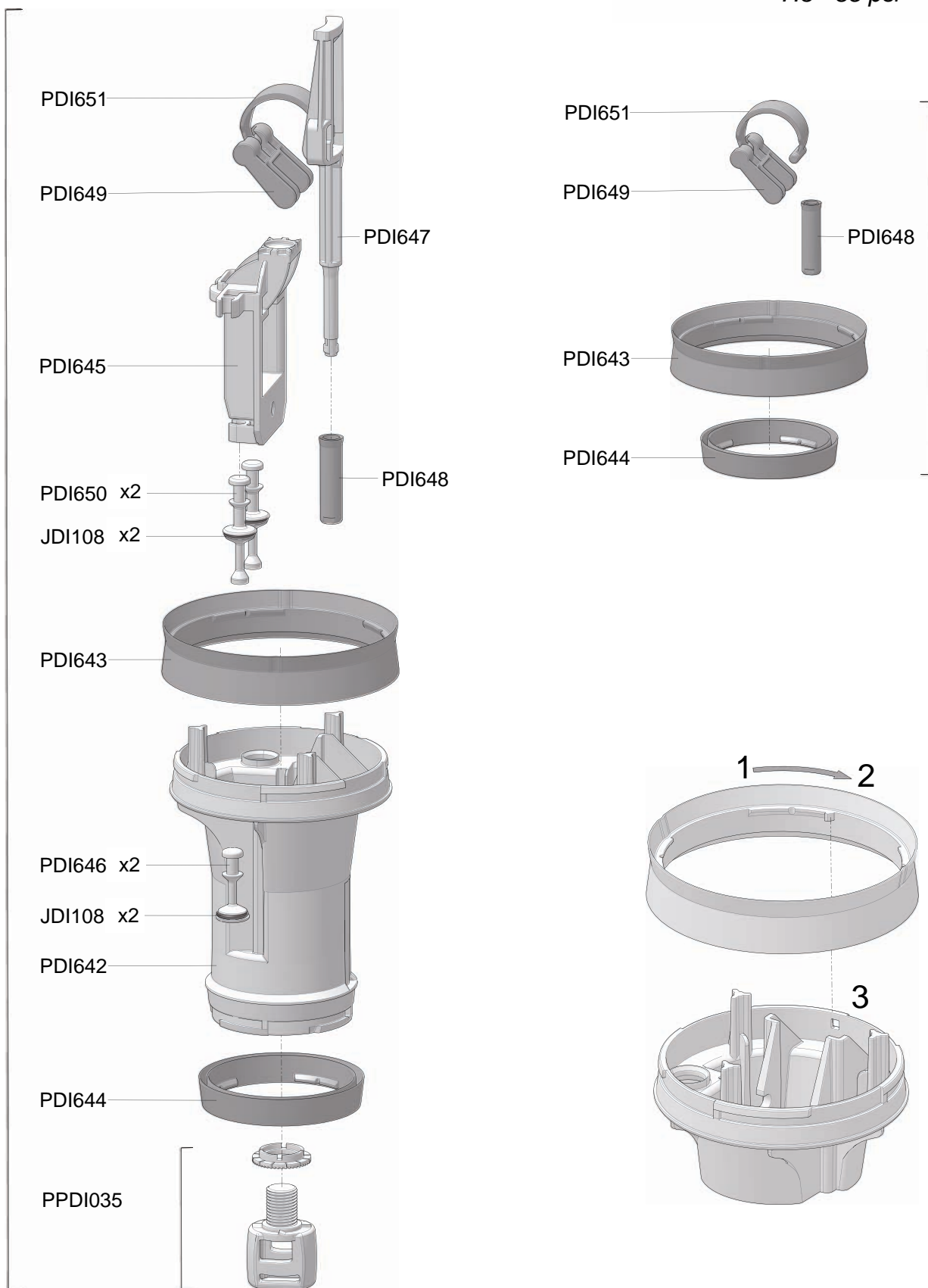
M



# D3 0.03 - 0.3% IE

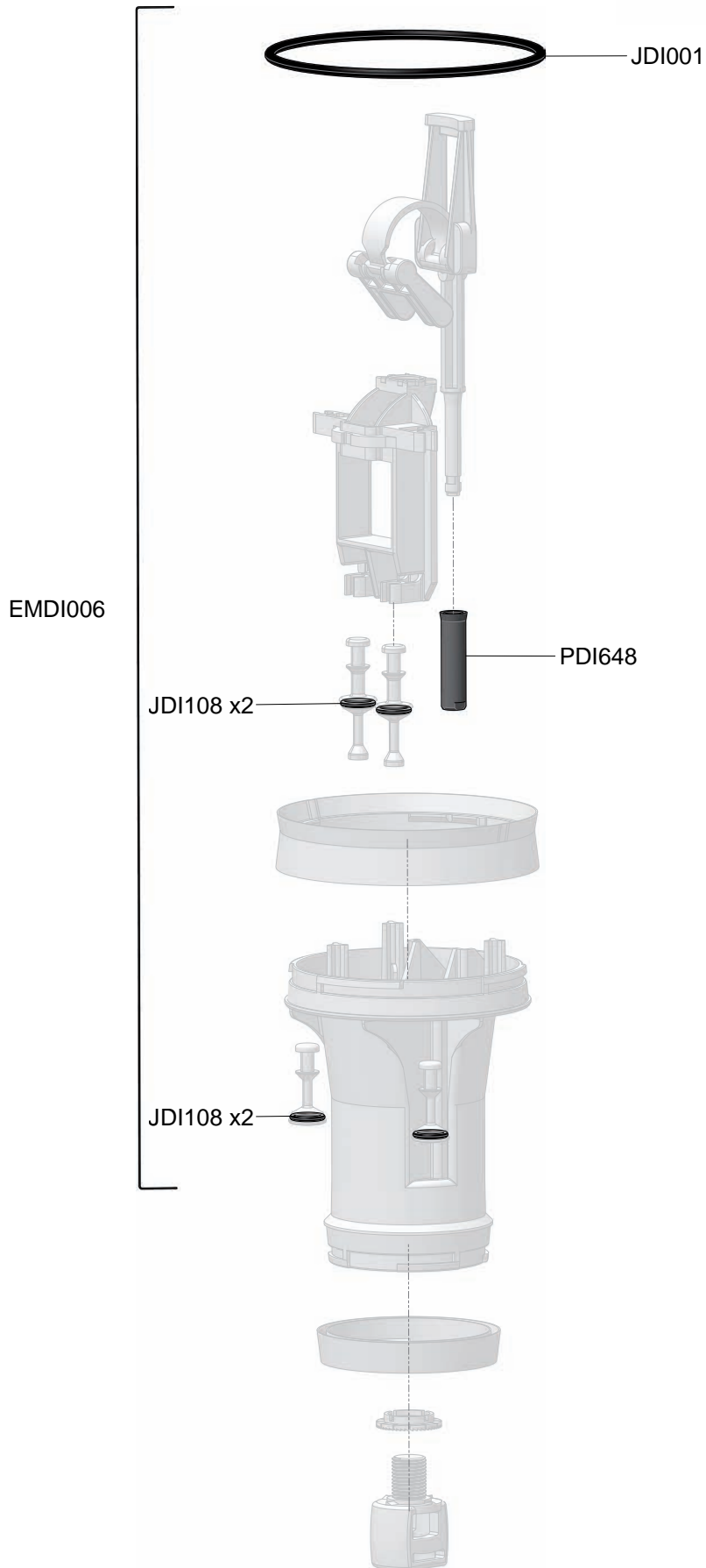
3m<sup>3</sup>/h - 0.03 - 0.3%  
 14 GPM - 1:3000 - 1:333  
 0.5 - 6 bar  
 7.3 - 85 psi

PCDI030



# D3 0.03 - 0.3% IE

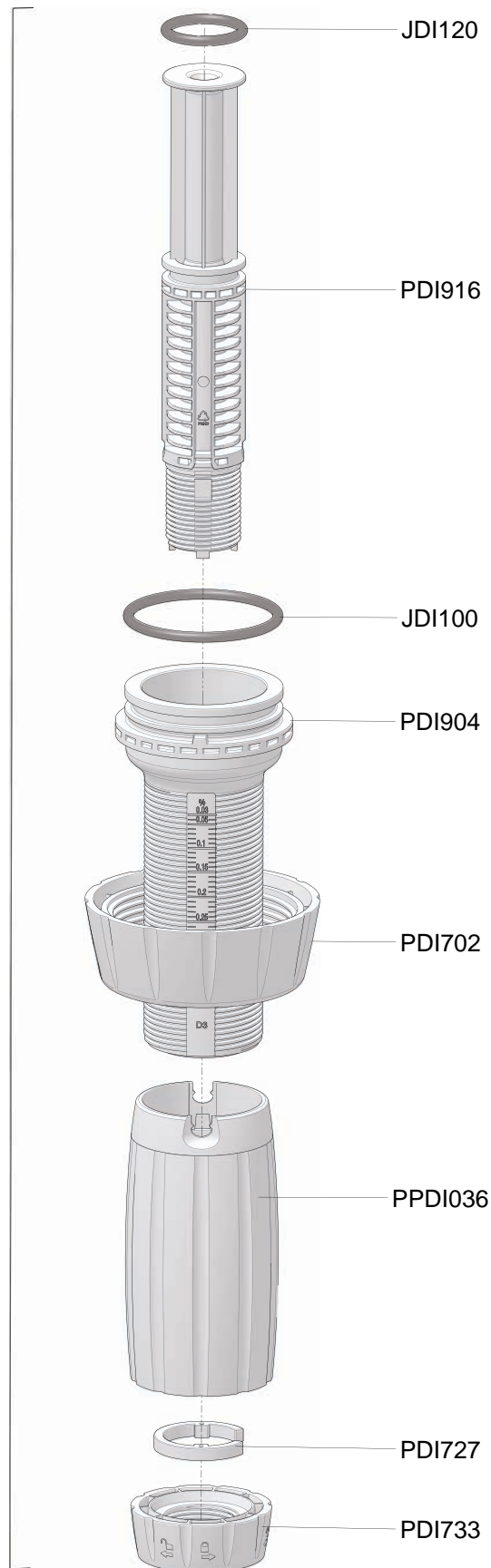
3m<sup>3</sup>/h - 0.03 - 0.3%  
14 GPM - 1:3000 - 1:333  
0.5 - 6 bar  
7.3 - 85 psi



# D3 0.03 - 0.3% IE

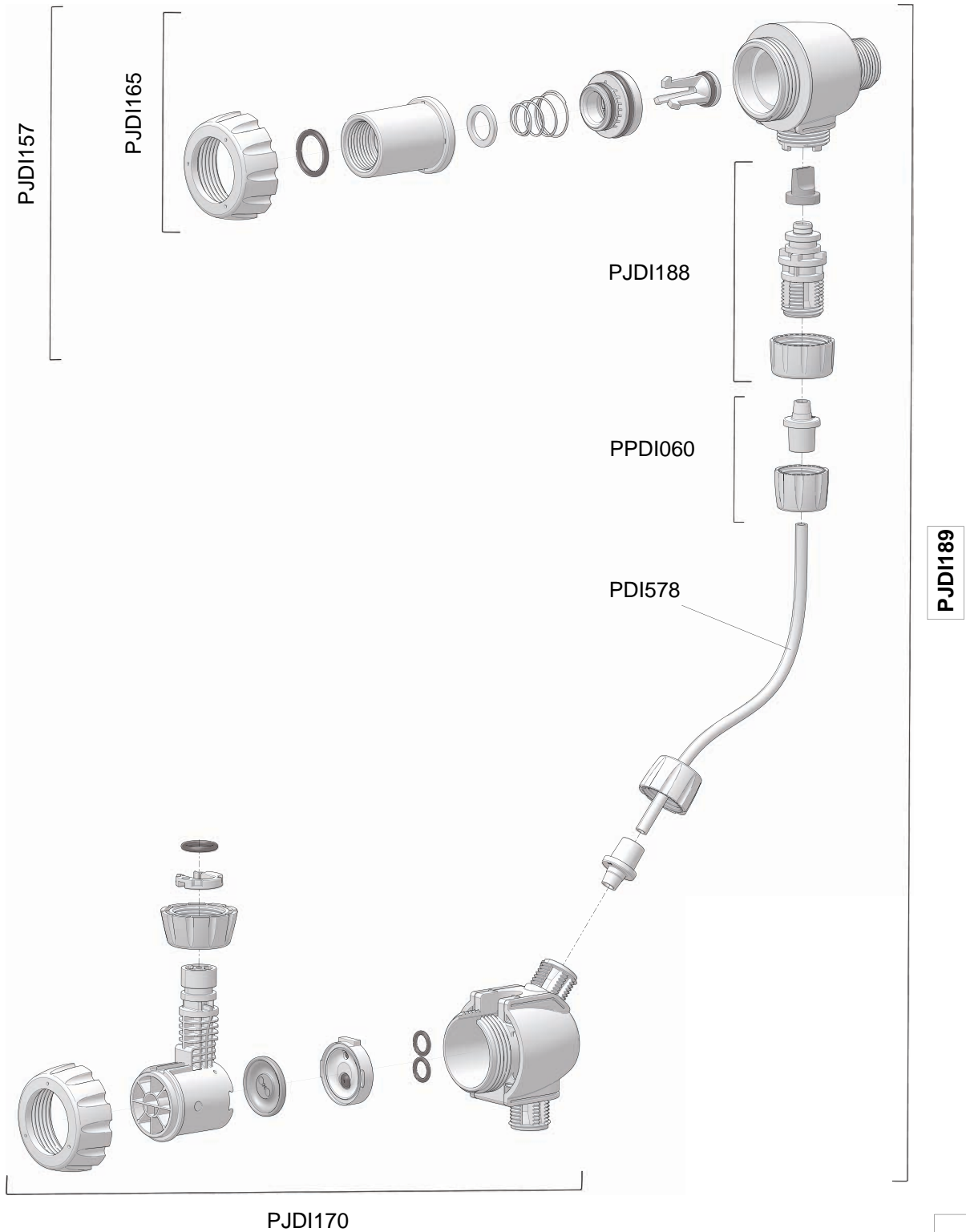
3m<sup>3</sup>/h - 0.03 - 0.3%  
14 GPM - 1:3000 - 1:333  
0.5 - 6 bar  
7.3 - 85 psi

**CDDI088**



# D3 0.03 - 0.3% IE

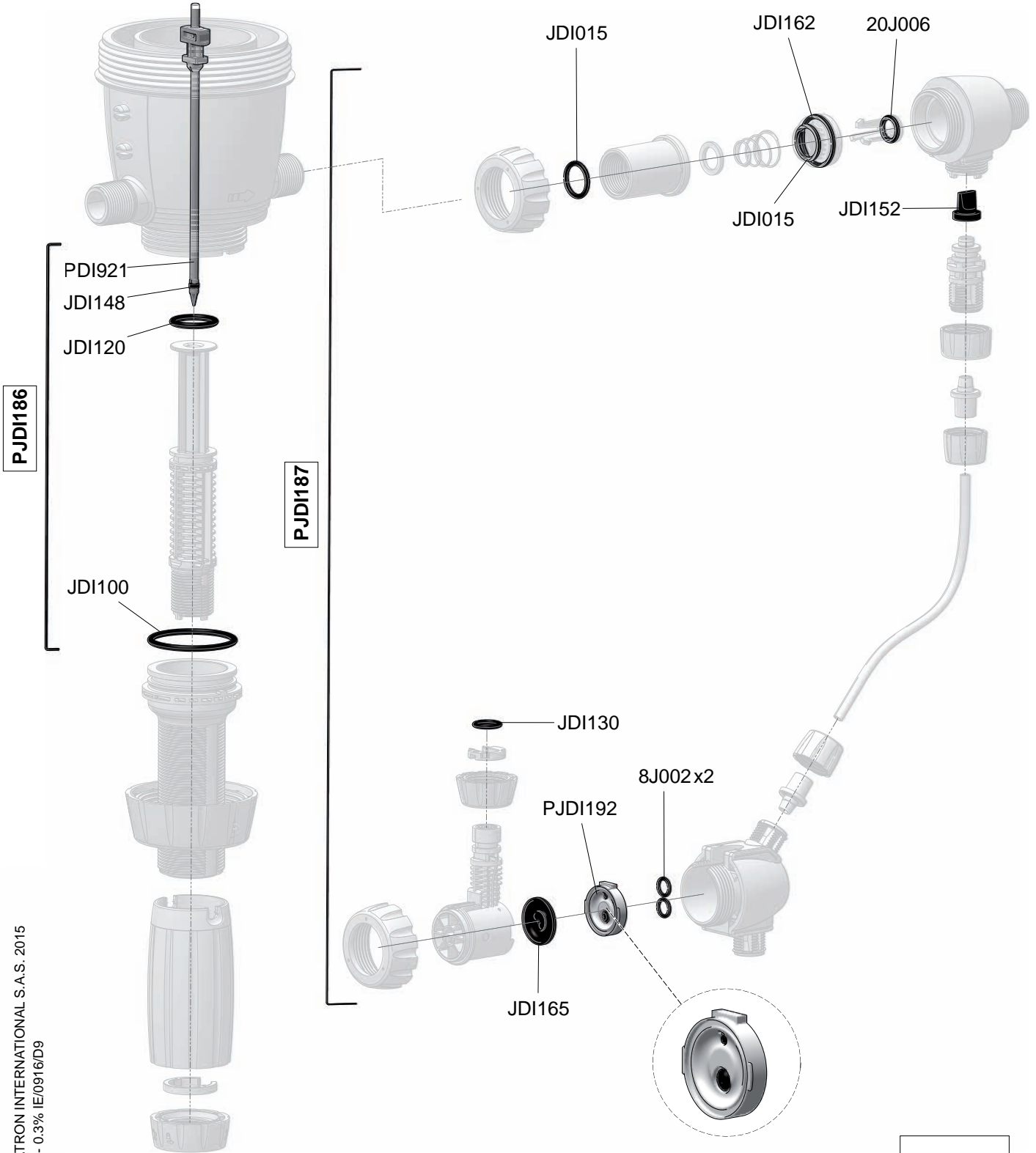
3m<sup>3</sup>/h - 0.03 - 0.3%  
14 GPM - 1:3000 - 1:333  
0.5 - 6 bar  
7.3 - 85 psi





# D3 0.03 - 0.3% IE

3m<sup>3</sup>/h - 0.03 - 0.3%  
14 GPM - 1:3000 - 1:333  
0.5 - 6 bar  
7.3 - 85 psi



PJDI186

PJDI187

D+IE

# D3 0.03 - 0.3% IE

3m<sup>3</sup>/h - 0.03 - 0.3%  
14 GPM - 1:3000 - 1:333  
0.5 - 6 bar  
7.3 - 85 psi

(Ø4)

**MPDI205**

