



Owner's manual



Download our  
**DOSATRON**  
app



 App Store

 Google play

MANUFACTURED BY

**DOSATRON INTERNATIONAL S.A.S.**

Rue Pascal - B.P. 6 - 33370 TRESSES (BORDEAUX) - FRANCE

Tel. 33 (0)5 57 97 11 11

Fax. 33 (0)5 57 97 11 29 / 33 (0)5 57 97 10 85

info@dosatron.com - www.dosatron.com

© DOSATRON INTERNATIONAL S.A.S 2019



NTD9GL-04-19

**D9 - GREEN LINE**

# English

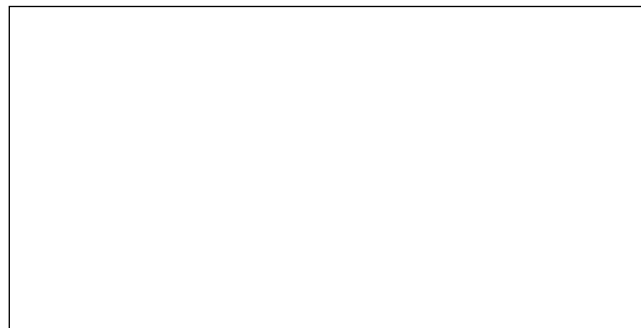
This document does not form a contractual obligation and is for information only. DOSATRON INTERNATIONAL reserves the right to alter its appliances at any time.  
© DOSATRON INTERNATIONAL S.A.S 2018

**You have just acquired a DOSATRON water-powered dosing pump. Congratulations on your choice. This model was produced using over 40 years of experience.**

**Our engineers have placed the DOSATRON series at the forefront of technical development in the field of DOSATRON water-powered metering pumps.**

**Over time this DOSATRON will prove itself to be a most faithful ally. A few regular maintenance operations will guarantee operation in which the word “breakdown” will no longer be heard.**

**THEREFORE, PLEASE, READ THIS MANUAL CAREFULLY  
BEFORE PUTTING THE APPLIANCE INTO SERVICE**



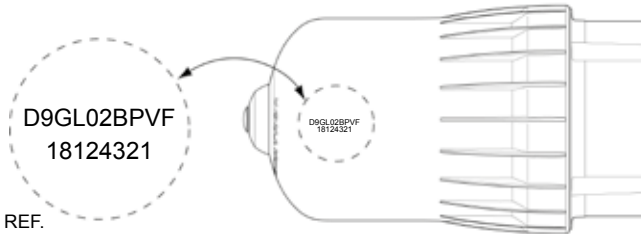


# Marking/Identification Characteristics

Your dosing pump has 2 main marking zones enabling it to be identified in detail:

A 2-line engraving on the section of the top (see picture below), containing the exact reference for the appliance and the serial number.

A technical label on each side of the dosing pump body indicating the technical performances of the appliance.



REF.  
Serial No.:

## CODIFICATION OF THE REFERENCE

REF. : .....		Serial #: .....			
Example	D9	GL	2	BP	VF
Dosatron Range					
Product line GL: Green Line					
Dosing					
BP: Manual by-pass					
Dosing Seals VF: Acidic liquids (pH 0-9)					

## CHARACTERISTICS

	D9GL2	D9GL5
--	-------	-------

Operating flow: **500 l/h min. 9 m<sup>3</sup>/h max.** [2.2 - 40 US gpm].

Max. operating temperature: .....**40 °C** [104 °F]

Operating pressure:

bars	0.3 - 8	0.5 - 8
psi	4.3 - 116	7.25 - 116

Dosing adjustable from the exterior:

% Ratio	0.2 - 2	1 - 5
	1/500 - 1/50	1/100 - 1/20

Concentrated product injection flow:

Min. l/h - Max. l/h	1 - 180	5 - 450
US Fl. oz/min - MIN	0.56	2.82
US Fl. oz/min - MAX	101.45	253.62

Connections (NPT/BSP male gas fittings): .....**Ø40x49 mm** [1 1/2"].

Hydraulic motor capacity (every two clicks of the piston):  
approx. **1.7 l** [0.449 US gallons]

**IMPORTANT! The DOSATRON is not pre-set,**  
please refer to the paragraph **ADJUSTING THE DOSING**

## DIMENSIONS

Diameter:	cm ["]	17.55 [6 9/10]	17.55 [6 9/10]
Total height:	cm ["]	67.82 [26 11/16]	70.15 [26 19/16]
Overall width:	cm ["]	21.8 [8 1/2]	21.8 [8 1/2]
Weight: ± kg [lbs]		3.3 [7.3]	3.3 [7.3]

**PARCEL COMPOSITION:** 1 DOSATRON/1 mounting bracket for DOSATRON/1 suction hose for concentrate/1 strainer/ 1 quick start guide

### PACKAGING DIMENSIONS:

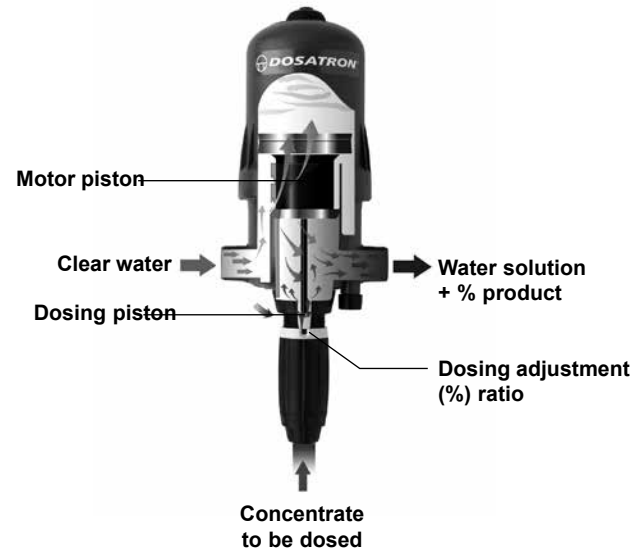
67 x 22.5 x 20.5 cm [26 3/8" x 8 7/8" x 8 1/16"]

**PARCEL WEIGHT:** Approx. 5.5 kg [~ 12.1 US lbs]

# DOSATRON Technology

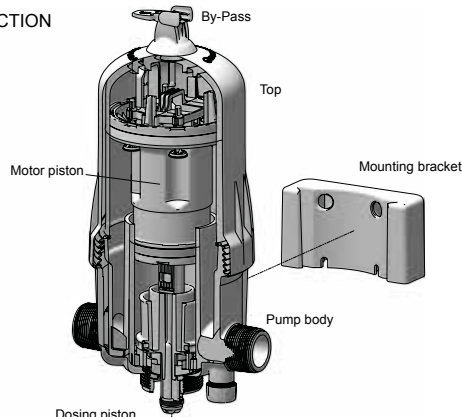
A unique technology associating all dosing functions

Installed on the water supply line, the Dosatron uses water pressure as the only power source. Thus activated, it takes up the required percentage dose of concentrate and then mixes it with the moving water. The solution produced is then propelled downstream. The dose of injected product is always proportional to the volume of water passing through the Dosatron, regardless of variations in flow or pressure in the water supply line.



# Installation

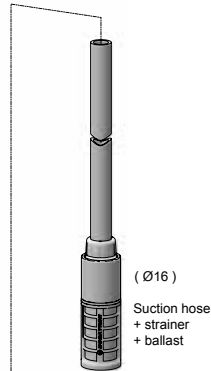
## MOTOR SECTION



Suction valve

Suction valve nut

Hose nut



## DOSING PART

## PRECAUTIONS

### 1-GENERAL POINTS

- When connecting a DOSATRON either to the public water supply line or to its own water source, it is essential to adhere to the standards concerning protection and disconnection. DOSATRON recommends a disconnecter to prevent contamination of the water supply.
- When connecting the DOSATRON to the water supply line, ensure that the water flows in the direction of the arrows shown on your appliance.
- If the installation is higher than the DOSATRON itself, there is a possible risk of water and concentrate flowing back into the DOSATRON. Installing a non-return valve downstream of the appliance is therefore recommended.
- Placing an anti-siphoning valve downstream of the dosing pump is recommended in installations where there is a risk of siphoning.
- Do not install the DOSATRON above a container of acid or aggressive product. Move the can away and protect it from possible product fumes with a cover.
- Store the DOSATRON away from excessive heat sources and in winter away from frost.
- Do not install the DOSATRON on the water pump suction circuit (risk of siphoning).

- It is the responsibility of the user to replace the dosing part seals annually to ensure accurate dosing.

- The adjustment of the Dosatron's dosing is the sole responsibility of the user. The user must adhere strictly to the recommendations of the manufacturer of the chemicals.

### ⚠ WARNING

**When installing, operating, and maintaining the DOSATRON water-powered dosing pump, as a priority observe the safety instructions. Use suitable tools, protective clothing, and safety glasses when working on the equipment and install it with a view to ensuring risk-free operation.**

**Follow the instructions in this manual and take safety measures appropriate to the nature of the suctioned liquid and the water temperature. - Be extremely careful in the presence of hazardous substances (corrosives, toxic substances, solvents, acids, caustics, flammable substances, etc.).**

## PRECAUTIONS (cont...)

- For dosing these substances, please consult your distributor before use to confirm compatibility with the dosing pump.

**▲ IMPORTANT! The personnel in charge of the installation, use and maintenance of this equipment must have perfect knowledge of the content of this manual.**

- Ensure that the water flow and pressure of the installation are compliant with the DOSATRON characteristics.
- Adjustment of the dosing must be made unpressurised. -Turn off the water supply and allow the pressure to drop to zero.
- It is the sole responsibility of the user to select the DOSATRON adjustments to obtain the desired dosing
- An airtightness problem, an impurity or a chemical attack on the seal can interrupt the dosing operation. Periodic checking that the concentrate to be dosed is being correctly drawn into the DOSATRON is recommended.
- Change the DOSATRON suction hose as soon as it seems damaged by the concentrate being dosed
- Release the pressure after use (advised).
- Rinsing of the DOSATRON is essential:
  - whenever the product is changed
  - before handling the DOSATRON, to avoid any contact with aggressive products.

- All assembly and tightening should be done manually without tools (outside tightening torque recommendations).

### 2-WATER WITH HIGH PARTICLE CONTENT

- If the water has a high abrasive particle content which could cause premature wear of the Dosatron, it is essential to install an upstream filter (e.g. 130 microns - 120 mesh or finer).

### 3-WATER-HAMMER/OVERFLOW

- For installations subject to water hammer, a water hammer protection device must be fitted (pressure/flow control system).
- For automated installations, it is preferable to use slow opening and slow closing solenoid valves.
- In the case where a DOSATRON serves several sectors, activate the solenoid valves simultaneously (closure of one sector and opening of another sector at the same time).

### 4-INSTALLATION LOCATION

- The DOSATRON and the product to be dosed should be accessible.
- Their installation must under no circumstances present a pollution or contamination risk.
- It is recommended that all water pipes are marked showing that the water contains additives and with the wording: "CAUTION! Non-potable water".

### 5-MAINTENANCE

- After use, the aspiration of clear water is recommended.
- Annual maintenance will optimise the life of your DOSATRON. Annually replace the dosing part seals and the product suction hose.

### 6-SERVICE

- This DOSATRON was tested prior to packaging.
- Repair sub-assemblies and sachets of seals are available.
- Do not hesitate to call your distributor or DOSATRON for any after-sales services.

## INSTALLATION OF THE DOSATRON

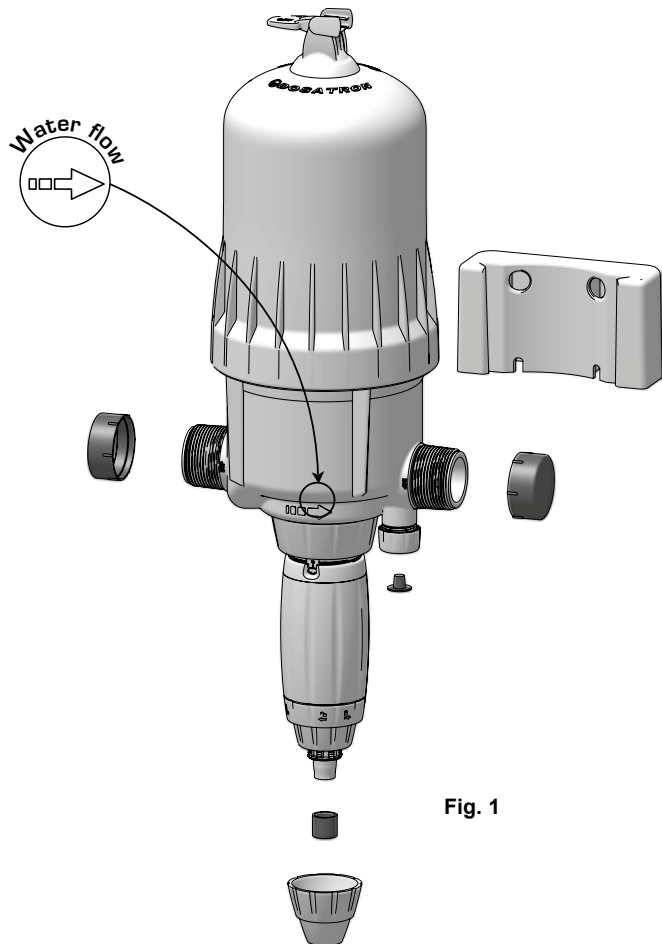


Fig. 1

### THE INSTALLATION ASSEMBLY SHOULD BE CARRIED OUT WITHOUT TOOLS

The DOSATRON is delivered with :

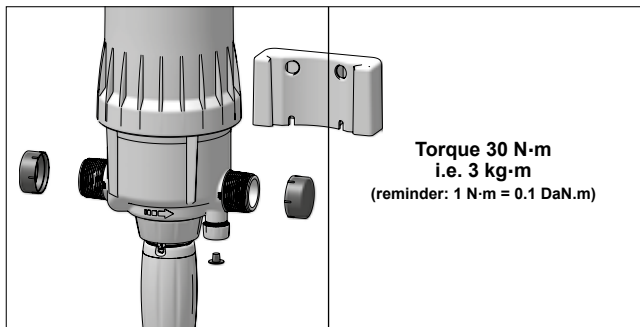
- a mounting bracket,
- a suction hose with a strainer.

The bracket enables the DOSATRON to be mounted on a wall.

Engage the DOSATRON dovetails into the mounting bracket.

Remove the protective caps which block the openings in your DOSATRON, before connecting it to the water supply line. (Fig. 1)

### RECOMMENDATIONS



The DOSATRON can be connected to the water supply line by means of 40 mm interior diameter flexible pipes fixed with swivel fittings  $\varnothing 40 \times 49$  mm [1 1/2"]. Make certain that the water flows in the direction of the arrows (water flow) on the appliance.

Whenever possible, install the Dosatron high enough for easy reading and adjusting of the dosing on the graduated scale in % or ratio.



## CHANGING THE DOSING SCALE

The DOSATRON dosing rate can be adjusted according to two scales: percentages and ratios. These scales are positioned on either side of the dosing part (**Fig.2**).

Depending on the liquid circulation direction in the hydraulic installation, and on the direction in which the dosing pump is mounted on its bracket, it may be necessary to change the orientation of this scale.

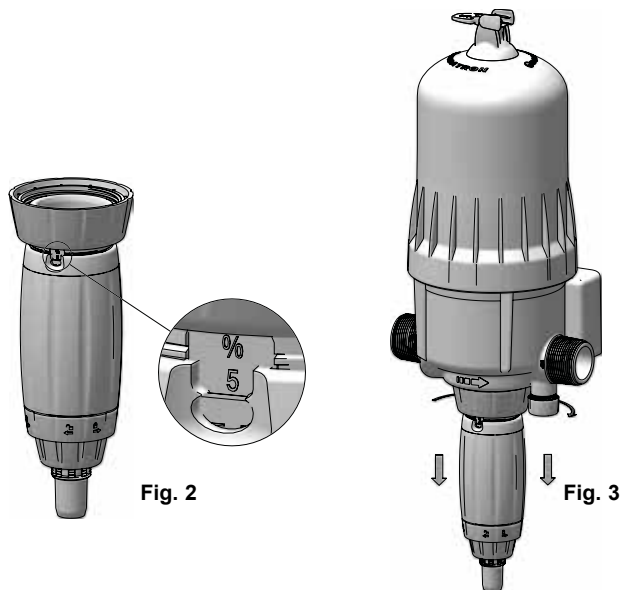


Fig. 2

Fig. 3

- Pull downwards and rotate a half-turn to release the dosing part to see the correct dosing adjustment scale (**Fig3**)

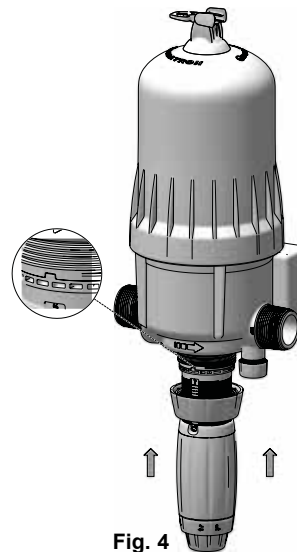


Fig. 4

- If necessary, to see the pins better, unscrew the dosing adjustment sleeve as far as the middle of its travel.

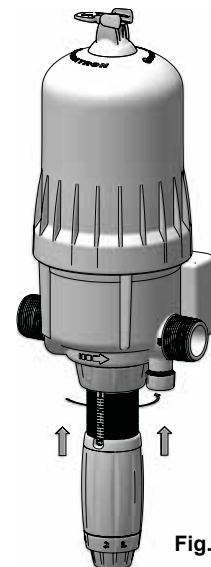


Fig. 5

- Manually retighten the fixing nut on the dosing part

## CONNECTING THE SUCTION HOSE

The DOSATRON is delivered with a suction hose (to be adjusted as necessary) enabling its use with a large capacity container. This hose must be fitted with the strainer and ballast.

NOTE: The maximum suction height is 4 metres [13 ft].

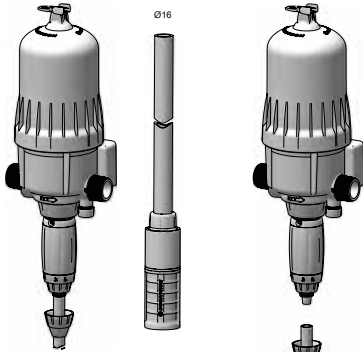


Fig. 6

Fig. 6a

Fig. 7

### Model 0.2 to 2%

- Unscrew the nut (Fig. 6) at the bottom of the dosing part and thread the suction hose into the nut.
- Push the hose into the barbed fitting as far as it will go and screw the nut by hand (Fig. 7).
- Assemble the strainer on the other end of the hose using the same method
- Immerse the strainer into the solution to be dosed

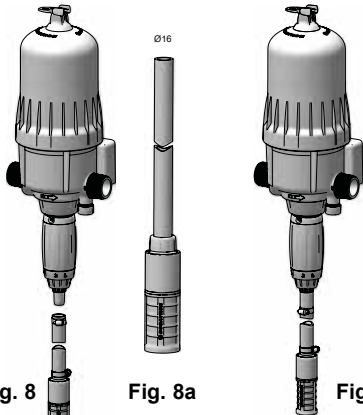


Fig. 8

Fig. 8a

Fig. 9

### Model 1 to 5%

- For the 1 to 5% models, secure the hose on the barbed hose connection and the strainer using the tightening clamps supplied.

## INSTALLATION TIPS

The DOSATRON must be assembled in by-pass as shown below (Fig. 10). An in-line assembly is possible but not recommended because it does not enable the dosing pump to be easily isolated for maintenance (necessary to cut off the water supply).

If your flow is above DOSATRON limits, see the § OVERFLOW.

To prolong the service life of the DOSATRON, it is advisable to fit an upstream filter (e.g. 130 microns - 120 mesh depending on your water quality).

This precaution is essential if the water contains impurities or particles, especially if the water comes from a well or it is surface water.

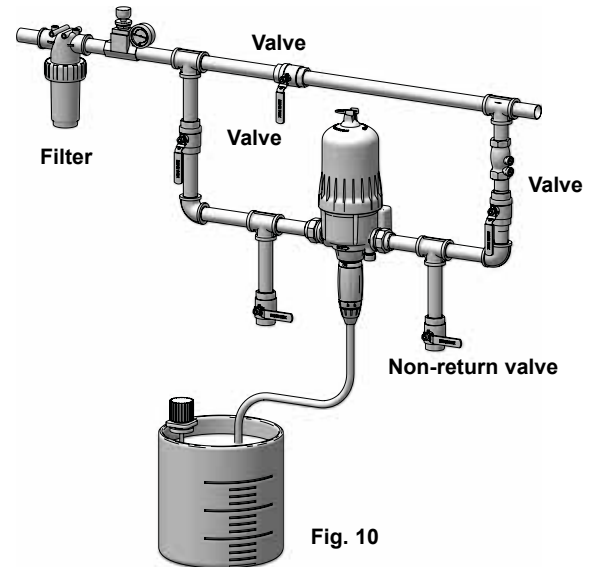


Fig. 10

## INSTALLATION TIPS (continued)

The filter is recommended and required for the warranty to be valid.

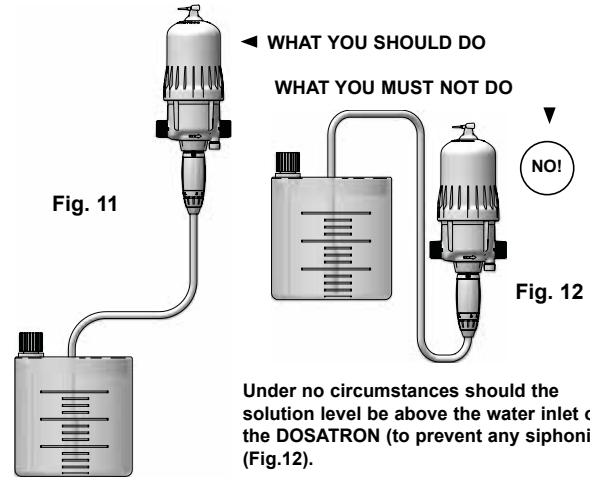
For any installation on the drinking water supply line, respect the standards and regulations in force in the country.

### OVERFLOW (as an indication)

If your DOSATRON clicks more than **44 times in 15 seconds**, (i.e. 22 cycles) you are at the upper flow capacity limit. Beyond this select a DOSATRON with a higher water flow capacity.

## INSTALLATION TIPS (continued)

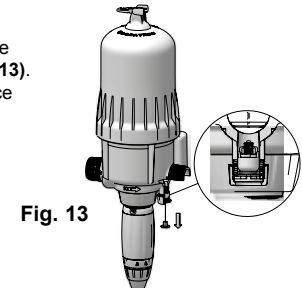
**IMPORTANT!** Leave the strainer about 10 cm [4"] from the bottom of the container of solution in order to prevent insoluble particles from being aspirated. They may damage the dosing pump body. The strainer must not rest on the bottom of the container.



Under no circumstances should the solution level be above the water inlet on the DOSATRON (to prevent any siphoning) (Fig.12).

## AUTOMATIC PRODUCT ANTI-SIPHONING SYSTEM

- Automatically restores atmospheric pressure within the installation in case of accidental depressurisation\* (Fig. 13).
- When putting the machine into service the machine, remove the red cap.



\* Example: where the dosing pump outlet is lower than the inlet.

# Putting the DOSATRON into service

## PUTTING INTO SERVICE FOR THE FIRST TIME

- Put the by-pass on "On".
- Open the water inlet slowly, the Dosatron is self-priming.
- Operate the DOSATRON until the product to be dosed rises in the dosing part (the product is visible through the plastic hose).
- The Dosatron makes a characteristic "click-clack" noise when working.

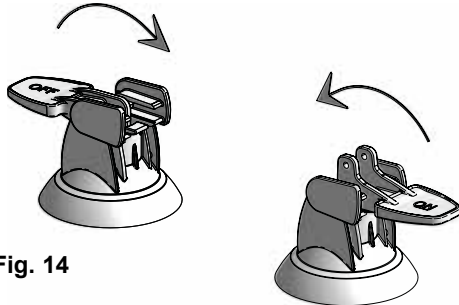


Fig. 14

The DOSATRON is fitted with a by-pass function in its upper part as standard:

- By-pass set to ON, the DOSATRON works and the concentrate is drawn up.
- By-pass set to OFF, the DOSATRON is stopped and does not draw up the product.

**NOTE:** The time required to prime the dosed solution depends on the flow-rate, the ratio setting and the length of the suction tube. To accelerate the priming, set the dosing at maximum.

Once the DOSATRON is primed, drop the pressure to zero and adjust to the required dosing value (see § ADJUSTING THE DOSING).

## USE

The device is designed to operate with fluids the temperature of which must not exceed 40 °C or 104 °F (engine fluid, additive, mixture engine fluid/additive). If the installation is subject to operating at temperatures lower than 5 °C (41 °F), protect the installation from frost (see precautions in the instructions). The dosing pumps are designed for use at up to 8 bars (116 psi). The installation must be protected against any overpressure risk. The installation must also be sized to avoid any hydraulic oscillatory phenomenon (water hammer). If necessary, a water hammer protection device should be fitted.

## ADJUSTING THE DOSING (unpressurised)

**IMPORTANT!** Do not use tools.

Dosing adjustment must be carried out unpressurised

- Turn off the water inlet and allow the pressure to drop to zero.
- Unscrew the dosing locking nut (Fig. 15)
- Screw or unscrew the dosing adjustment sleeve so that the 2 display eyelet dots are facing the desired dosing marker (Fig. 16).
- Retighten the dosing locking nut (Fig. 17)

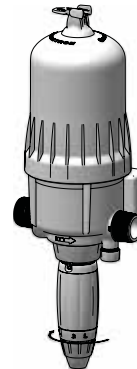


Fig. 15

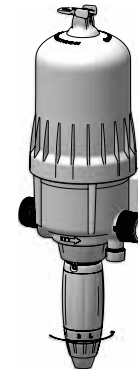


Fig. 16

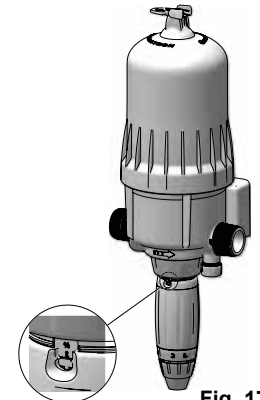


Fig. 17

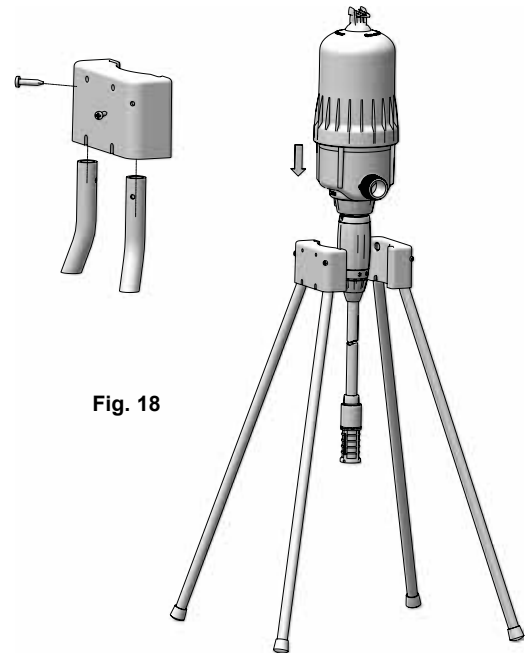
## DOSING PRINCIPLE

Principle: Adjustment at 1% -  $1/100 = 1$  volume of concentrate to 100 volumes of water.

## FEET OPTIONS

If necessary, or if a wall installation is impossible, the D9 series Dosatron may be installed on feet using Kit 8EQ001:

- Insert each foot in the corresponding holes on the bracket supplied with the dosing pump and the bracket included in the kit
- Secure each foot using the 4 screws supplied.
- Engage the DOSATRON dovetails into each bracket fitted with 2 feet.



**Fig. 18**

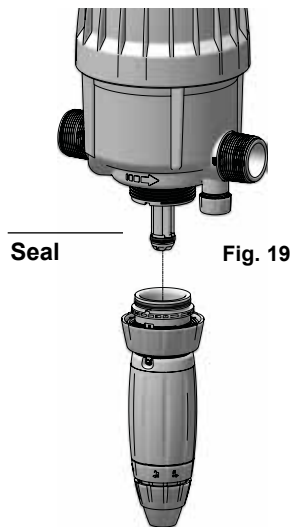
# Maintenance

Before performing any maintenance on the DOSATRON, please make sure you refer to the § PRECAUTIONS.

## RECOMMENDATIONS

1 - When you use soluble products in solution it is recommended that the entire dosing part be dismantled periodically (see: § CLEANING THE SUCTION VALVE, § CHANGING THE DOSING SEALS). Rinse the dosing part elements thoroughly in clean water. Reassemble them having previously lubricated the located seal (Fig.19) with a silicone lubricant.

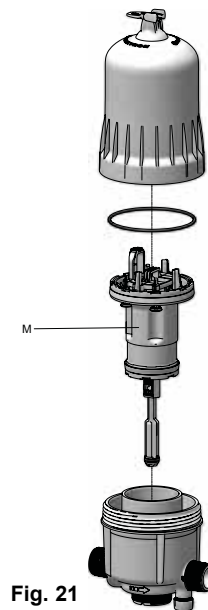
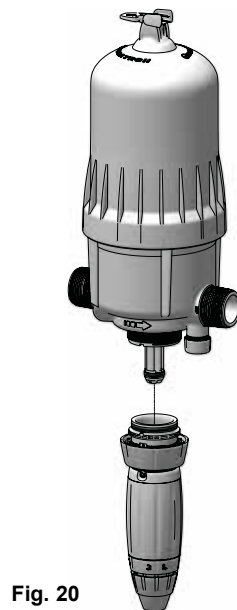
2 - Before putting the DOSATRON back into service, at the start of the period of use remove the motor piston and soak it in lukewarm water (<40°C) for several hours. This helps to remove any deposits which may have dried onto the motor piston.



## DRAINING THE DOSATRON (in the context of keeping it frost-free)

For complete maintenance of the DOSATRON, or to protect it from frost, draining may be necessary.

- Turn off the water inlet and allow the pressure to drop to zero.
- Remove the dosing part (§ DISMANTLING/REFITTING THE DOSING PART).
- Unscrew the top and take out the motor.
- Disconnect the connections at the water inlet and outlet.
- Empty the main body after having removed it from the mounting bracket.
- Refit, having first cleaned the motor cover seal.



## DISMANTLING THE SUCTION HOSE

Before performing any maintenance on the DOSATRON, please make sure you refer to the § PRECAUTIONS.

Before dismantling, and to avoid any contact with the dosed products, operate the DOSATRON by aspirating clear water to rinse the hose and the dosing part.

- Unscrew the nut at the bottom of the dosing part (2% version, Fig. 22) or the tightening clamp (5% version, Fig. 23)

- Pull downwards to remove the hose from the suction valve head.

- Reassemble in the reverse order. If necessary, consult § CONNECTING THE SUCTION HOSE.

Fig. 22

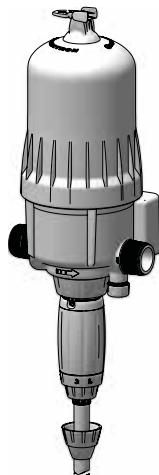
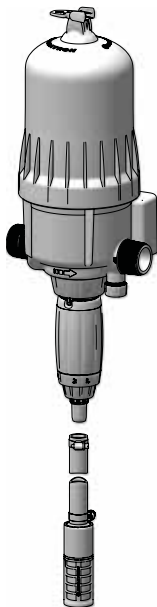


Fig. 23



## DISMANTLING/REFITTING THE DOSING PART

Before performing any maintenance on the DOSATRON, please make sure you refer to the § PRECAUTIONS. Before dismantling, and to avoid any contact with the products dosed,

operate the DOSATRON by aspirating clear water to rinse the dosing part.

- Close the water inlet and let the pressure drop to zero.

- Remove the suction hose (see § DISMANTLING THE SUCTION HOSE)

- Completely unscrew the fixing nut on the dosing part - Pull downwards to remove the dosing part (Fig. 24).

- Before refitting, position the dosing part depending on the desired scale (percentage or ratio).

- Insert the dosing body into the pump body taking care to align the centring pins (Fig. 25). If necessary, to see the pins better, unscrew the dosing adjustment sleeve as far as the middle of its travel.

- Manually retighten the fixing nut on the dosing part

Fig. 24

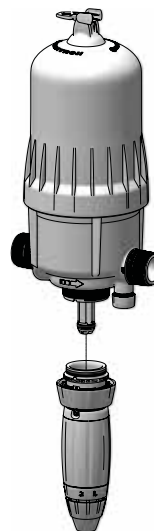


Fig. 25



## CHANGING SEALS IN THE DOSING PART

Frequency: At least once per year.

Contact DOSATRON, or a dealer to select the appropriate seal kit for your dosing pump.

For dismantling the dosing part, follow the instructions in the § DISMANTLING/REFITTING THE DOSING PART.

**IMPORTANT!** Do not use tools or metal utensils.

Replace the dosing piston seal:"

- Between finger and thumb, pinch the component and the seal; push towards the other side to distort the seal.

- Increase the distortion to grip the part of the seal which overlaps and then pull it out of its groove.

"- Clean the seal seating without any tools.

- Refitting is done by hand. It is very important that the seal is not twisted once in place as this would impair its watertightness.

"Replace the dosing body O-ring (Fig.26a):

- Apply the method explained above:"

"Replace the suction valve

- Unscrew the suction valve locking nut (Fig 26c)"

"- Release the suction valve by pulling it into the axis of the dosing part"

"Replace the dosing pump body O-ring (Fig 26d)

- Completely unscrew the dosing locking nut" (Fig 26b)

- Release the snap ring by spreading the ears.

- Extract the dosing pump body by pushing it through the dosing body

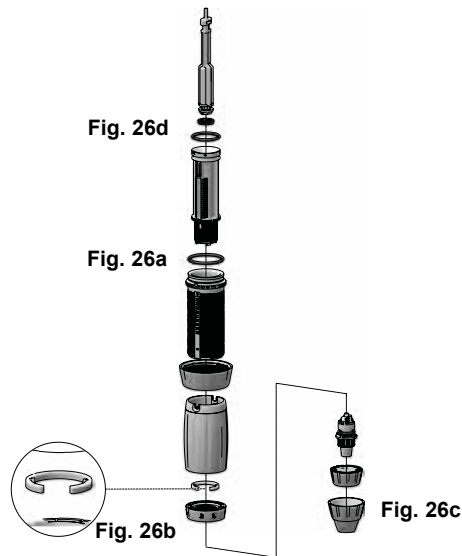
- Replace the dosing pump body O-ring following the method described above.

- Refit the dosing pump body into the dosing body using the centring pins.

- Refit the snap ring so that it is positioned in the groove provided for this.

- Retighten the dosing locking nut completely.

- Finish by refitting the suction valve and its locking nut.



## DISMANTLING/REFITTING THE DOSING PISTON

Before performing any maintenance on the DOSATRON, please make sure you refer to the § PRECAUTIONS.

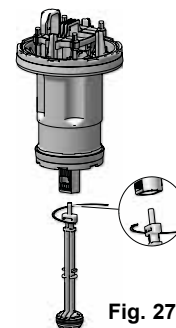
Before dismantling, and to avoid any contact with the products dosed, operate the DOSATRON by aspirating clear water to rinse the dosing part.

- Turn off the water inlet and allow the pressure to drop to zero.

- For dismantling the dosing part, follow the instructions in the § DISMANTLING/REFITTING THE DOSING PART.

- Turn the dosing piston through a quarter turn anti-clockwise to unlock it and release it from the piston motor.

- Refit in the reverse order.





## CLEANING AND REFITTING THE SUCTION VALVE

Before any maintenance on the DOSATRON, it is essential to refer to the § PRECAUTIONS.

Before dismantling, and to avoid any contact with the products dosed, operate the DOSATRON by aspirating clear water to rinse the dosing part.

- Turn off the water inlet and allow the pressure to drop to zero.
- Remove the suction hose (see § DISMANTLING THE SUCTION HOSE)
- Unscrew the suction valve locking nut (Fig. 27)
- Release the suction valve by pulling it into the axis of the dosing part
- Thoroughly rinse the various parts of the valve using clear water.
- Refit following the order and position in the diagram (Fig. 28).

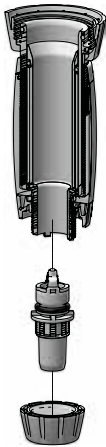


Fig. 27

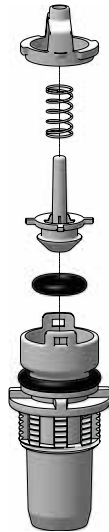


Fig. 28

## CHANGING THE MOTOR PISTON (unpressurised)

Before performing any maintenance on the DOSATRON, please make sure you refer to the § PRECAUTIONS.

Before dismantling, and to avoid any contact with the products dosed, operate the DOSATRON by aspirating clear water to rinse the dosing part.

- Turn off the water inlet and allow the pressure to drop to zero.
- Unscrew the cover manually (Fig. 29) and remove it.
- Remove the motor piston assembly by pulling upwards.
- The rod and plunger piston follow the motor piston upwards.
- Change and refit the assembly in the reverse order to dismantling.
- Refit the cover taking care not to damage its seal and screw it manually.

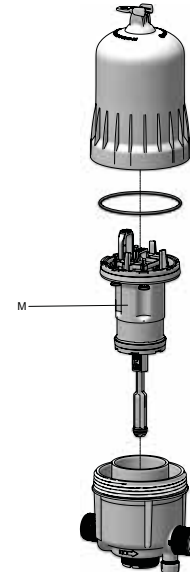


Fig. 29

# Troubleshooting

SYMPTOM	CAUSE	SOLUTION
<b>Motor piston</b>		
DOSATRON does not start or stops	Motor piston blocked.	Restart the motor piston by hand.
	Presence of air in the DOSATRON.	Bleed air by purging.
	Overflow.	1. Reduce flow, restart. 2. Check there are motor valve seals.
	Motor piston is broken.	Return the DOSATRON to your distributor.
<b>Dosing</b>		
Water flowing back into the product tank.	Suction valve or valve seal dirty, worn or absent.	To be cleaned or replaced.
No suction of product.	The motor piston has stopped working.	See <b>TroubleshootingMotor piston</b> .
	Air tightness problem in the suction hose.	Check the suction hose and the tightening of its nuts.
	Suction hose obstructed or strainer blocked.	Clean or replace them.
	Suction valve seal worn, wrongly fitted or clogged.	Clean it or replace it.
	Plunger seal wrongly fitted, clogged or swollen.	Clean it or replace it.
	Dosing pump body scratched.	Replace it.

SYMPTOM	CAUSE	SOLUTION
<b>Dosing</b>		
Under-dosing	Airtightness problem.	1. Check the tightness of the dosing part nuts. 2. Check the condition of the suction hose.
	Suction valve seal worn or dirty.	Clean it or replace it.
	Overflow (cavitation)	Reduce flow.
	Plunger seal worn	Replace it.
	Dosing pump body scratched	Replace it.
<b>Leaks</b>		
Leaks near the fixing nut under the pump body.	Dosing body seal damaged, wrongly positioned or absent.	Position it correctly or replace it.
Leaks between the dosing adjustment sleeve and the dosing locking nut.	Dosing pump body seal damaged, wrongly positioned or absent.	Position it correctly or replace it.
Leaks between the body and top.	Top seal damaged, fitted incorrectly or absent	Position it correctly, clean seal seating or replace it.

**DOSATRON INTERNATIONAL  
DECLINES ALL RESPONSIBILITY  
IN THE EVENT OF USE THAT IS NOT COMPLIANT  
WITH THE INSTRUCTIONS FOR USE.**

# Limited Warranty

DOSATRON INTERNATIONAL S.A.S. agrees to replace any part recognised to be defective originally for a period of twelve months from the date of purchase by the initial purchaser.

To obtain the replacement under the warranty, the appliance or spare part must be returned with proof of initial purchase to the manufacturer or authorized distributor.

It may be recognised as defective after examination by the technical services of the manufacturer or distributor.

The appliance must be rinsed to remove any chemicals and sent to the manufacturer or to the distributor with postage paid, then it will be returned free of charge after repair if it is covered by the warranty.

The purpose of operations carried out under the warranty may not be to extend the lifetime.

This warranty applies only to manufacturing defects.

This warranty does not cover defects found to be due to abnormal

installation of the appliance, inappropriate use of tools, lack of maintenance or defective installation or environmental accidents or corrosion by foreign bodies and liquids found within or in proximity to the appliance.

For the dosing of aggressive products, please consult your vendor before any use to confirm compatibility with the dosing pump.

The seals (wearing parts) are not covered under warranty, nor is damage caused by water impurities such as sand.

A filter (e.g. 130 microns - 120 mesh depending on your water quality) must be installed upstream of the appliance to be valid.

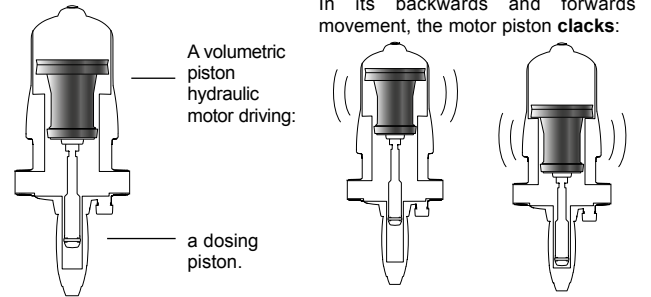
DOSATRON INTERNATIONAL S.A.S. declines any responsibility if the appliance is not used in compliance with the recommendations and tolerances in the owner's manual.

There is no explicit or implicit guarantee relating to other products or accessories used with DOSATRON INTERNATIONAL S.A.S appliances.

## KNOW YOUR FLOW

### A SIMPLE METHOD

THE DOSATRON IS COMPOSED OF:



2 clacks =  
1 motor cycle =  
1 motor capacity

The speed of the motor is proportional to the flow of water passing through the appliance.

■ **Calculation of water flow in litres/hour =**

$$\text{Number of clacks in 15 seconds} = x \text{ (2) } \times 4 \times 60 \times 1.7$$

2 clacks = 1 cycle — (2)

Calculation for 1 minute

Motor capacity in litres

Calculation for 1 hour

■ **Calculation of water flow in gallons per minute =**

$$\text{Number of clacks in 15 seconds} = x \text{ (2) } \times 4 \times 1.7 \times 3.8$$

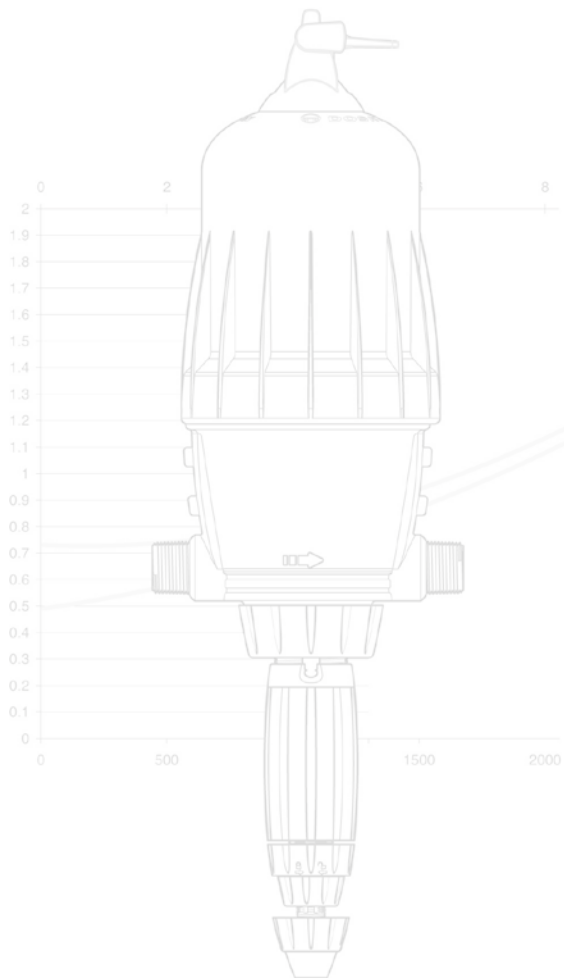
2 clacks = 1 cycle — (2)

Calculation for 1 minute

Conversion litres to gallons

Motor capacity in litres

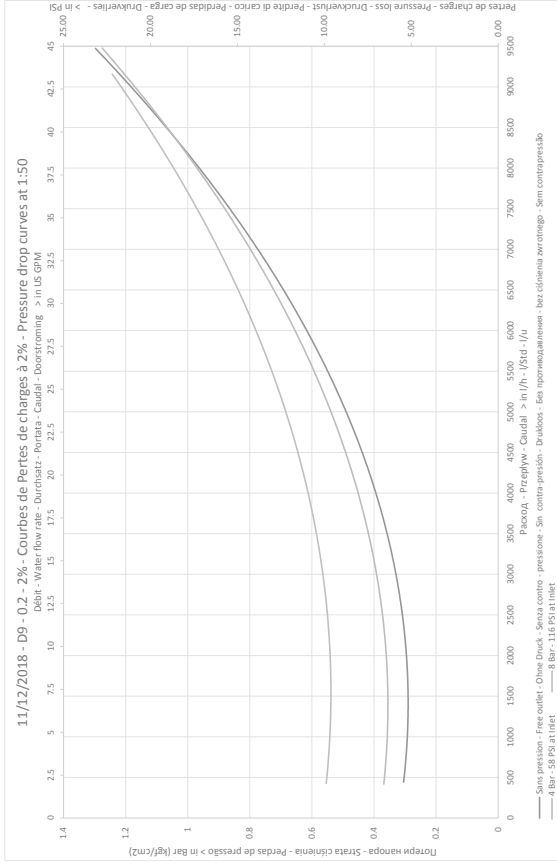
**NOTE:** This method of calculation cannot replace a flow meter. It is given only as an approximate guide.



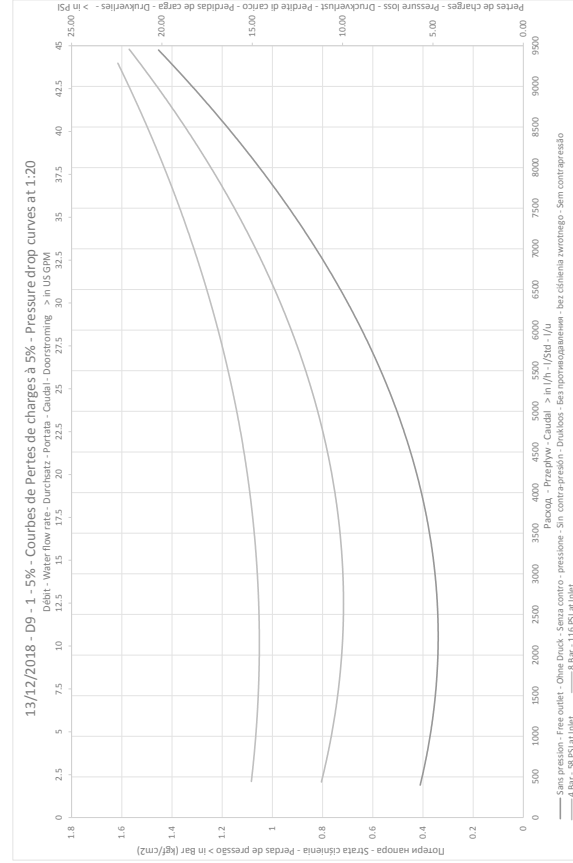
# Enclosure Curves

# Pressure loss

D9 2%



D9 5%





This document does not form a contractual engagement on the part of DOSATRON INTERNATIONAL and is for information only. The company DOSATRON INTERNATIONAL reserves the right to alter product specification or appearance without prior notice.

**CE Conformity Statement**  
**Document N° DOCE06050103**  
**This Dosatron is in compliance with the European Directive 2006/42/CE. This declaration is only valid for countries of the European Community (CE).**