



DOSATRON®

WATER POWERED DOSING TECHNOLOGY



D14MZ3000 - 14 GPM INTERACTIVE SCHEMATICS

UNIT SPECIFICATIONS

- 1:3000 - 1:333
- 4.3 - 85 PSI
- 3/4" NPT Connection

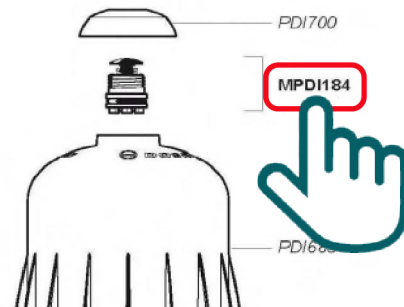
SUGGESTED INSTALLATION

- 200 mesh/80 micron water filter prior to the unit
- One-way check valve down-stream from the unit for water hammer protection

SUGGESTED MAINTENANCE

- Mini-Maintenance Kit
Part #: [PJDI139MINI](#)
For regular maintenance
- Injection Seal Kit
Part #: [PJDI139](#)
For yearly maintenance
- Rebuild Kit
Part #: [MKD14MZ3000](#)
Extends the life of your unit
- Piston Flange Kit
Part #: [PPDI034](#)

DOCUMENT INSTRUCTIONS

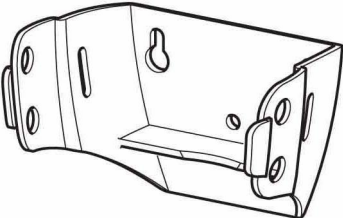
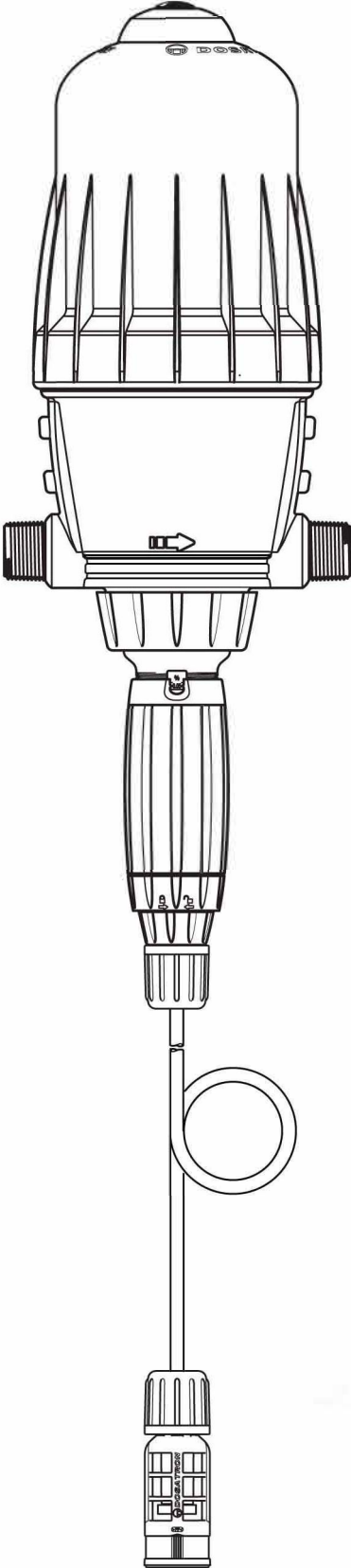


- Click on a part #, to visit item page
- Click arrow back from item page, to return to this document



D14MZ3000

14 GPM - 1:333 - 1:3000
3 m³/h - 0.3 - 0.03%
4.3 - 85 psi
0.3 - 6 bar

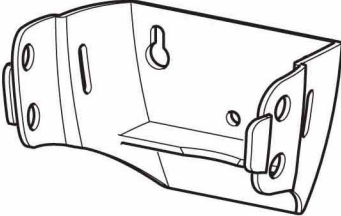
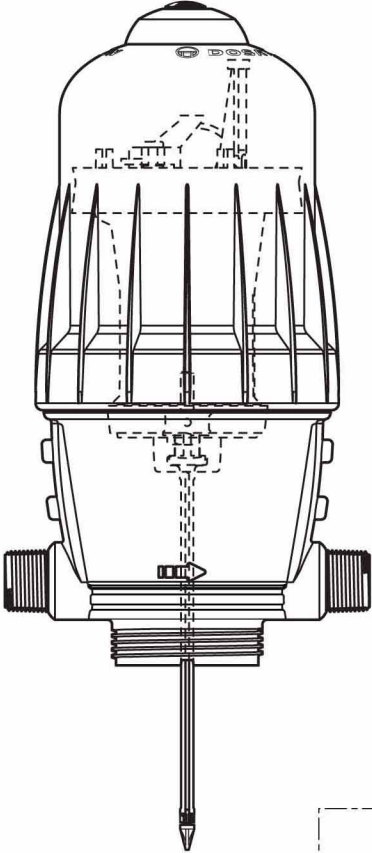


© DOSATRON INTERNATIONAL S.A.S. 2010
D14MZ3000/0410/D1

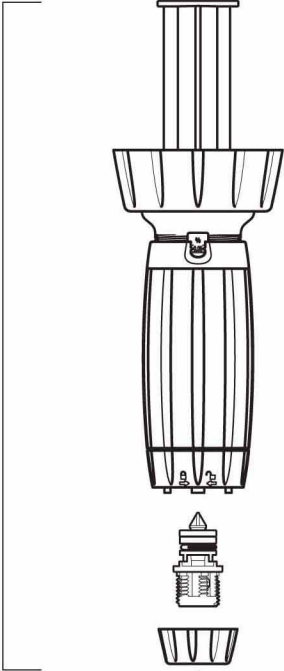
D14MZ3000

14 GPM - 1:333 - 1:3000
3 m³/h - 0.3 - 0.03%
4.3 - 85 psi
0.3 - 6 bar

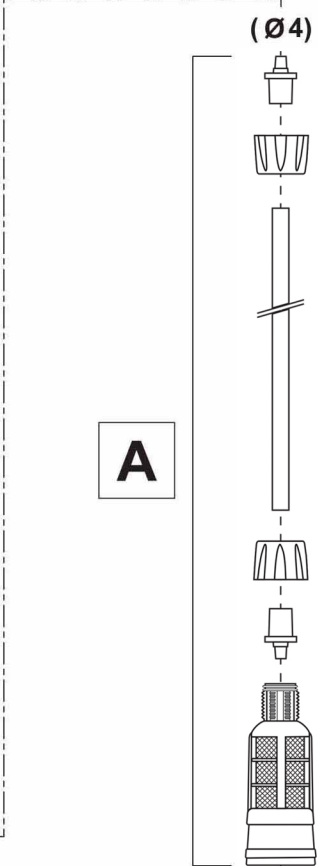
C+M



D



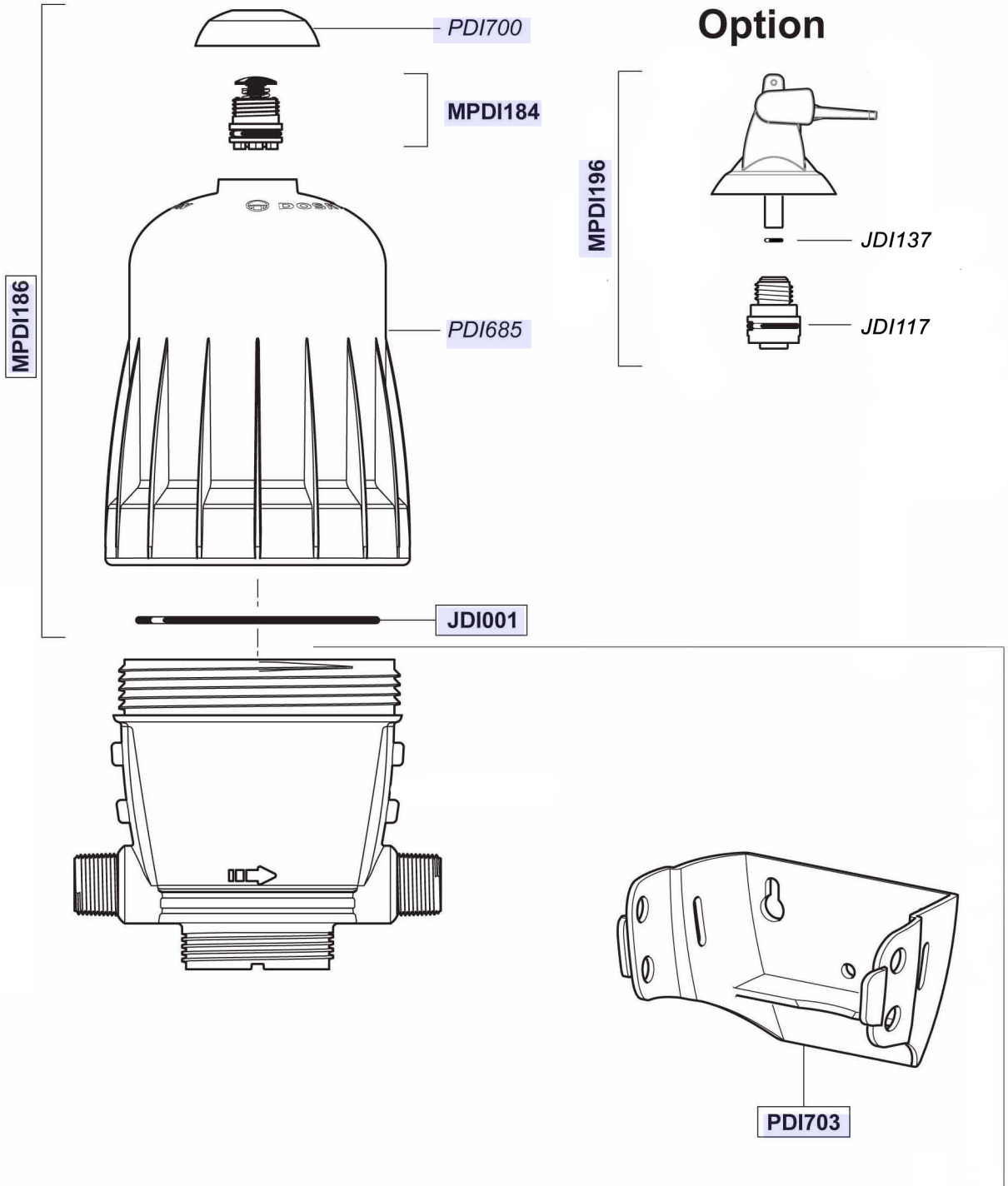
A



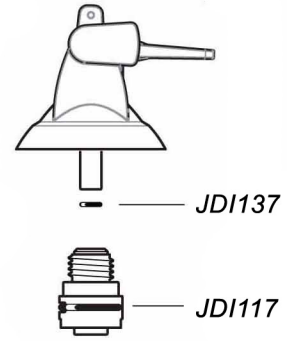
© DOSATRON INTERNATIONAL S.A.S. 2010
D14MZ3000/0410/D2

D14MZ3000

14 GPM - 1:333 - 1:3000
3 m³/h - 0.3 - 0.03%
4.3 - 85 psi
0.3 - 6 bar

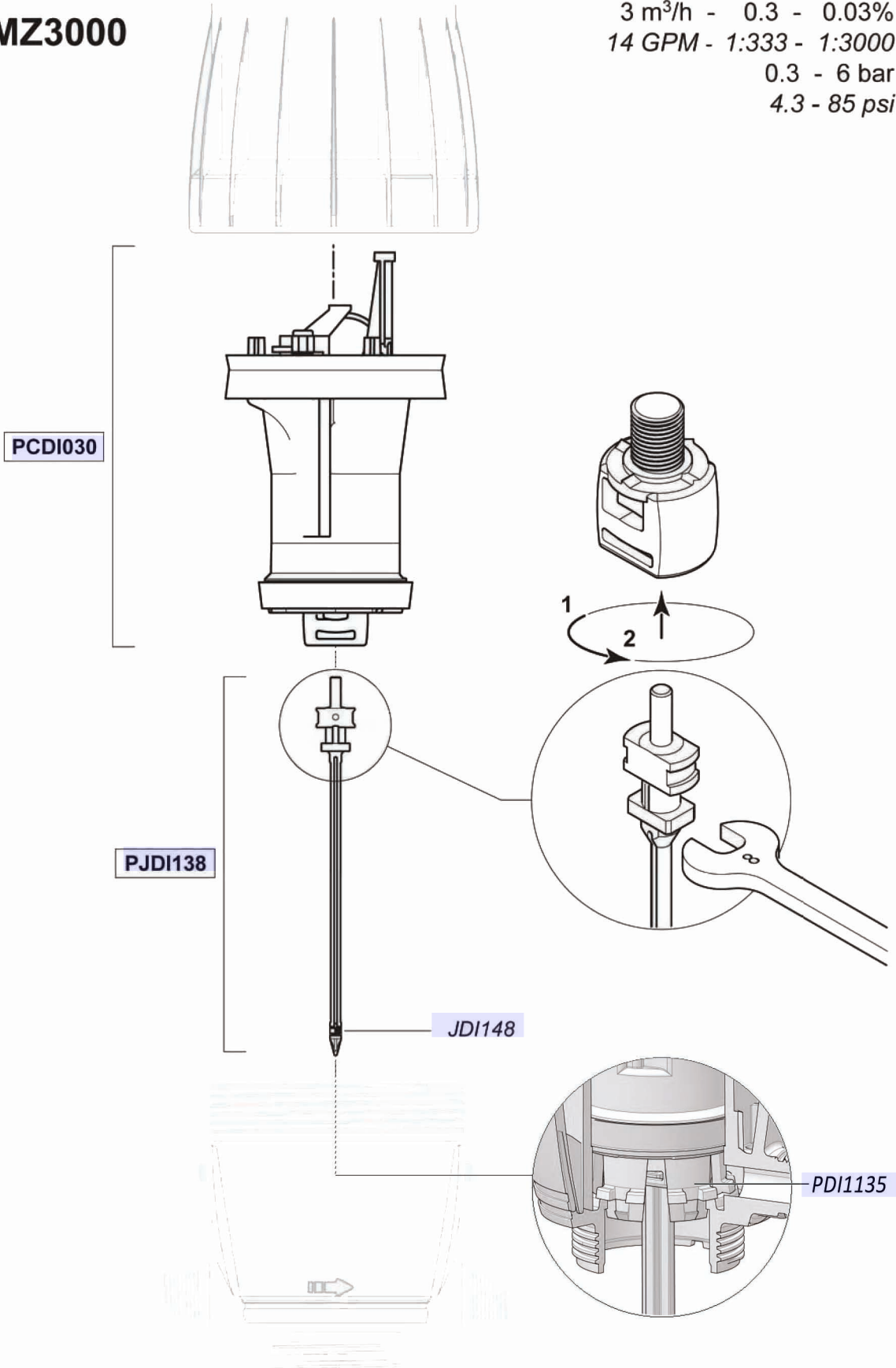


Option



D14MZ3000

3 m³/h - 0.3 - 0.03%
14 GPM - 1:333 - 1:3000
0.3 - 6 bar
4.3 - 85 psi



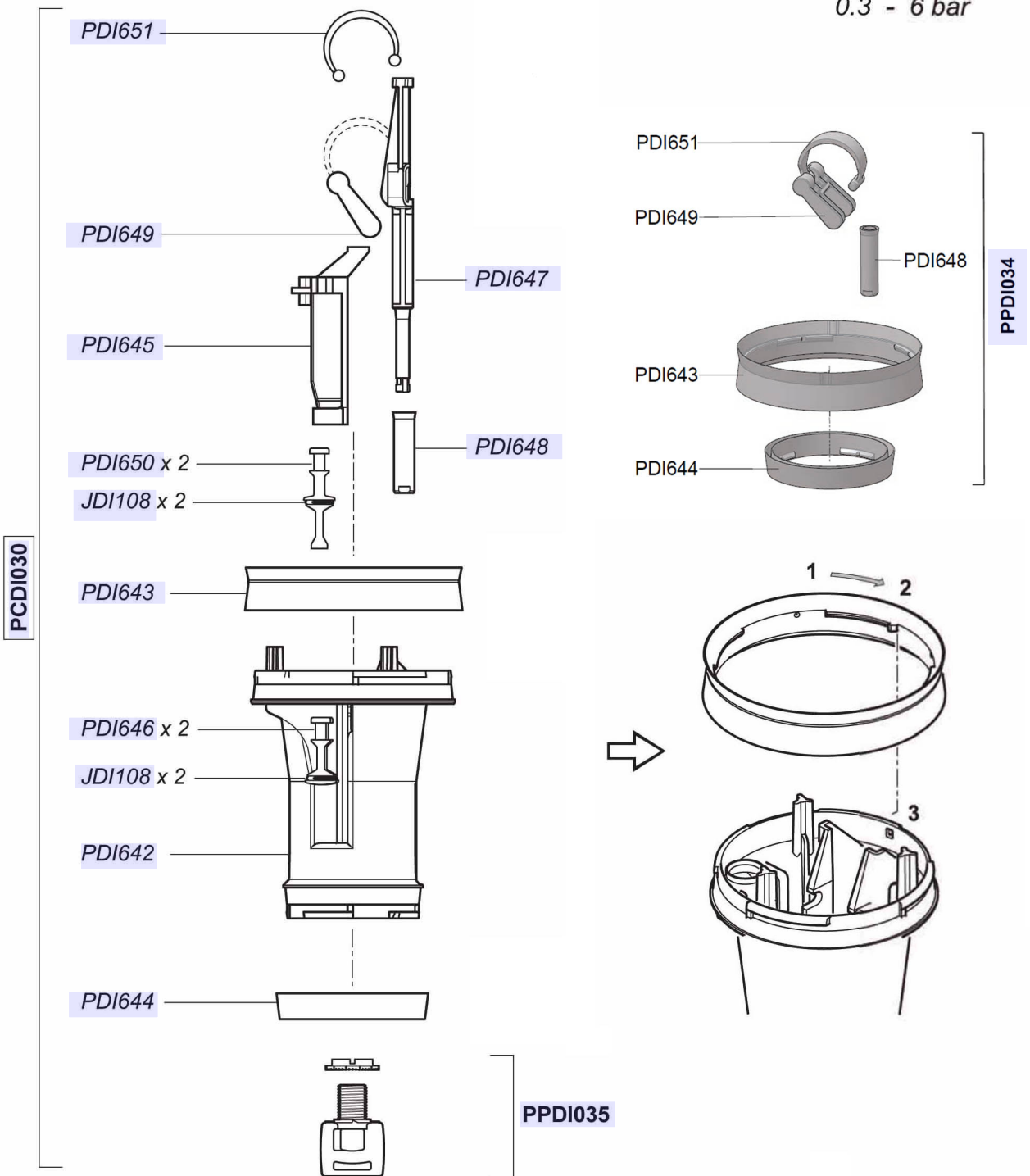
D14MZ3000

14 GPM - 1:333 - 1:3000

3 m³/h - 0.3 - 0.03%

4.3 - 85 psi

0.3 - 6 bar

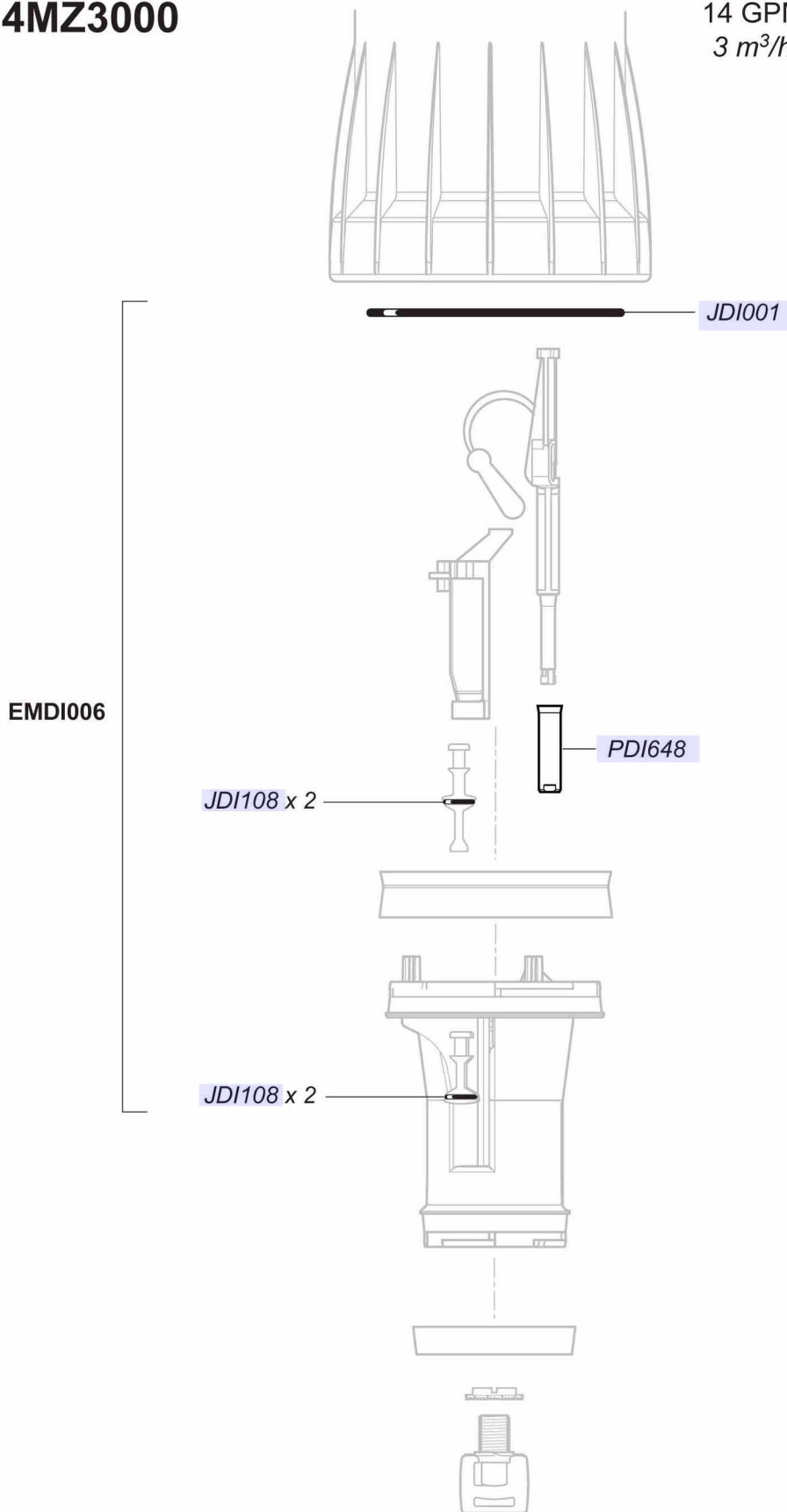


© DOSATRON INTERNATIONAL S.A.S. 2010
D14MZ3000/04/10/D5



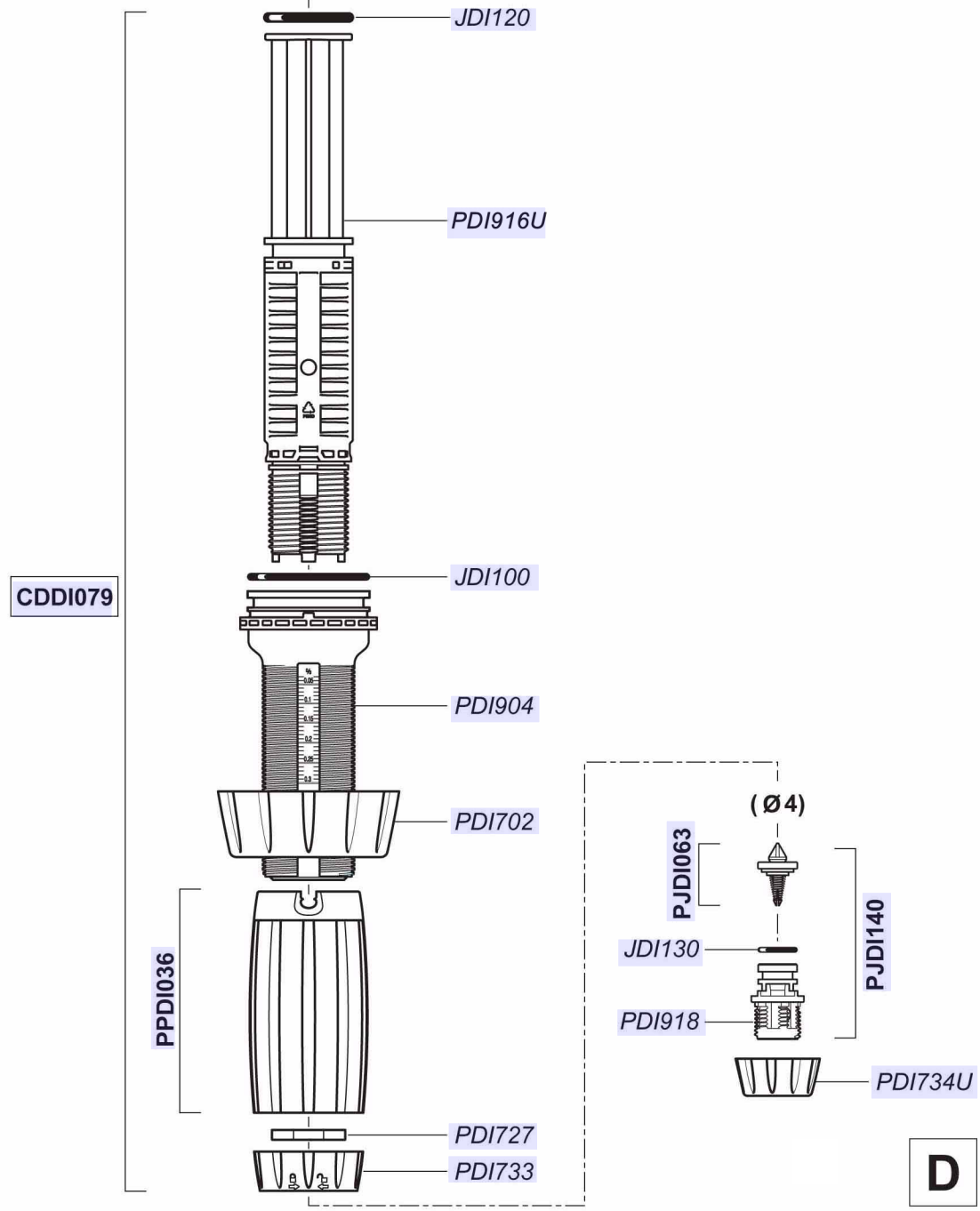
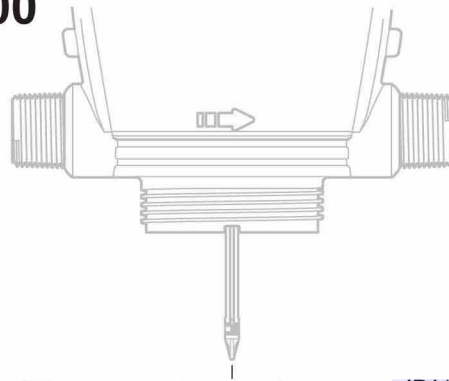
D14MZ3000

14 GPM - 1:333 - 1:3000
3 m³/h - 0.3 - 0.03%
4.3 - 85 psi
0.3 - 6 bar



D14MZ3000

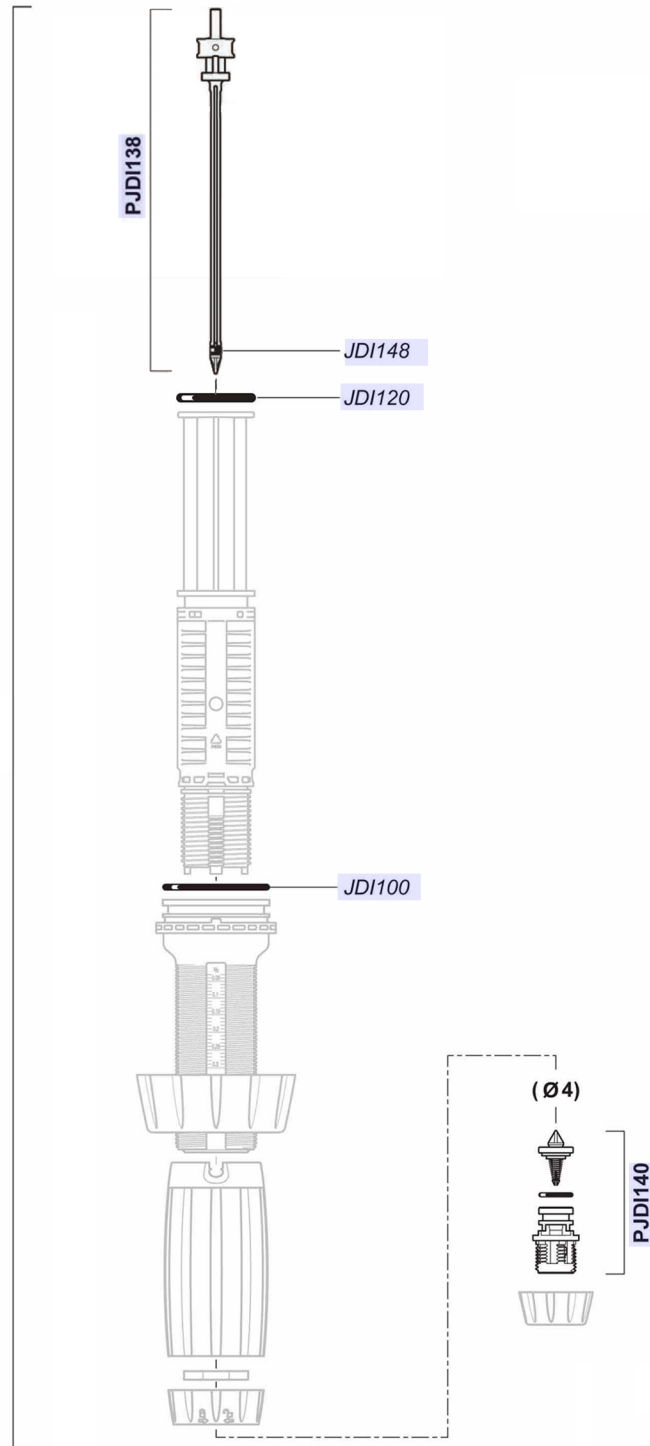
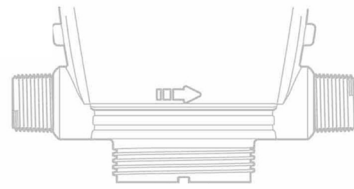
14 GPM - 1:333 - 1:3000
 3 m³/h - 0.3 - 0.03%
 4.3 - 85 psi
 0.3 - 6 bar



© DOSATRON INTERNATIONAL S.A.S. 2010
 D14MZ3000/04/10/D7

D14MZ3000

14 GPM - 1:333 - 1:3000
3 m³/h - 0.3 - 0.03%
4.3 - 85 psi
0.3 - 6 bar

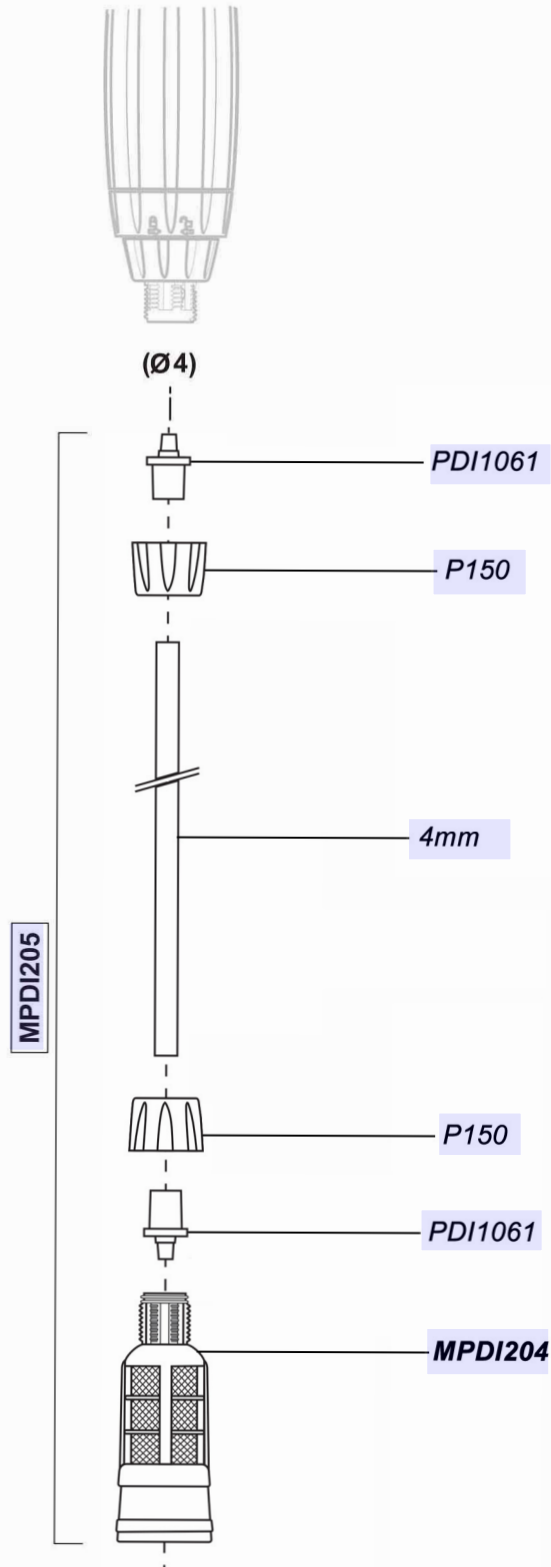


© DOSATRON INTERNATIONAL S.A.S. 2010
D14MZ3000/0410/D8

D

D14MZ3000

14 GPM - 1:333 - 1:3000
3 m³/h - 0.3 - 0.03%
4.3 - 85 psi
0.3 - 6 bar



© DOSATRON INTERNATIONAL S.A.S. 2010
D14MZ3000/0410/D9

A