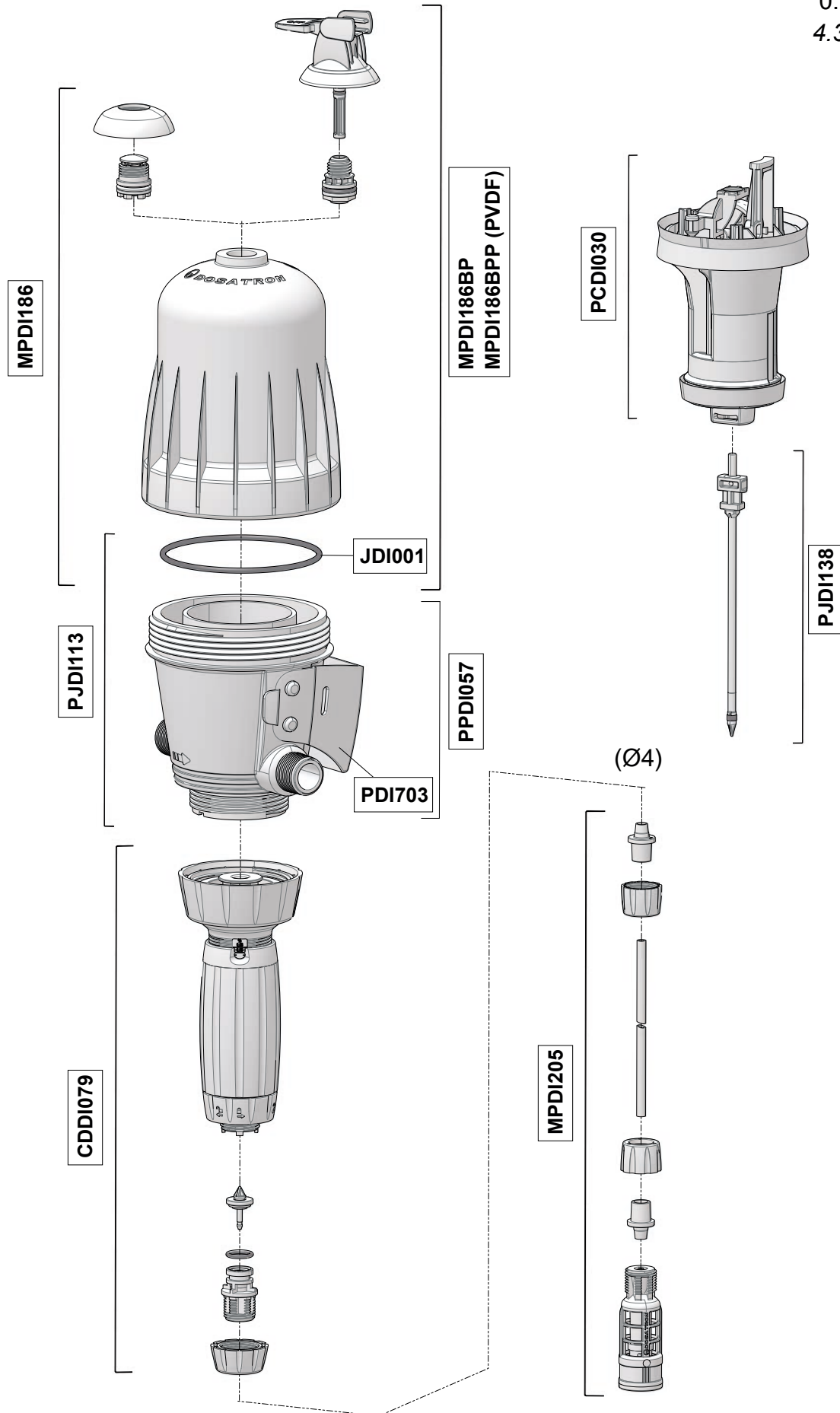


# D3 0.03 - 0.3%

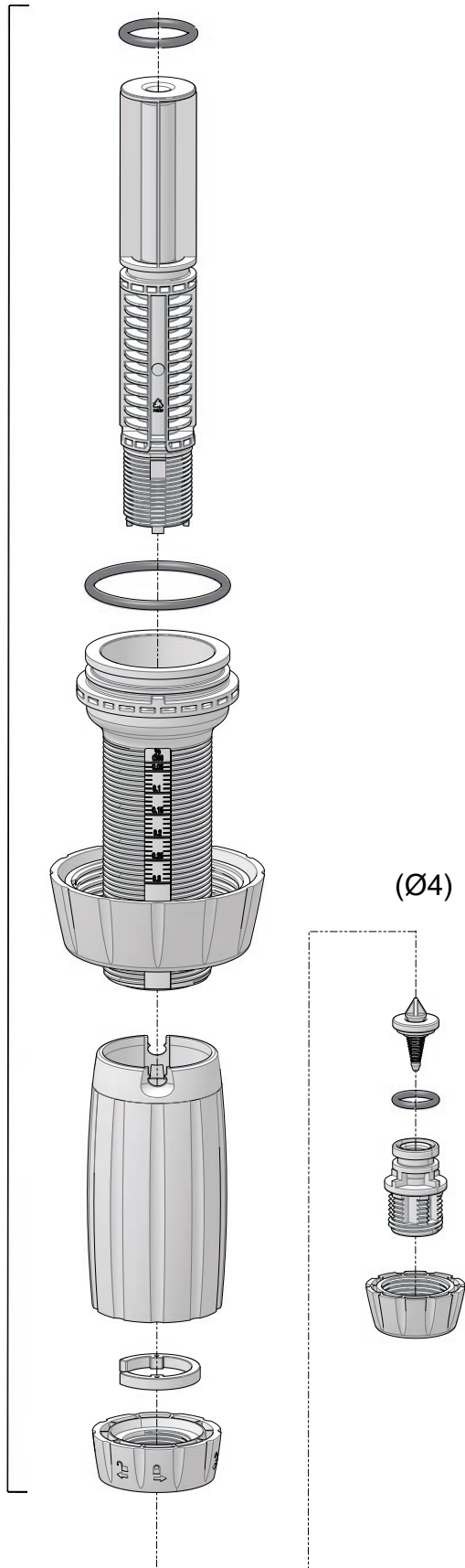
3m<sup>3</sup>/h - 0.03 - 0.3%  
 14 GPM - 1:3000 - 1:333  
 0.3 - 6 bar  
 4.3 - 85 psi



# D3 0.03 - 0.3%

3m<sup>3</sup>/h - 0.03 - 0.3%  
14 GPM - 1:3000 - 1:333  
0.3 - 6 bar  
4.3 - 85 psi

CDDI079



PJD1139

