



# DOSATRON®

An Ingersoll Rand Business



## D14MZ5-D - 14 GPM INTERACTIVE SCHEMATICS

### UNIT SPECIFICATIONS

- 1:200 - 1:20
- 4.3 - 85 PSI
- 3/4" NPT Connection

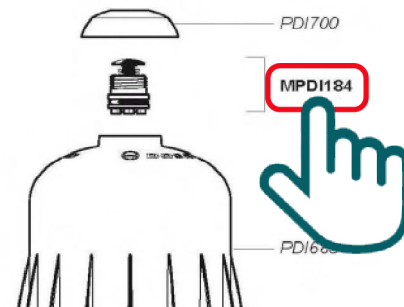
### SUGGESTED INSTALLATION

- 200 mesh/80 micron water filter prior to the unit

### SUGGESTED MAINTENANCE

- Injection Seal Kit  
Part #: [PJDI120](#)  
For yearly maintenance
- Injection Seal Kit - for Viscous  
Part #: [PJDI120V](#)  
For yearly maintenance
- Rebuild Kit  
Part #: [MKD14MZ5](#)  
Extends the life of your unit
- Piston Flange Kit  
Part #: [PPDI034](#)

### DOCUMENT INSTRUCTIONS

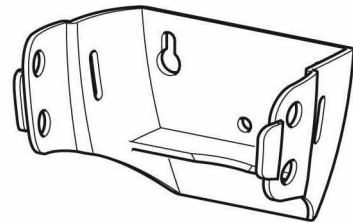
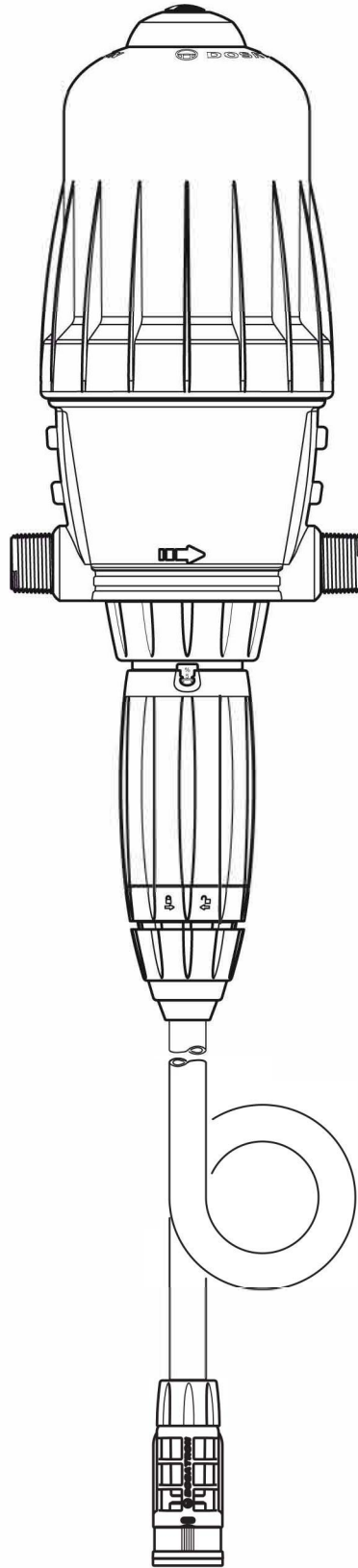


- Click on a part #, to visit item page
- Click arrow back from item page, to return to this document



**D14MZ5-D**  
**Vehicle Wash**

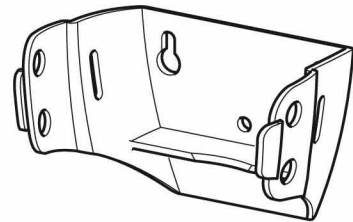
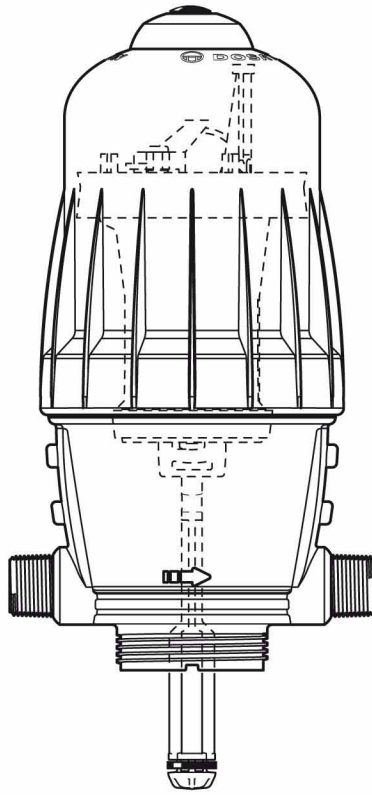
14 GPM - 1:200 - 1:20  
3 m<sup>3</sup>/h - 0.5 - 5 %  
4.3 - 85 psi  
0.3 - 6 bar



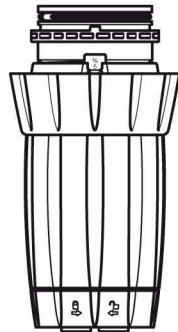
**D14MZ5-D**  
**Vehicle Wash**

14 GPM - 1:200 - 1:20  
3 m<sup>3</sup>/h - 0.5 - 5 %  
4.3 - 85 psi  
0.3 - 6 bar

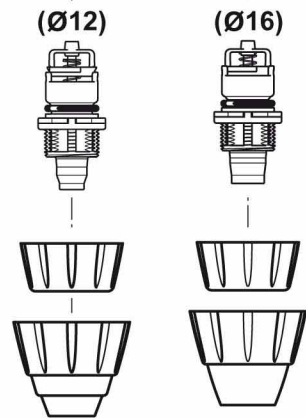
**C+M**



**A**

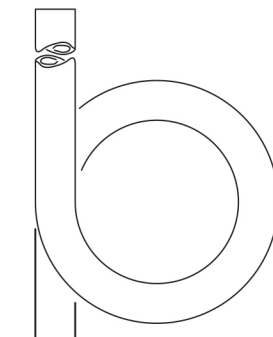
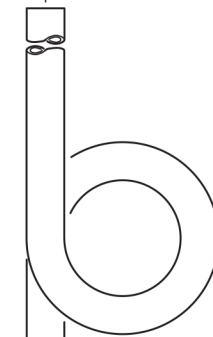


**D**



(Ø12)

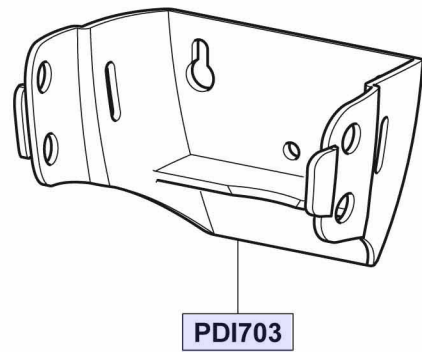
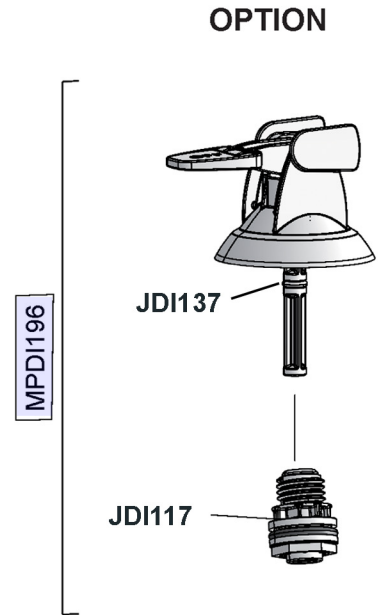
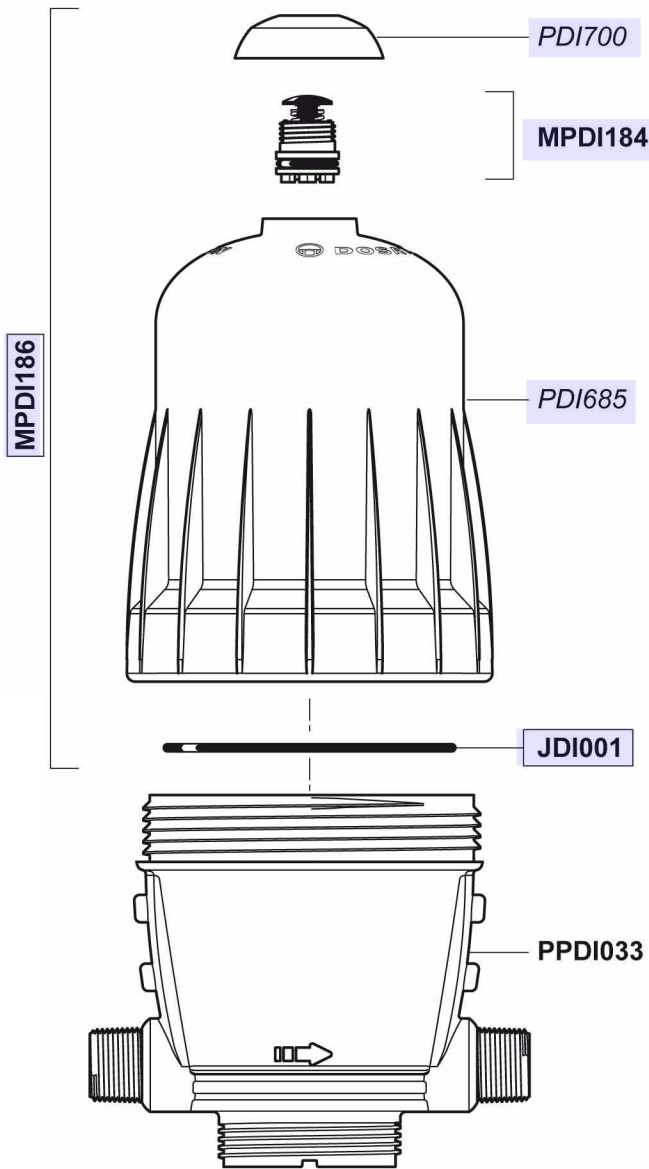
(Ø16)



**Option "V"**

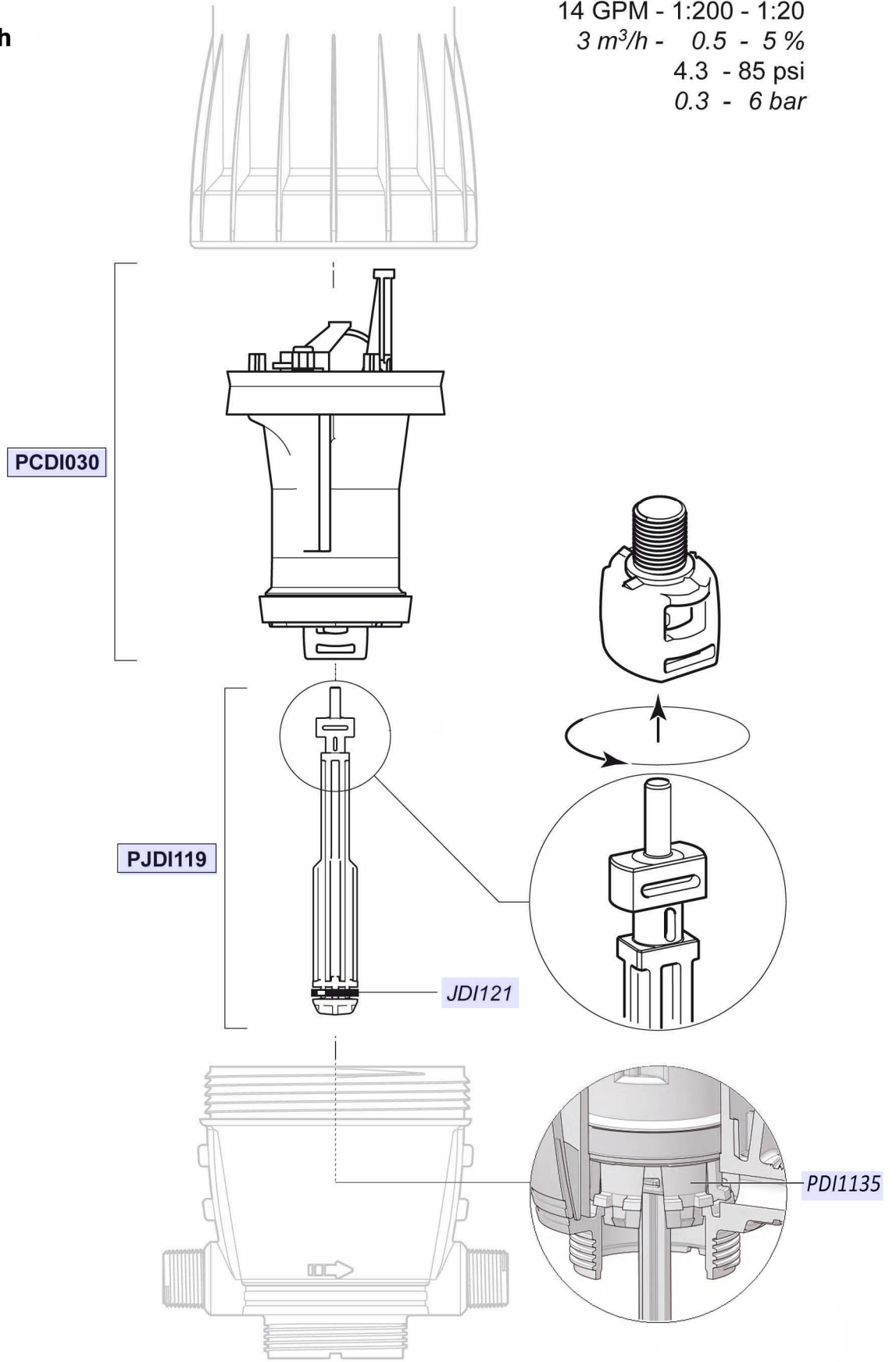
**D14MZ5-D**  
**Vehicle Wash**

14 GPM - 1:200 - 1:20  
3 m<sup>3</sup>/h - 0.5 - 5 %  
4.3 - 85 psi  
0.3 - 6 bar



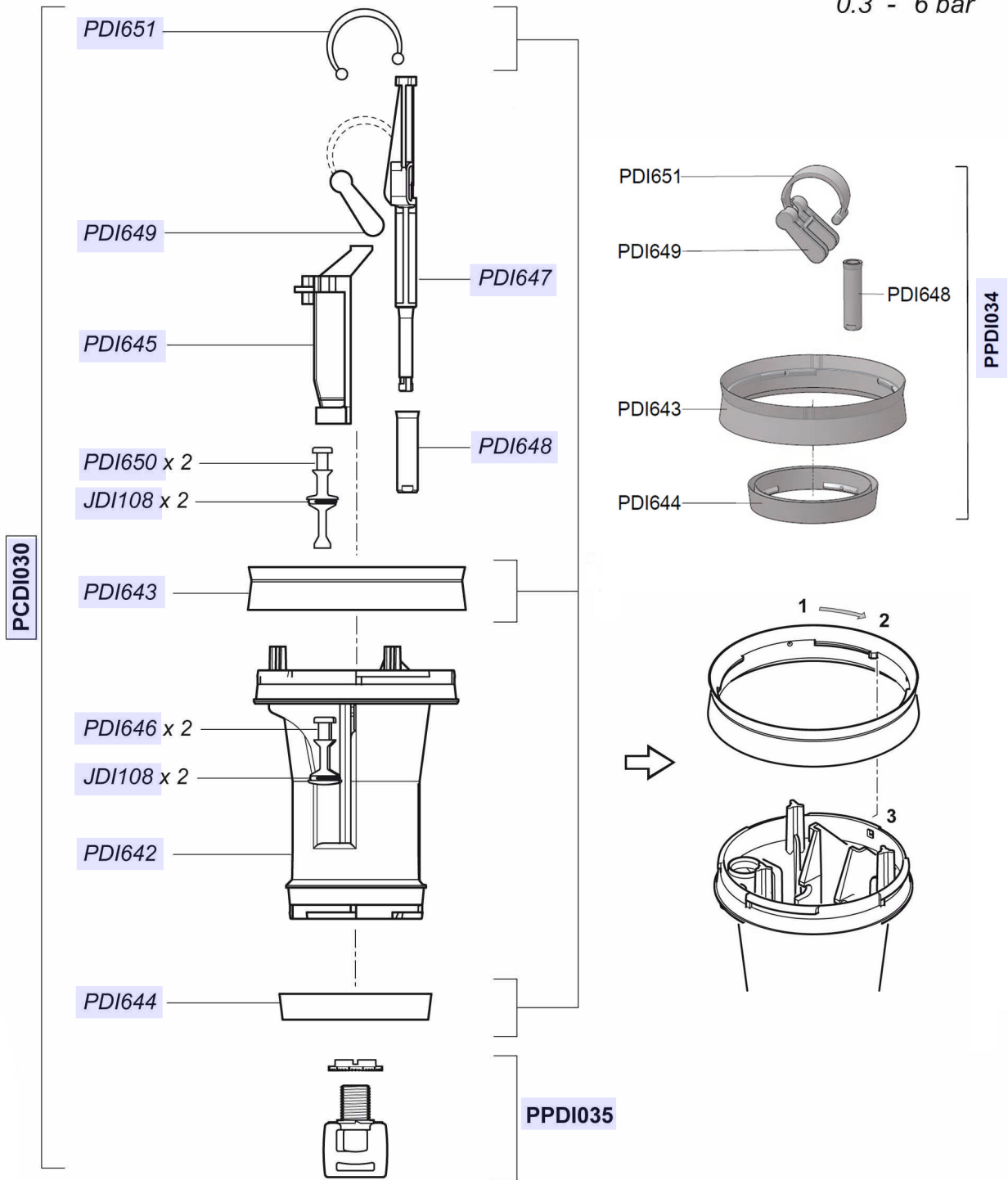
**D14MZ5-D  
Vehicle Wash**

14 GPM - 1:200 - 1:20  
3 m<sup>3</sup>/h - 0.5 - 5 %  
4.3 - 85 psi  
0.3 - 6 bar



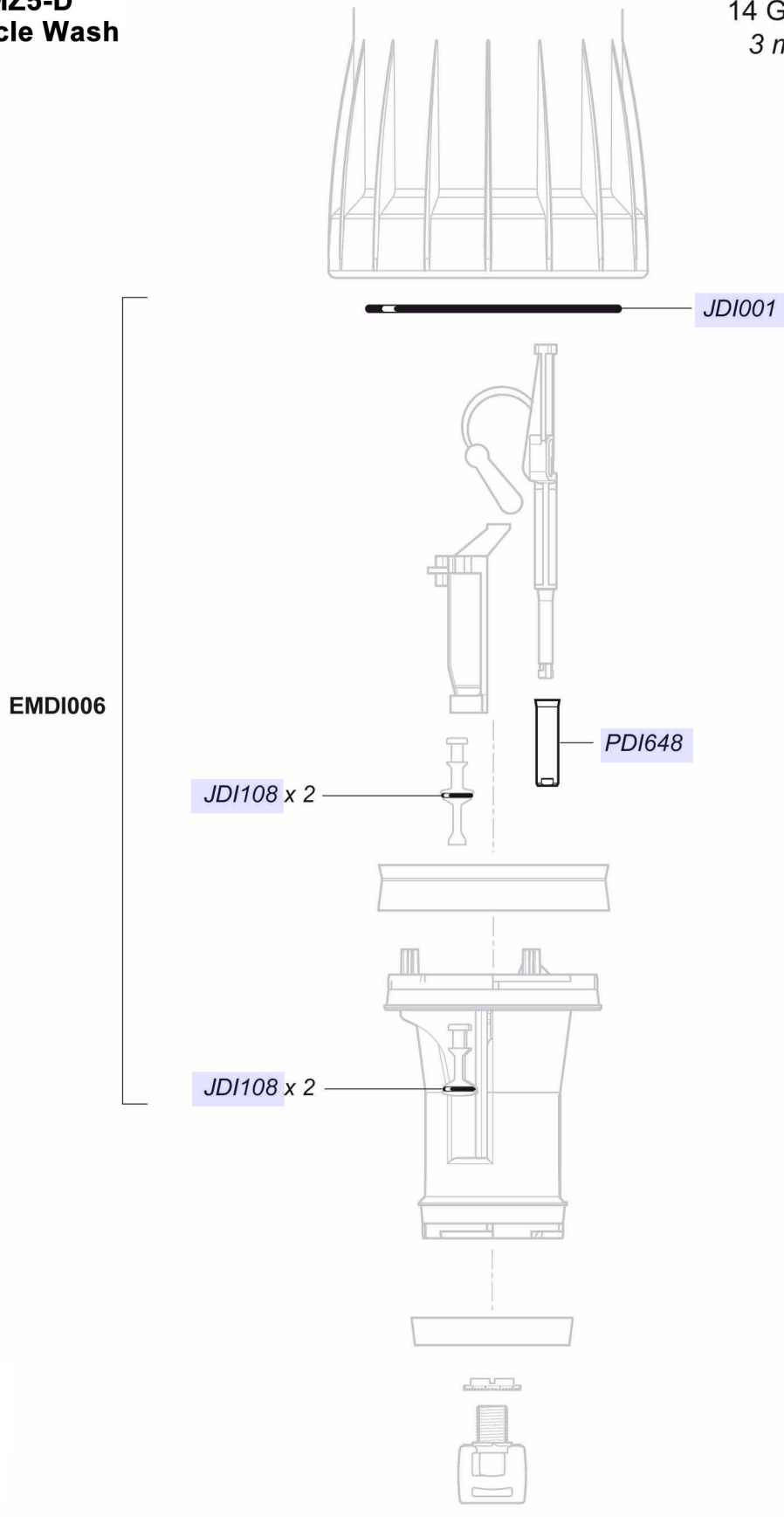
**D14MZ5-D**  
**Vehicle Wash**

14 GPM - 1:200 - 1:20  
 3 m<sup>3</sup>/h - 0.5 - 5 %  
 4.3 - 85 psi  
 0.3 - 6 bar



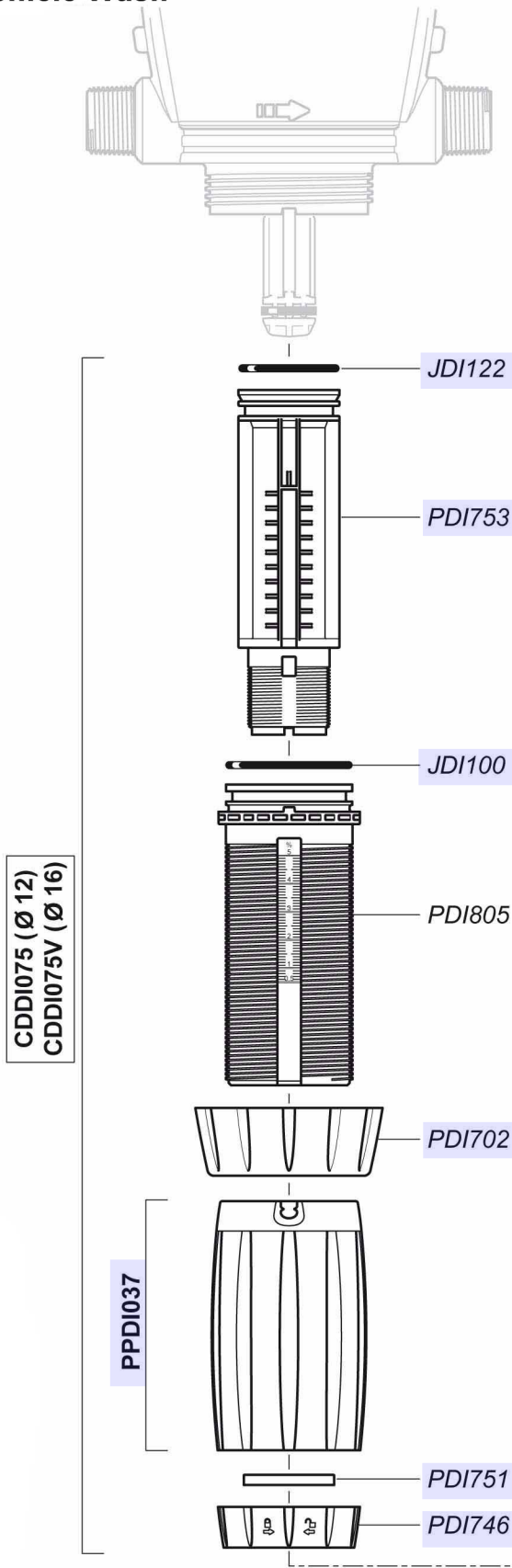
**D14MZ5-D  
Vehicle Wash**

14 GPM - 1:200 - 1:20  
3 m<sup>3</sup>/h - 0.5 - 5 %  
4.3 - 85 psi  
0.3 - 6 bar

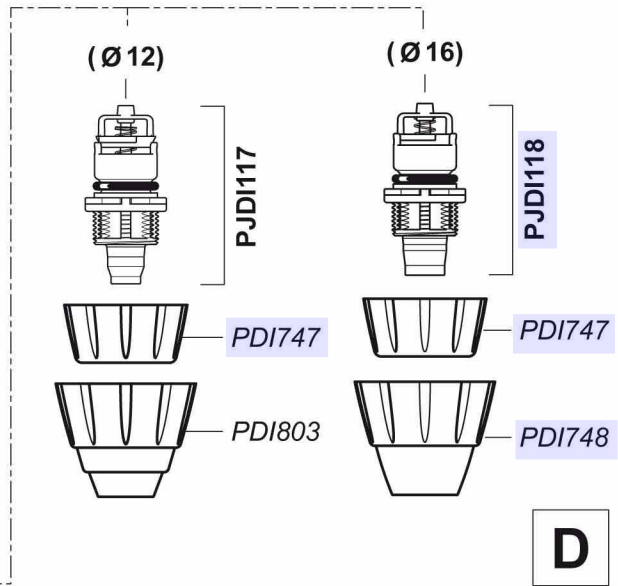


**D14MZ5-D  
Vehicle Wash**

14 GPM - 1:200 - 1:20  
 3 m<sup>3</sup>/h - 0.5 - 5 %  
 4.3 - 85 psi  
 0.3 - 6 bar



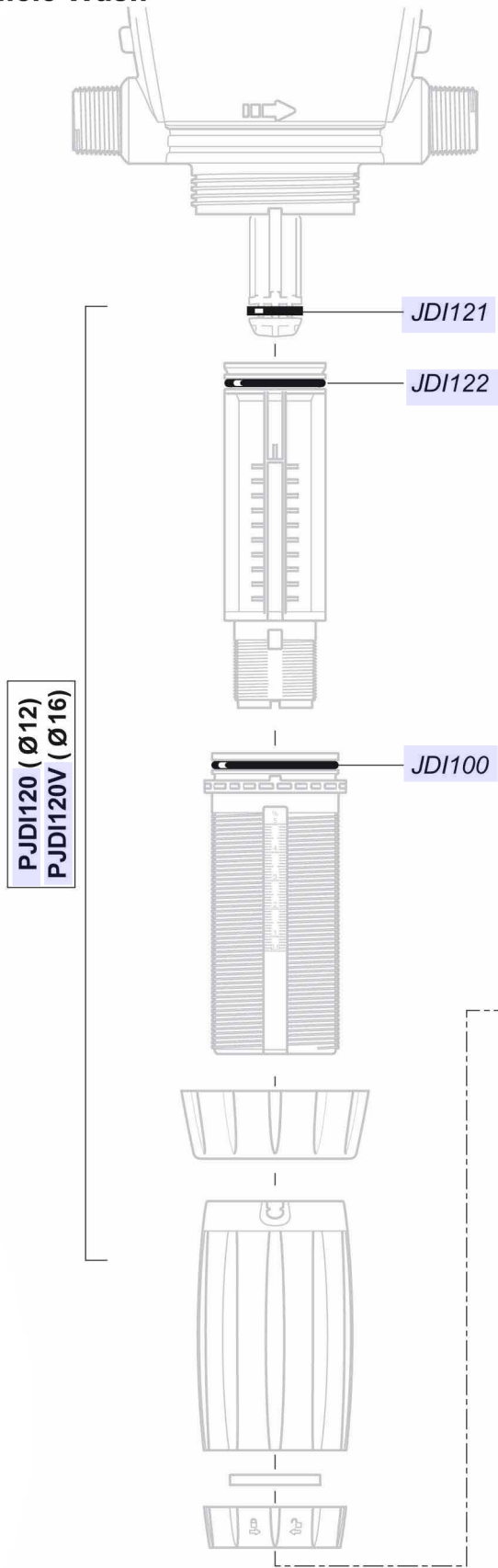
**Option "V"**



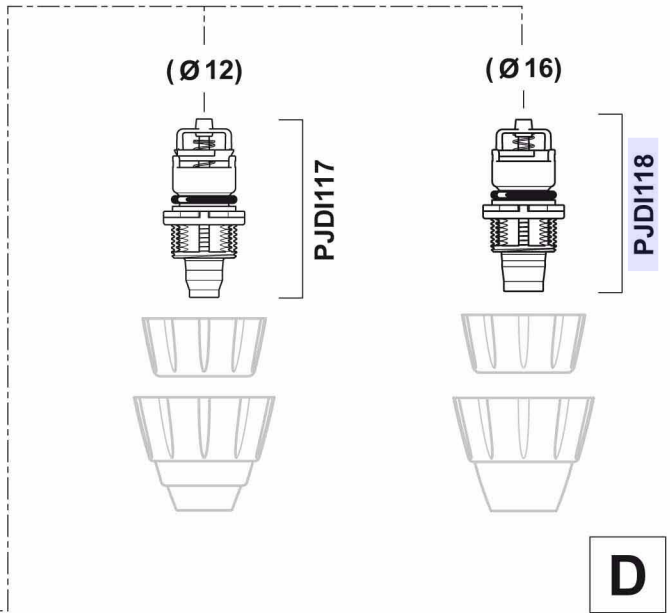


# D14MZ5-D Vehicle Wash

14 GPM - 1:200 - 1:20  
3 m<sup>3</sup>/h - 0.5 - 5 %  
4.3 - 85 psi  
0.3 - 6 bar



## Option "V"



**D14MZ5-D  
Vehicle Wash**

14 GPM - 1:200 - 1:20  
3 m<sup>3</sup>/h - 0.5 - 5 %  
4.3 - 85 psi  
0.3 - 6 bar

