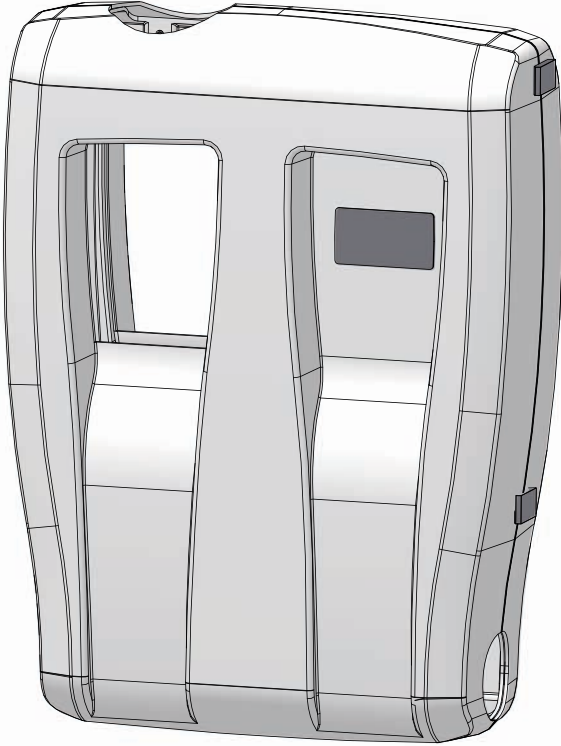


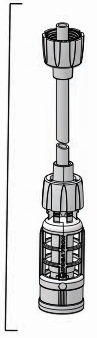
# D30 0.003 - 0.03%

30m<sup>3</sup>/h - 0.003 - 0.03%  
132 GPM - 1: 30000 - 1: 3000  
0.5 - 6 bar  
7.25 - 87 psi

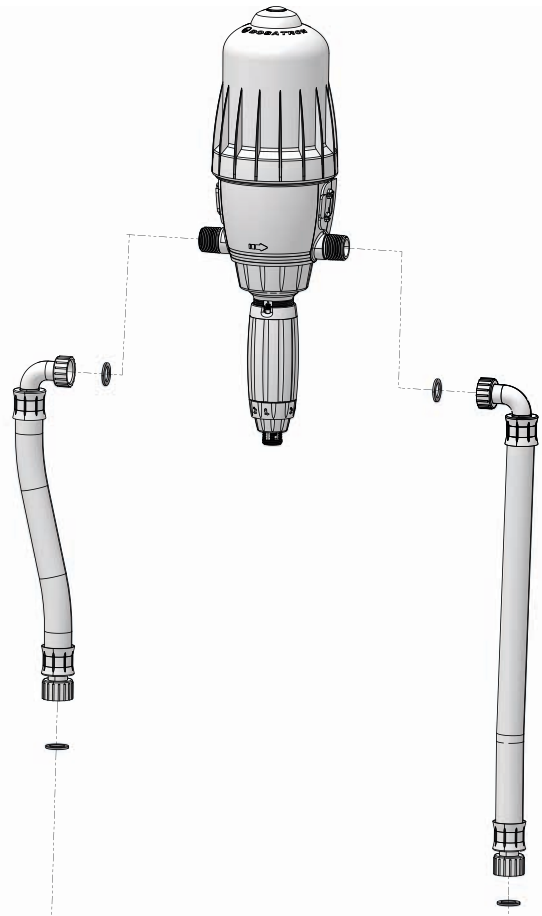
PJDI176



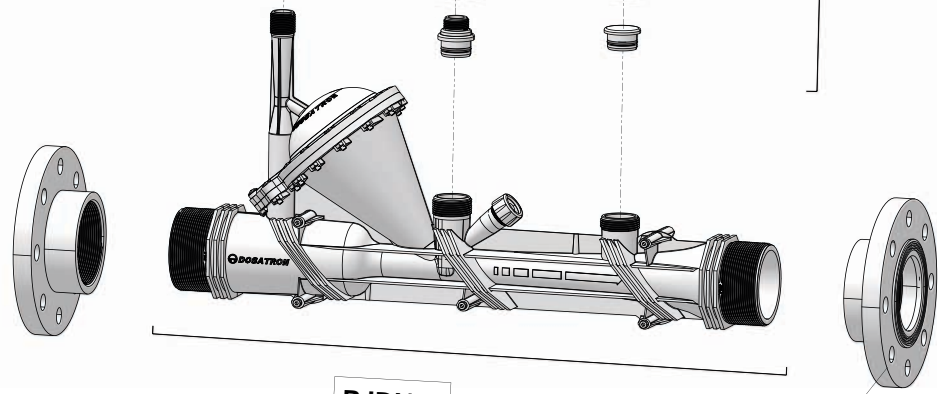
MPDI226



PJDI182



PJDI177



PDI1043 X 2

# D30 0.003 - 0.03%

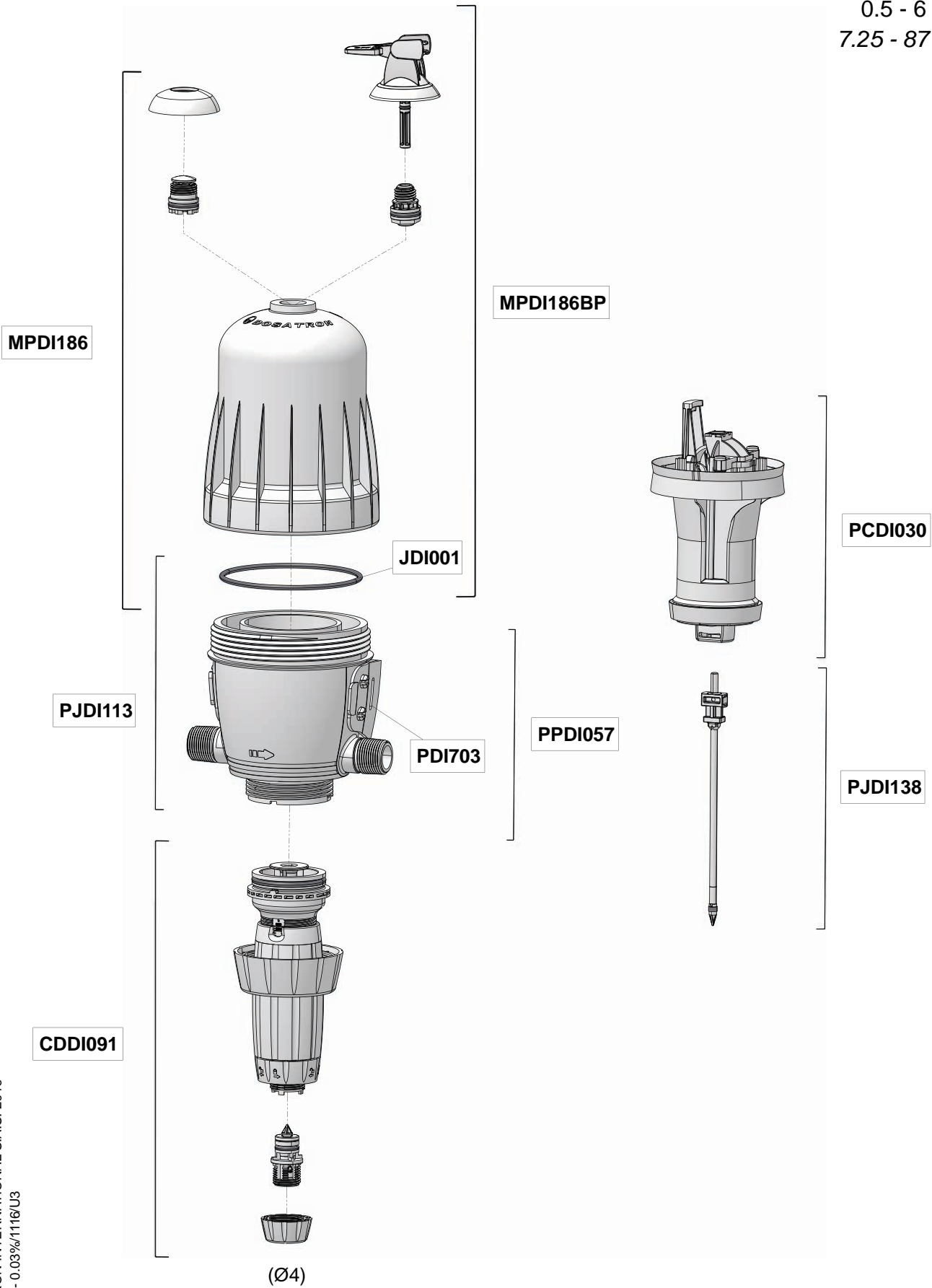
30m<sup>3</sup>/h - 0.003 - 0.03%  
132 GPM - 1: 30000 - 1: 3000  
0.5 - 6 bar  
7.25 - 87 psi

EMDI009



# D30 0.003 - 0.03%

30m<sup>3</sup>/h - 0.003 - 0.03%  
132 GPM - 1: 30000 - 1: 3000  
0.5 - 6 bar  
7.25 - 87 psi



# D30 0.003 - 0.03%

30m<sup>3</sup>/h - 0.003 - 0.03%  
132 GPM - 1: 30000 - 1: 3000  
0.5 - 6 bar  
7.25 - 87 psi

CDDI091

PJD1139

(Ø4)

(Ø4)

