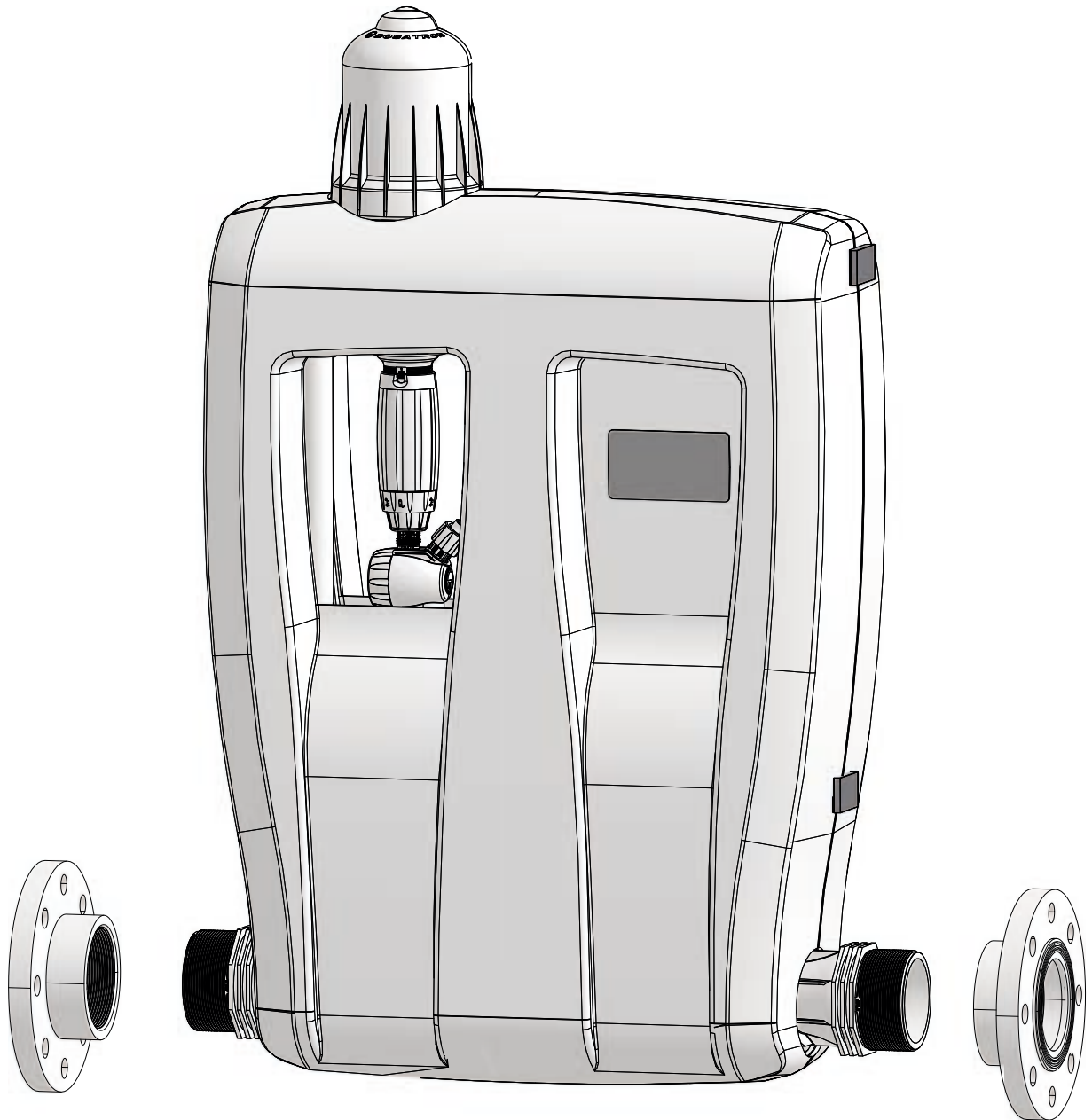


D30 0.003 - 0.03% IE

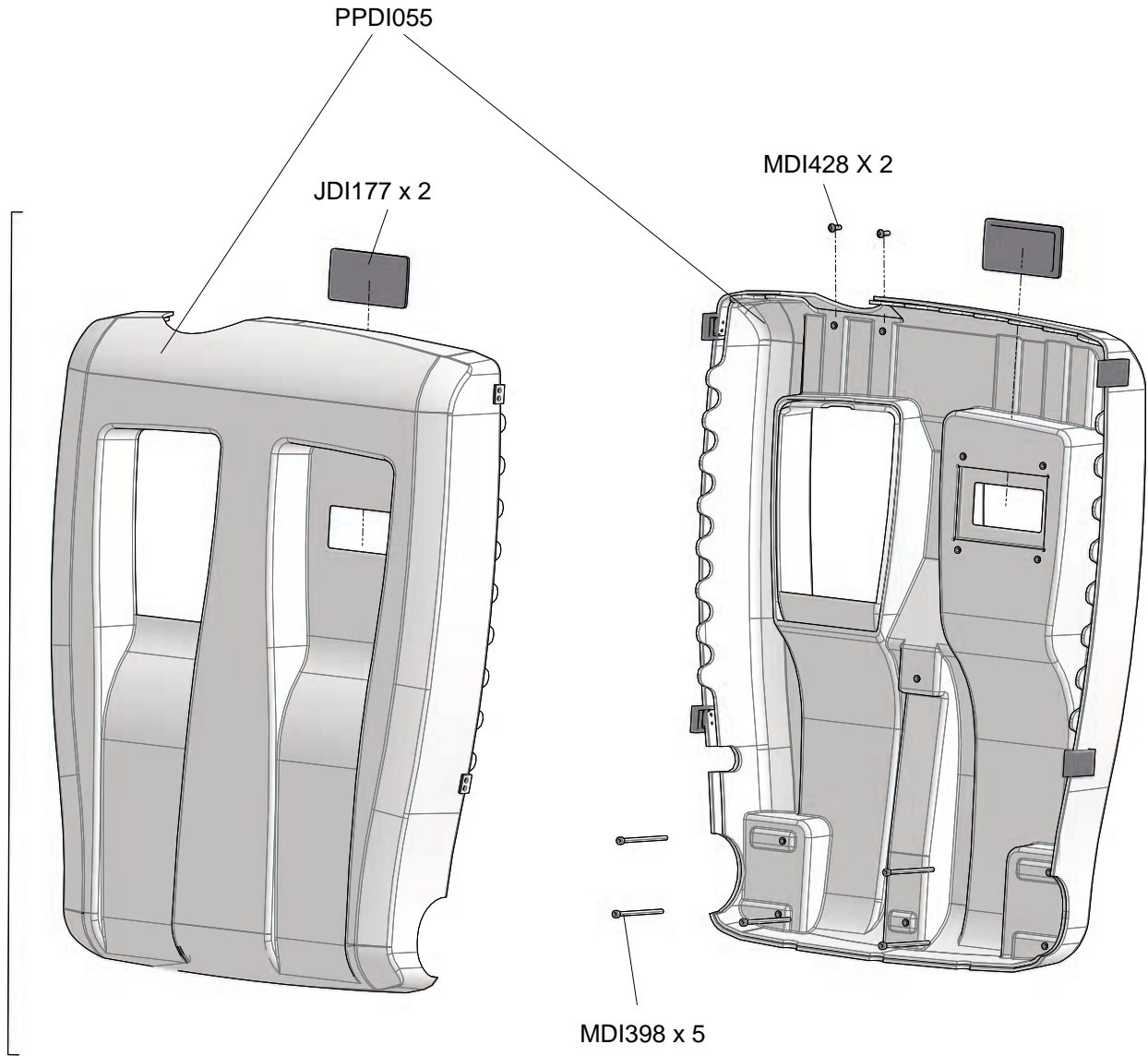
30m³/h - 0.003 - 0.03%
132 GPM - 1: 30000 - 1: 3000
0.5 - 6 bar
7.25 - 87 psi



D30 0.003 - 0.03% IE

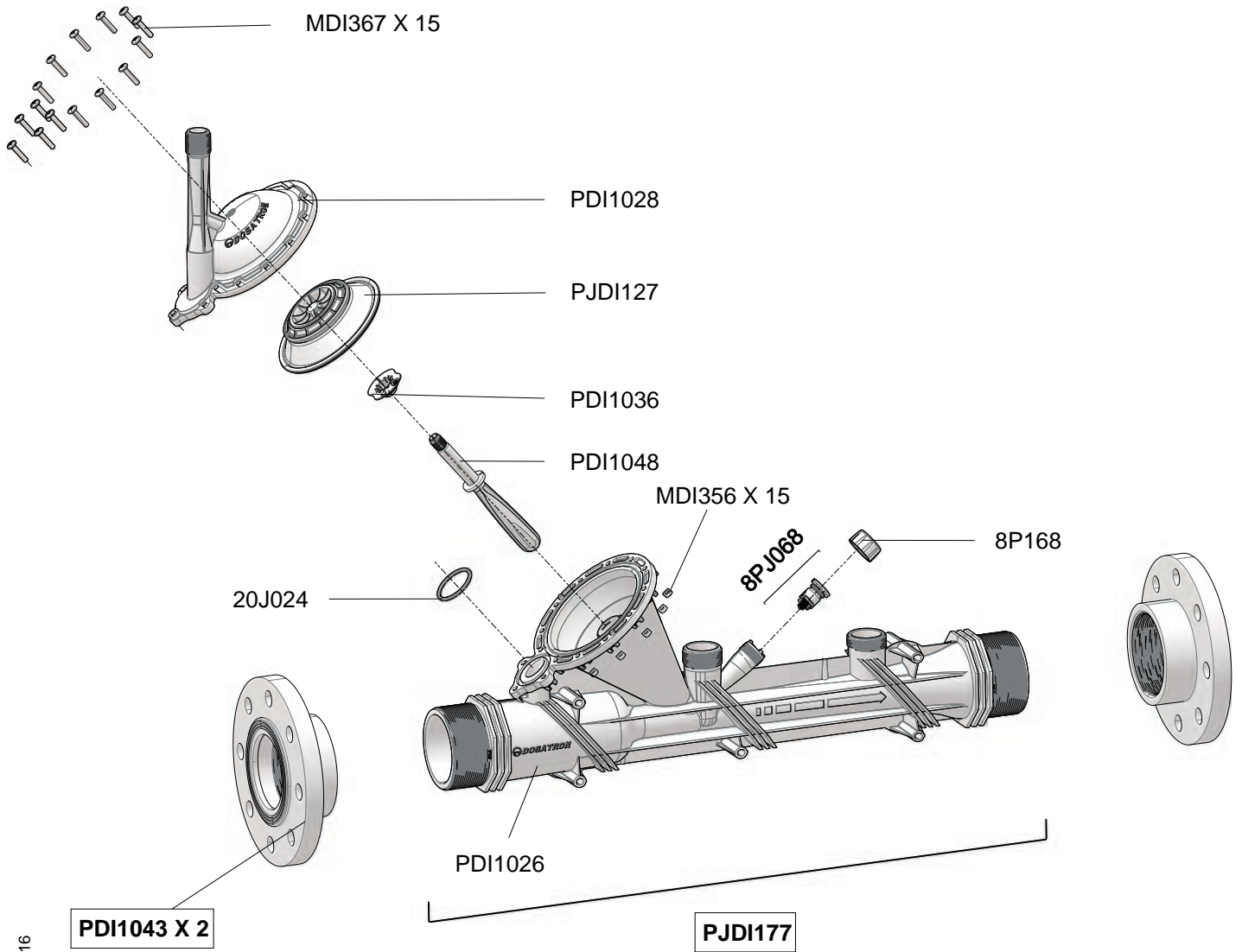
30m³/h - 0.003 - 0.03%
132 GPM - 1:30000 - 1:3000
0.5 - 6 bar
7.25 - 87 psi

PJDI176



D30 0.003 - 0.03% IE

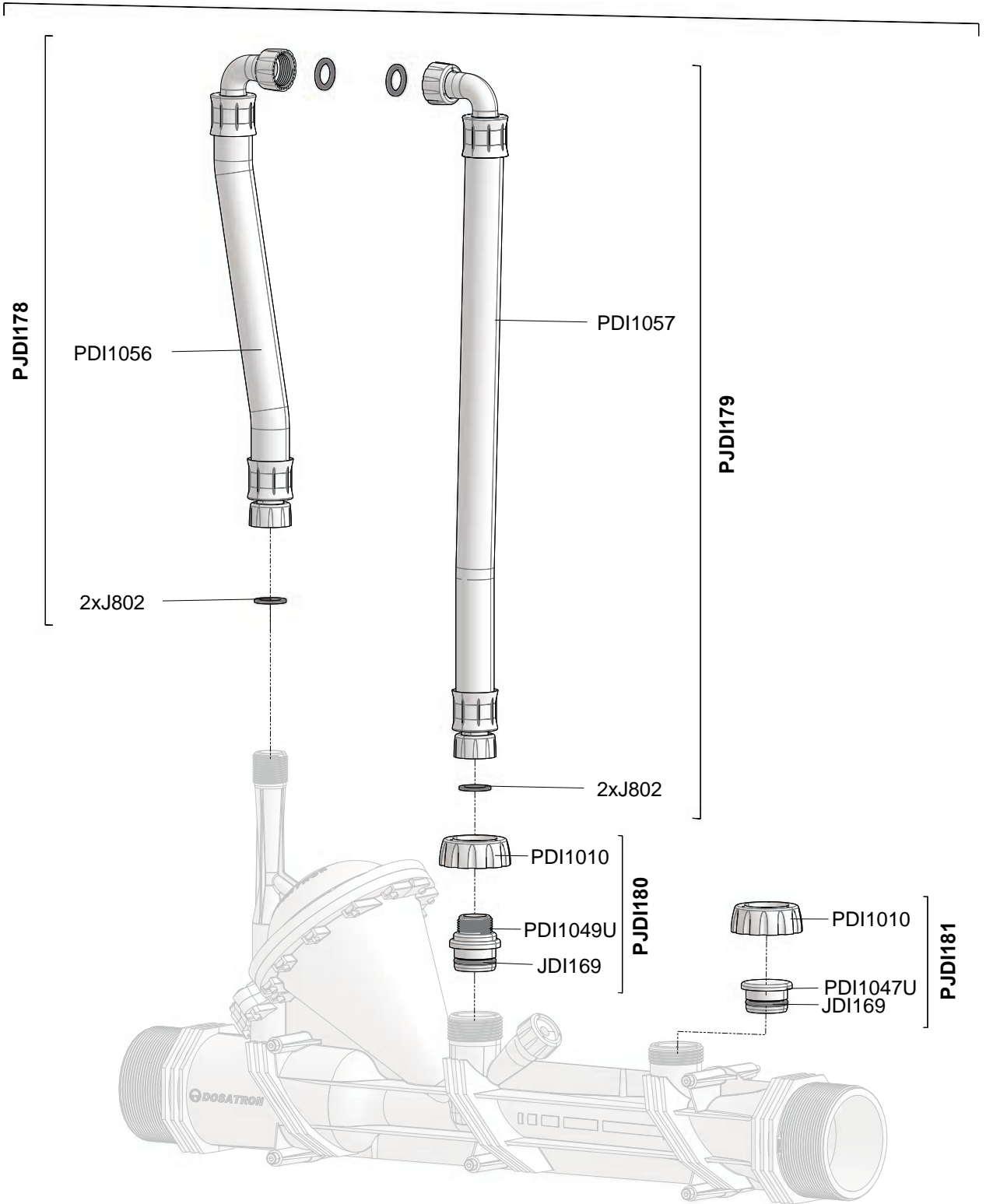
30m³/h - 0.003 - 0.03%
32 GPM - 1:30000 - 1:3000
0.5 - 6 bar
7.25 - 87 psi



D30 0.003 - 0.03% IE

30m³/h - 0.003 - 0.03%
32 GPM - 1:30000 - 1:3000
0.5 - 6 bar
7.25 - 87 psi

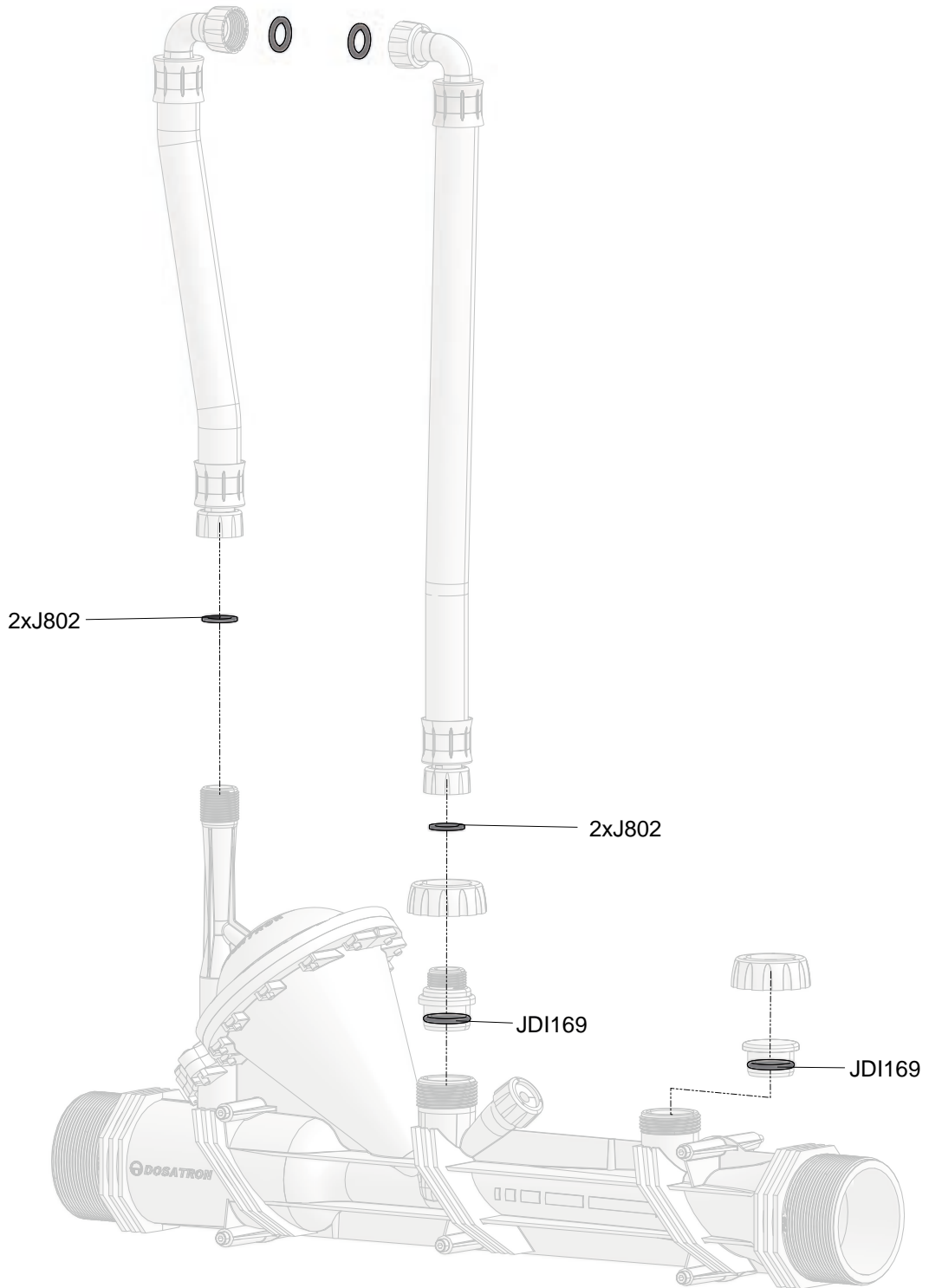
PJDI182



D30 0.003 - 0.03% IE

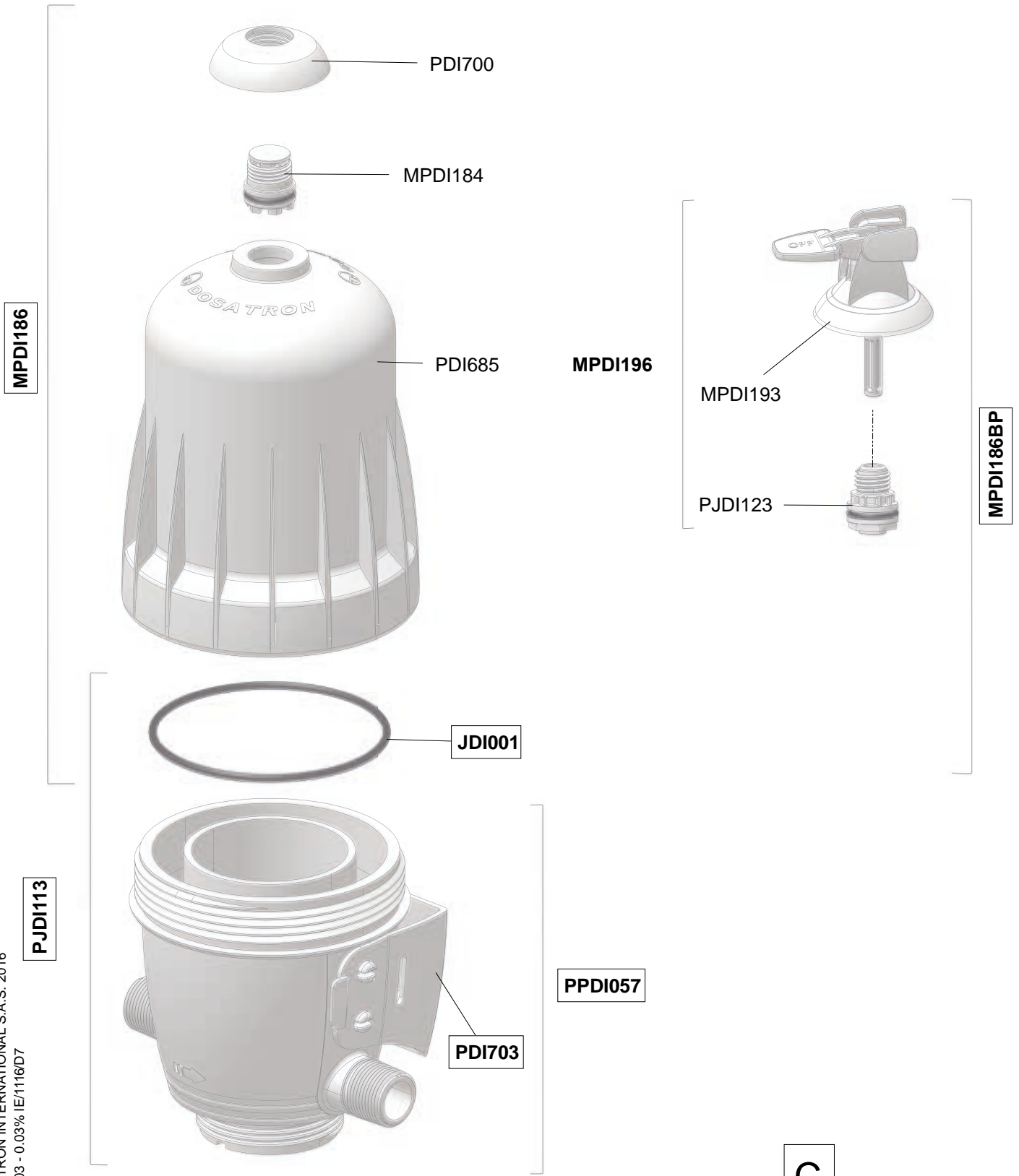
30m³/h - 0.003 - 0.03%
32 GPM - 1:30000 - 1:3000
0.5 - 6 bar
7.25 - 87 psi

EMDI009



D30 0.003 - 0.03% IE

30m³/h - 0.003 - 0.03%
132 GPM - 1: 30000 - 1: 3000
0.5 - 6 bar
7.25 - 87 psi



D30 0.003 - 0.03% IE

30m³/h - 0.003 - 0.03%
132 GPM - 1: 30000 - 1: 3000
0.5 - 6 bar
7.25 - 87 psi

PCDI030

PJDI138

PDI921

JDI148

2

90°

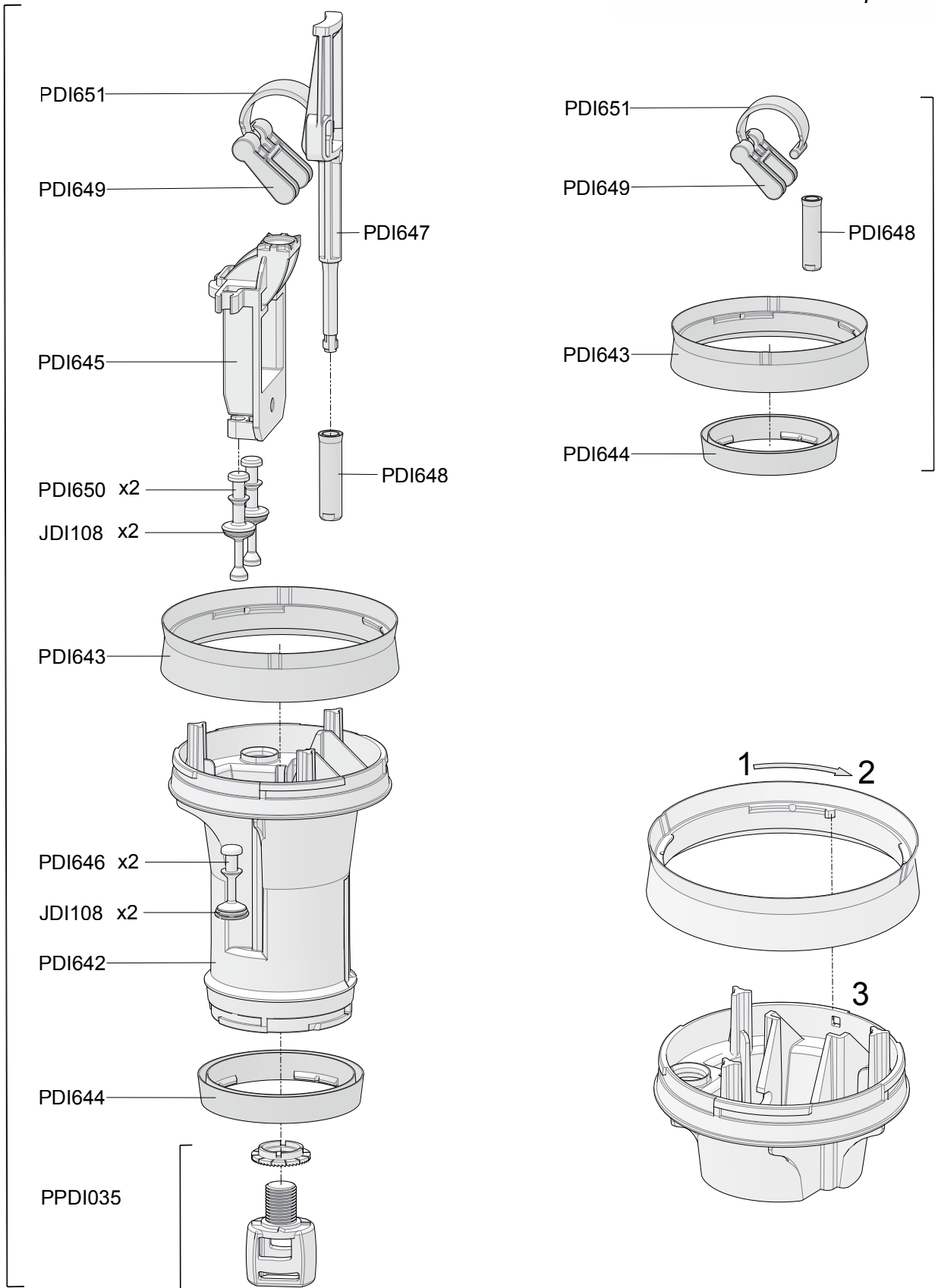
1

D30 0.003 - 0.03% IE

30m³/h - 0.003 - 0.03%
 132 GPM - 1: 30000 - 1: 3000
 0.5 - 6 bar
 7.25 - 87 psi

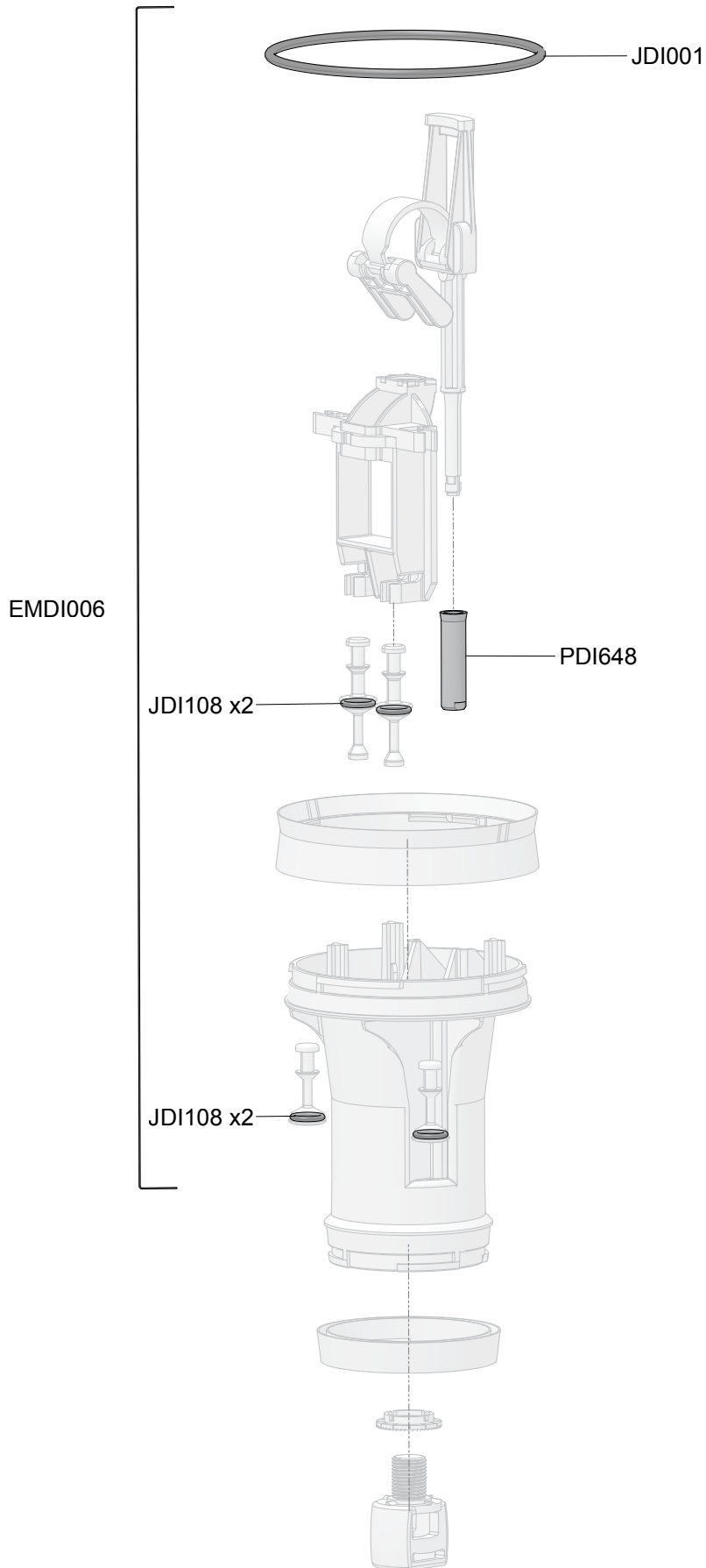
PCDI030

PPDI034



D30 0.003 - 0.03% IE

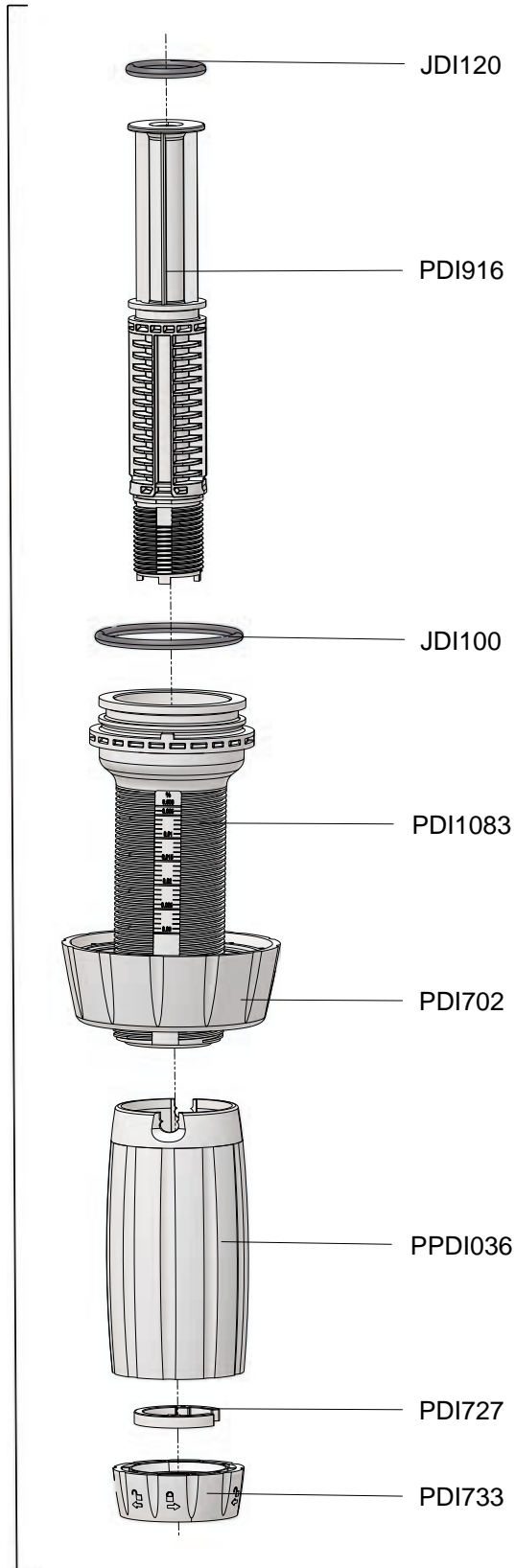
30m³/h - 0.003 - 0.03%
132 GPM - 1: 30000 - 1: 3000
0.5 - 6 bar
7.25 - 87 psi



D30 0.003 - 0.03% IE

30m³/h - 0.003 - 0.03%
132 GPM - 1: 30000 - 1: 3000
0.5 - 6 bar
7.25 - 87 psi

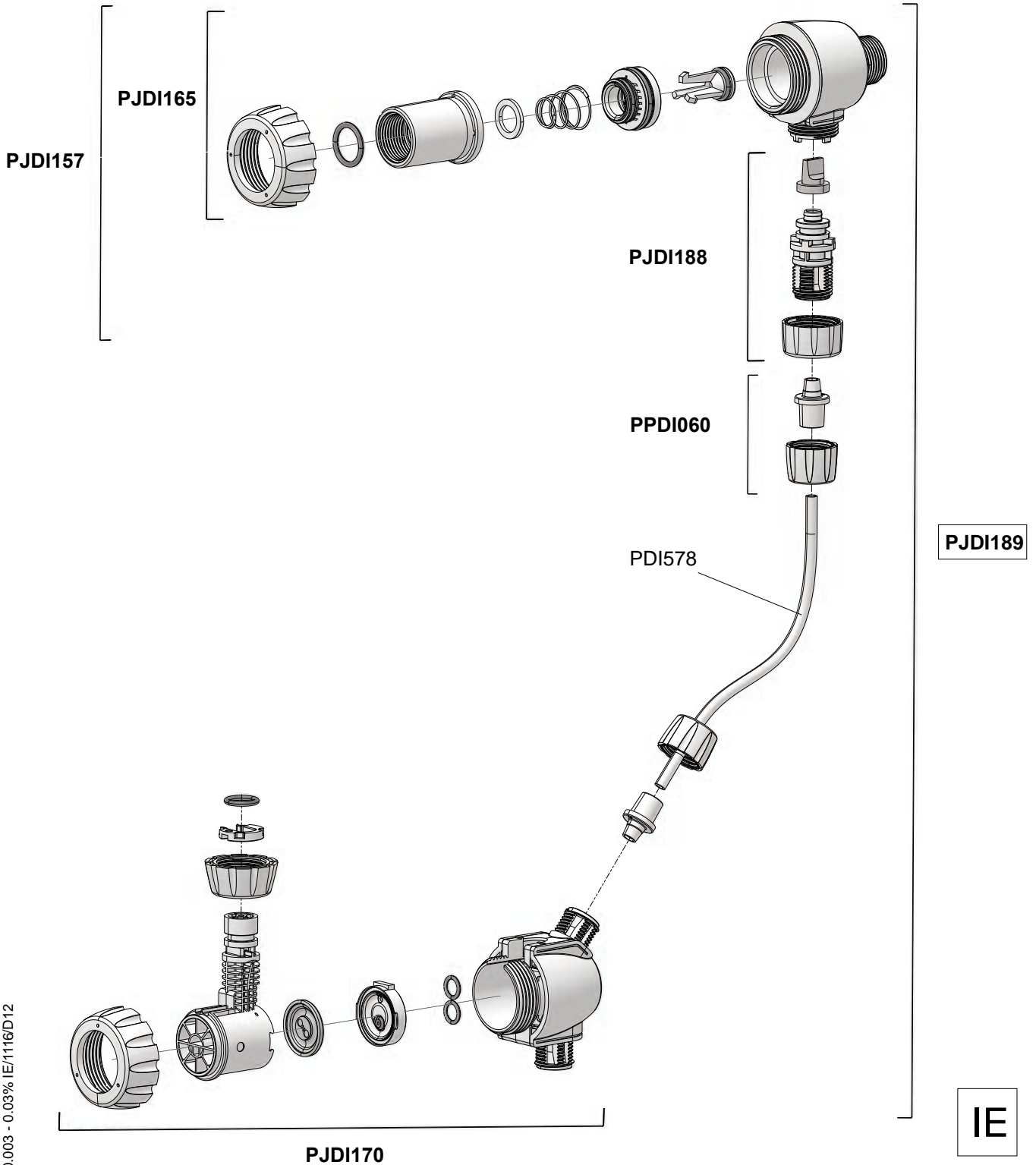
CDDI092



D

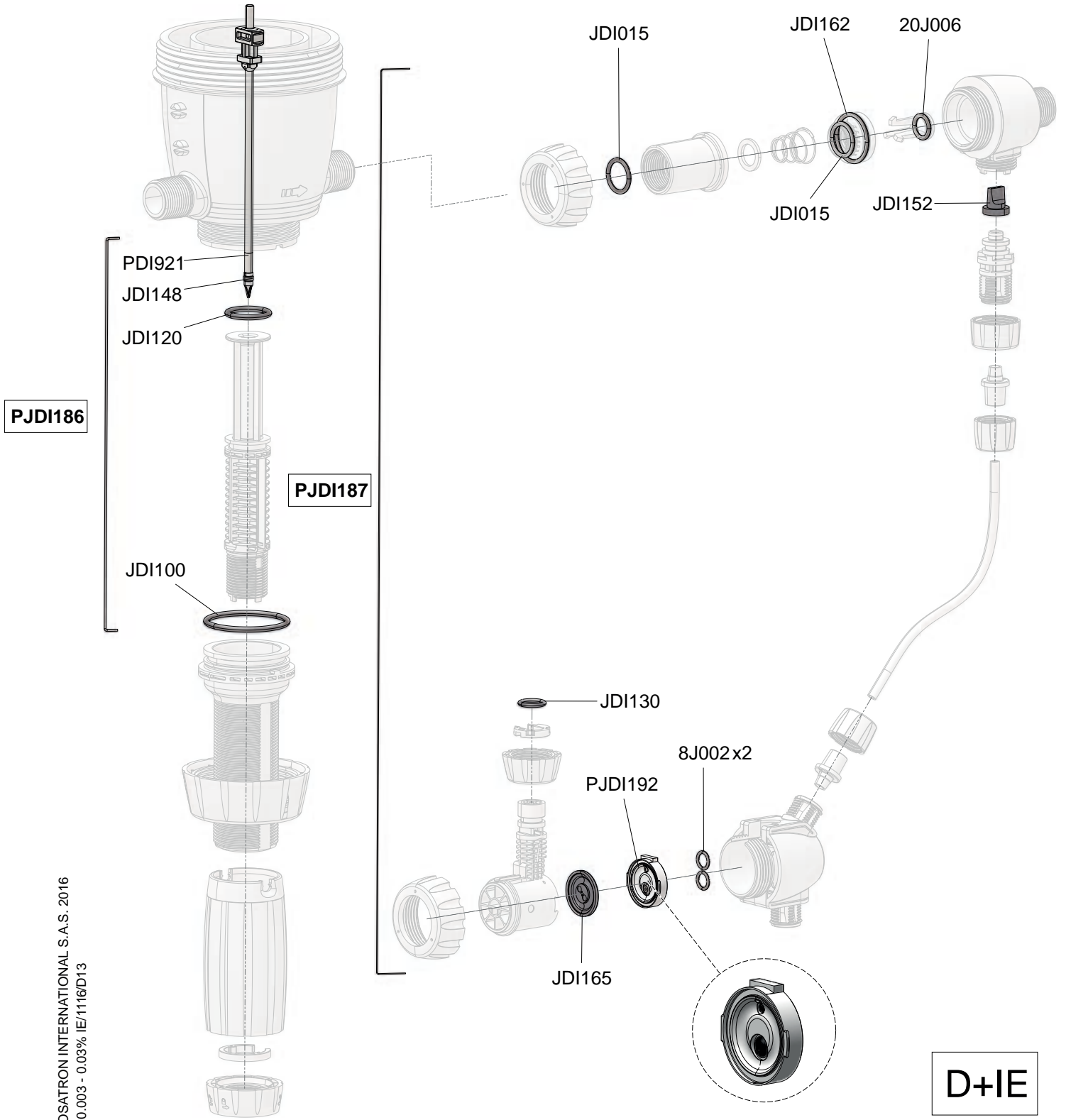
D30 0.003 - 0.03% IE

30m³/h - 0.003 - 0.03%
132 GPM - 1: 30000 - 1: 3000
0.5 - 6 bar
7.25 - 87 psi



D30 0.003 - 0.03% IE

30m³/h - 0.003 - 0.03%
132 GPM - 1: 30000 - 1: 3000
0.5 - 6 bar
7.25 - 87 psi



D30 0.003 - 0.03% IE

30m³/h - 0.003 - 0.03%
132 GPM - 1: 30 000 - 1: 3000
0.5 - 6 bar
7.25 - 87 psi

