



SCHEMATICS

Dosatron Liquid Dispenser
Model # D8RE3000 - 40 GPM
1:3000 - 1:800
2.2 - 116 PSI

Suggested Installation:

200 mesh/80 micron water filter prior to unit

One-way water hammer arrestor downstream from unit for water hammer protection

Suggested Maintenance Interval:

Replace injection seals every 12 months

DOSATRON SALES & SERVICE - NORTH & CENTRAL AMERICA

Dosatron International, Inc.

Phone: 727-443-5404 Service: (800) 523-8499

Fax: 727-447-0591



DOSATRON®

WATER POWERED DOSING TECHNOLOGY

SCHEMATICS

Dosatron Liquid Dispenser **Model # D8RE3000 - 40 GPM**

1:3000 - 1:800

2.2 - 116 PSI

Suggested Installation:

200 mesh/80 micron water filter prior to unit

One-way water hammer arrestor downstream from unit for water hammer protection

Suggested Maintenance Interval:

Replace injection seals every 12 months

DOSATRON SALES & SERVICE - NORTH & CENTRAL AMERICA

Dosatron International, Inc.

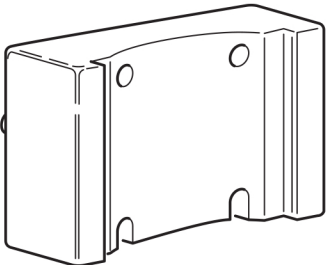
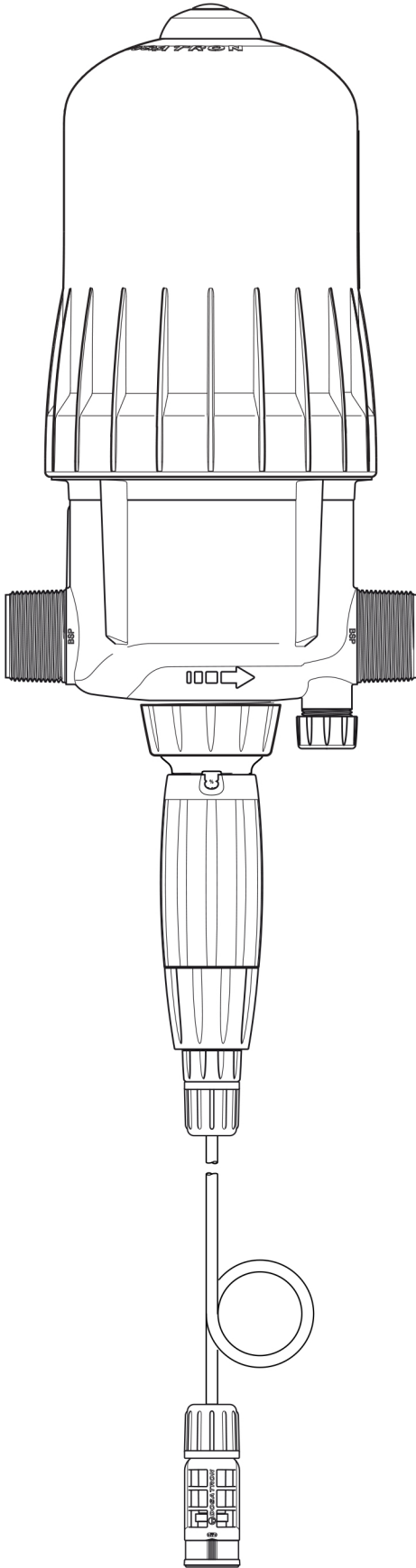
Phone: 727-443-5404 Service: (800) 523-8499

Fax: 727-447-0591

www.dosatronUSA.com

D8RE3000

8 m³/h - 0.03 - 0.125%
40 GPM - 1:3000 - 1:800
0.15 - 8 bar
2.2 - 116 psi

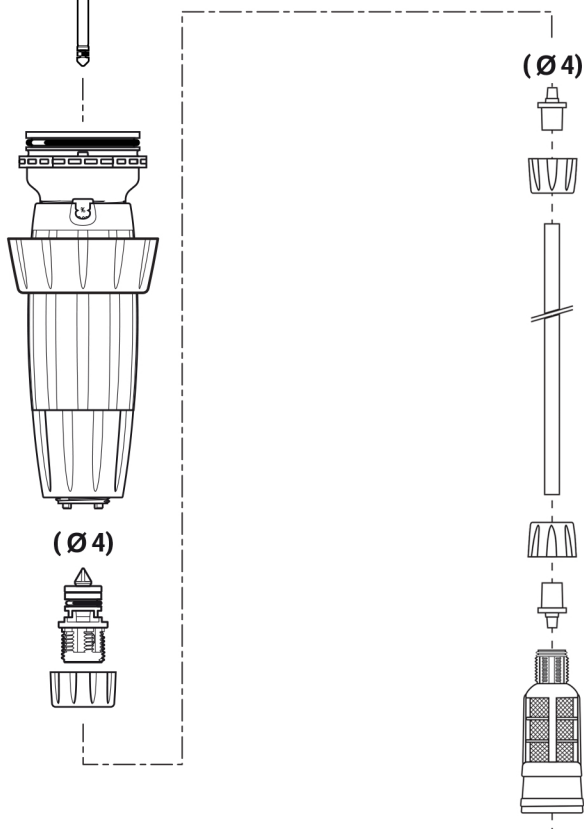
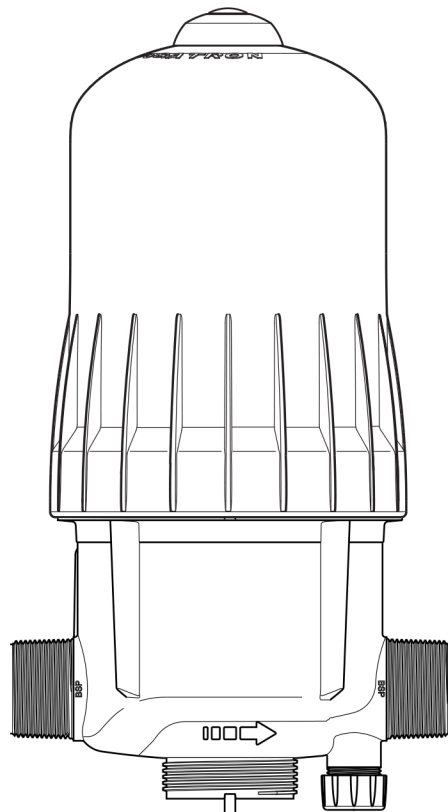


Seal Kit Part # 8PJ075

© DOSATRON INTERNATIONAL S.A.S. 2014
D8RE3000/1014/D1

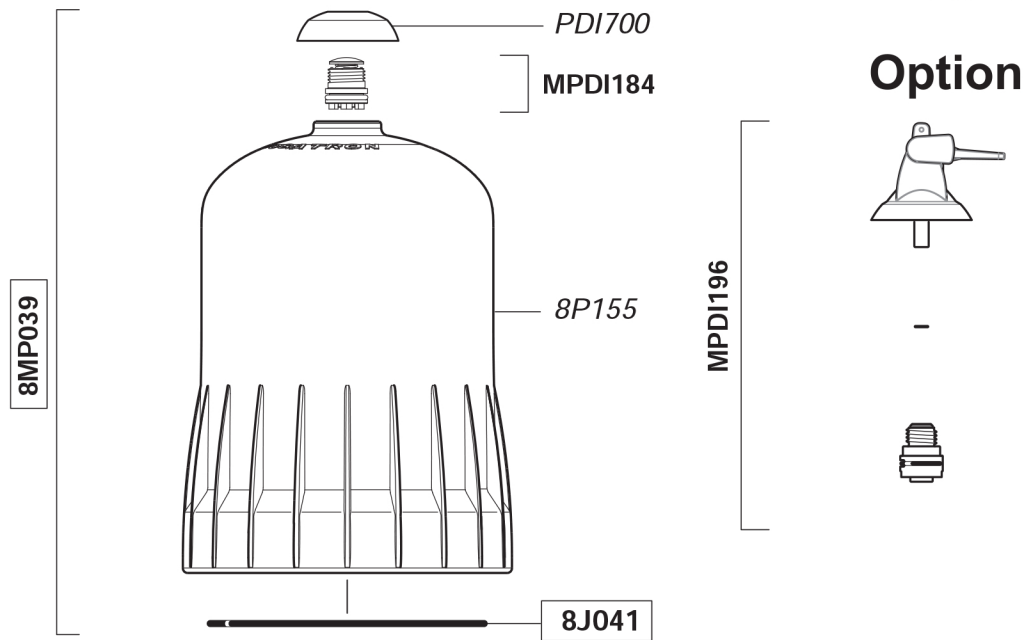
D8RE3000

8 m³/h - 0.03 - 0.125%
40 GPM - 1:3000 - 1:800
0.15 - 8 bar
2.2 - 116 psi

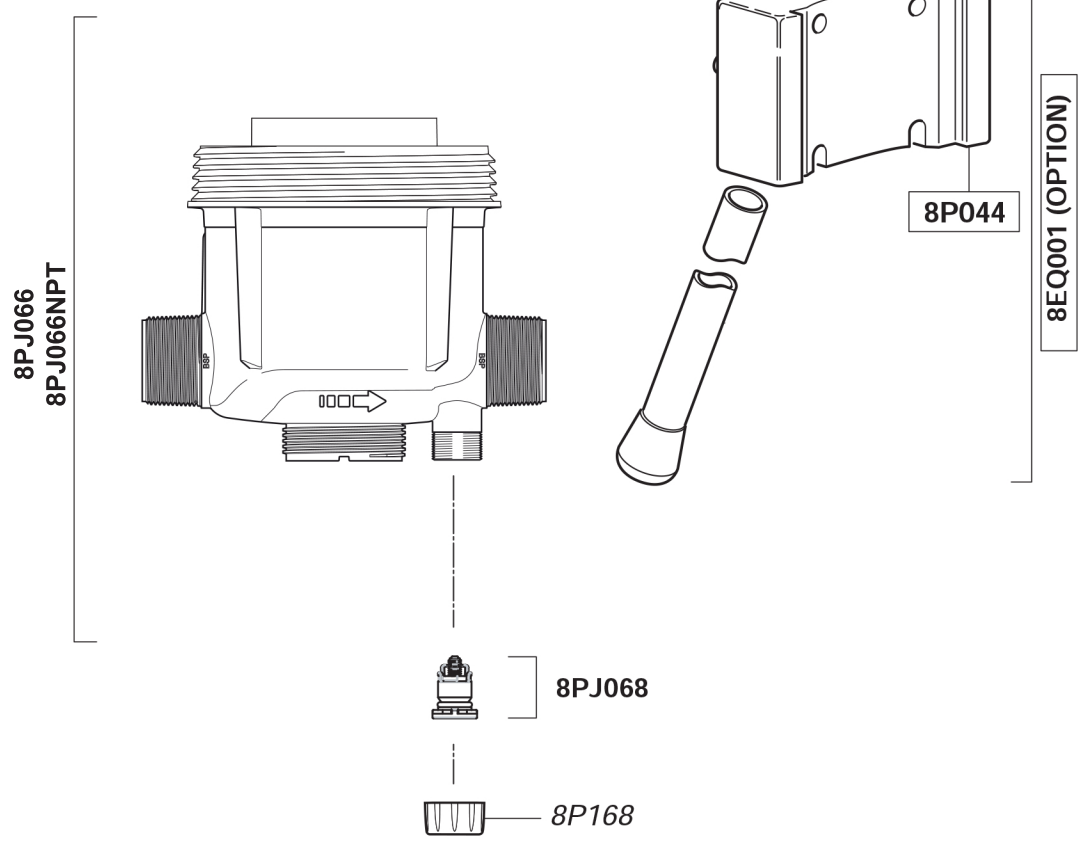
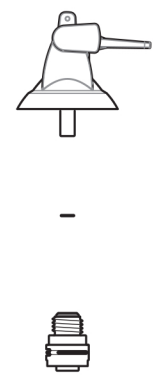


D8RE3000

8 m³/h - 0.03 - 0.125%
 40 GPM - 1:3000 - 1:800
 0.15 - 8 bar
 2.2 - 116 psi



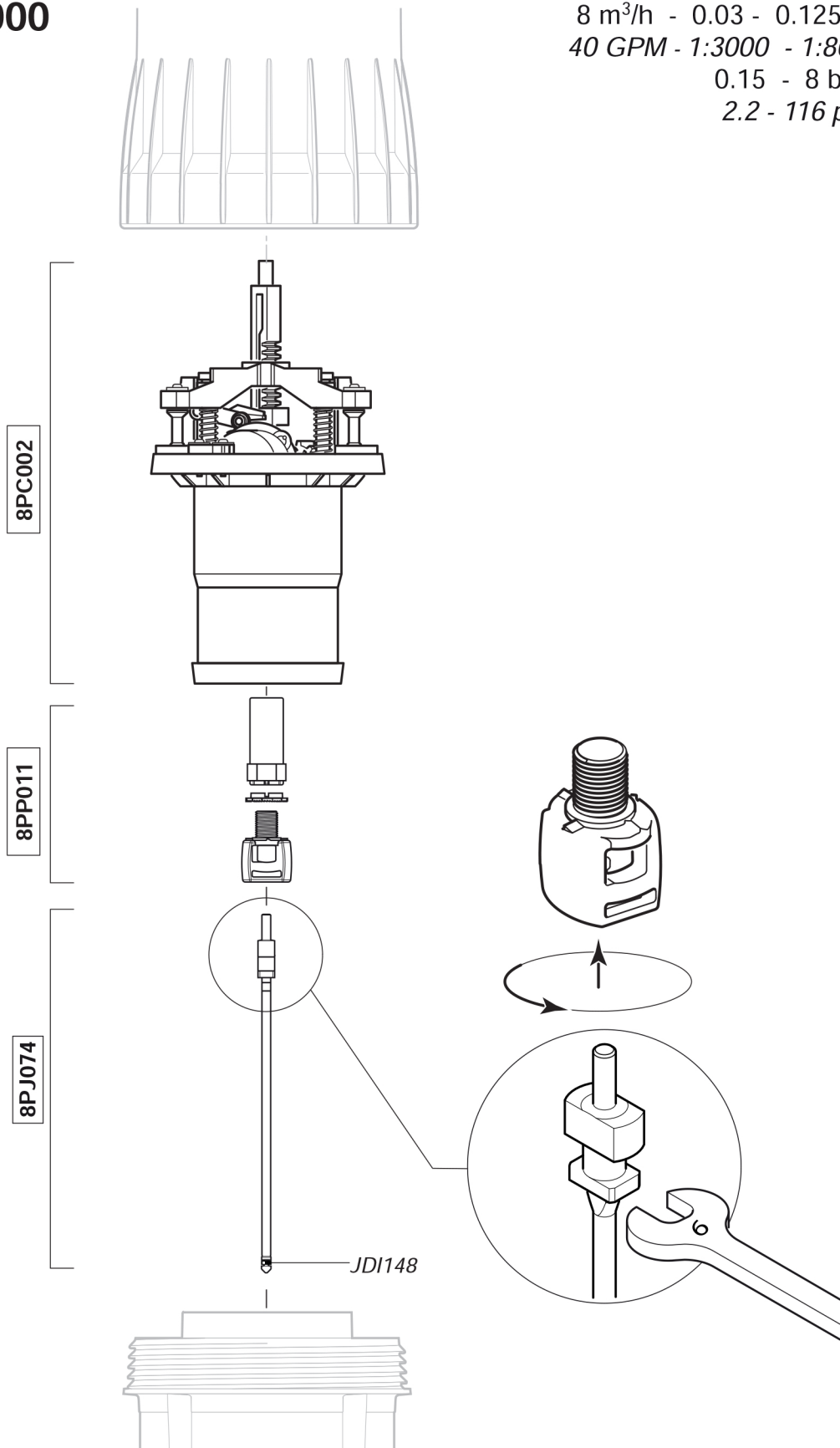
Option



© DOSATRON INTERNATIONAL S.A.S. 2014
 D8RE3000/T014/D3

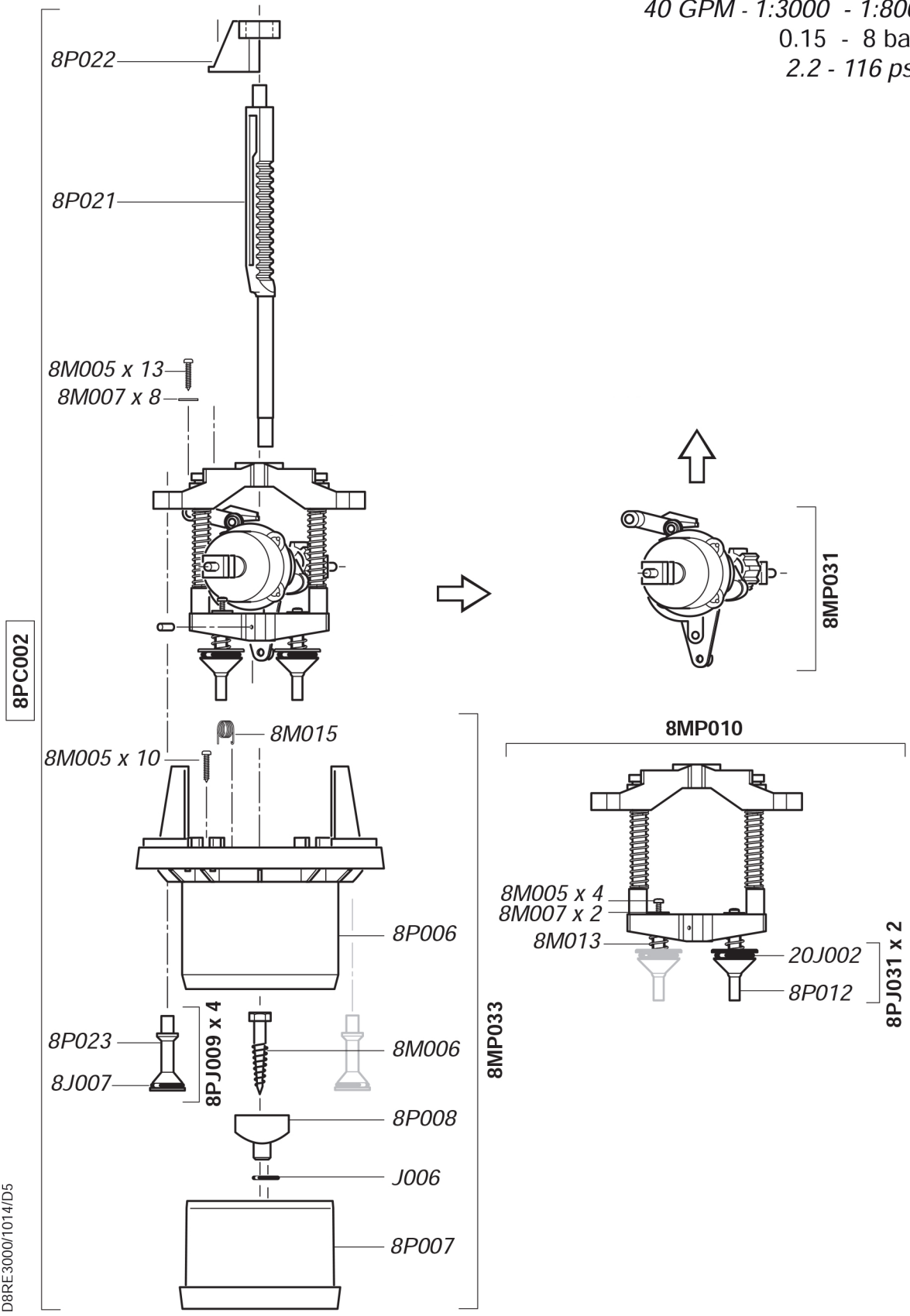
D8RE3000

8 m³/h - 0.03 - 0.125%
40 GPM - 1:3000 - 1:800
0.15 - 8 bar
2.2 - 116 psi



D8RE3000

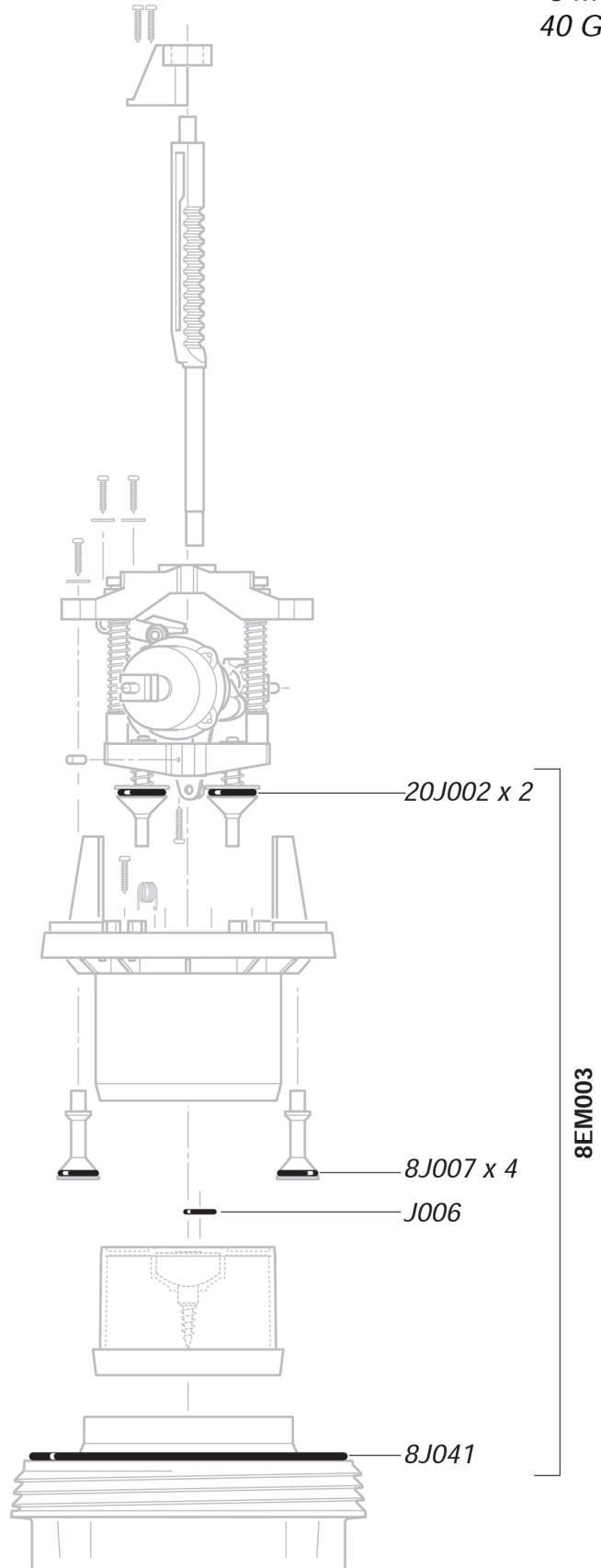
8 m³/h - 0.03 - 0.125%
 40 GPM - 1:3000 - 1:800
 0.15 - 8 bar
 2.2 - 116 psi



© DOSATRON INTERNATIONAL S.A.S. 2014
 D8RE3000/T014/D5

D8RE3000

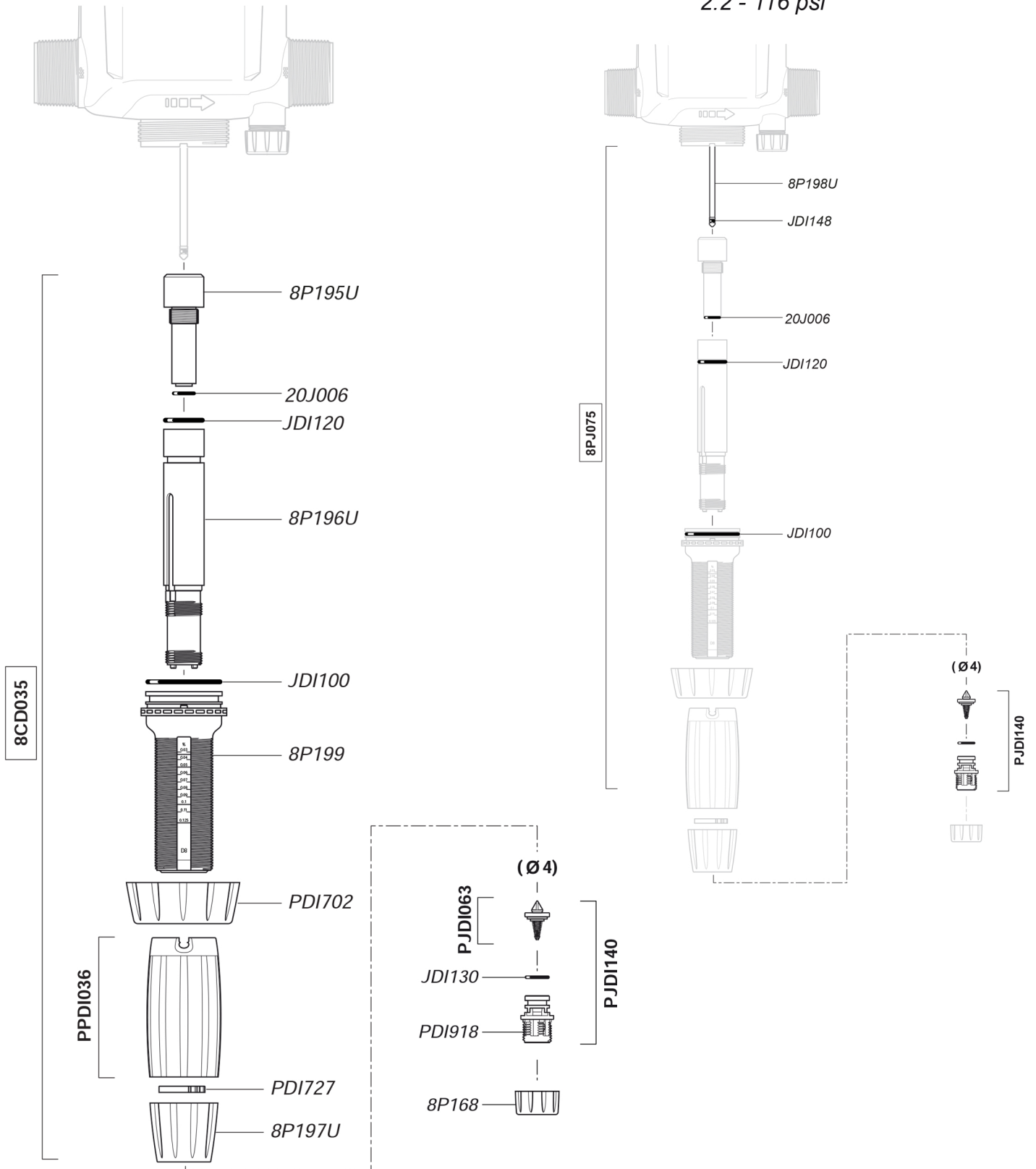
8 m³/h - 0.03 - 0.125%
40 GPM - 1:3000 - 1:800
0.15 - 8 bar
2.2 - 116 psi



© DOSATRON INTERNATIONAL S.A.S. 2014
D8RE3000/1014/D6

D8RE3000

8 m³/h - 0.03 - 0.125%
 40 GPM - 1:3000 - 1:800
 0.15 - 8 bar
 2.2 - 116 psi



D8RE3000

8 m³/h - 0.03 - 0.125%
40 GPM - 1:3000 - 1:800
0.15 - 8 bar
2.2 - 116 psi

